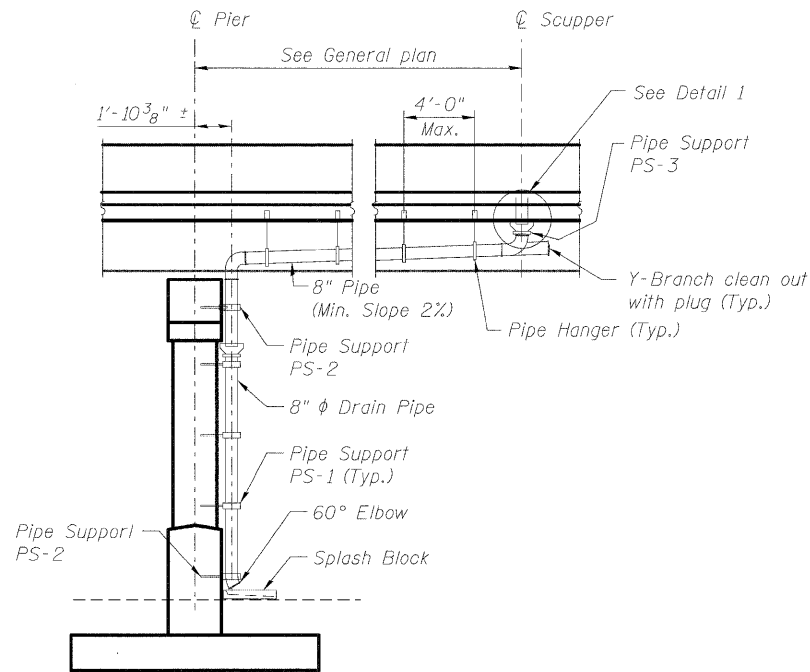
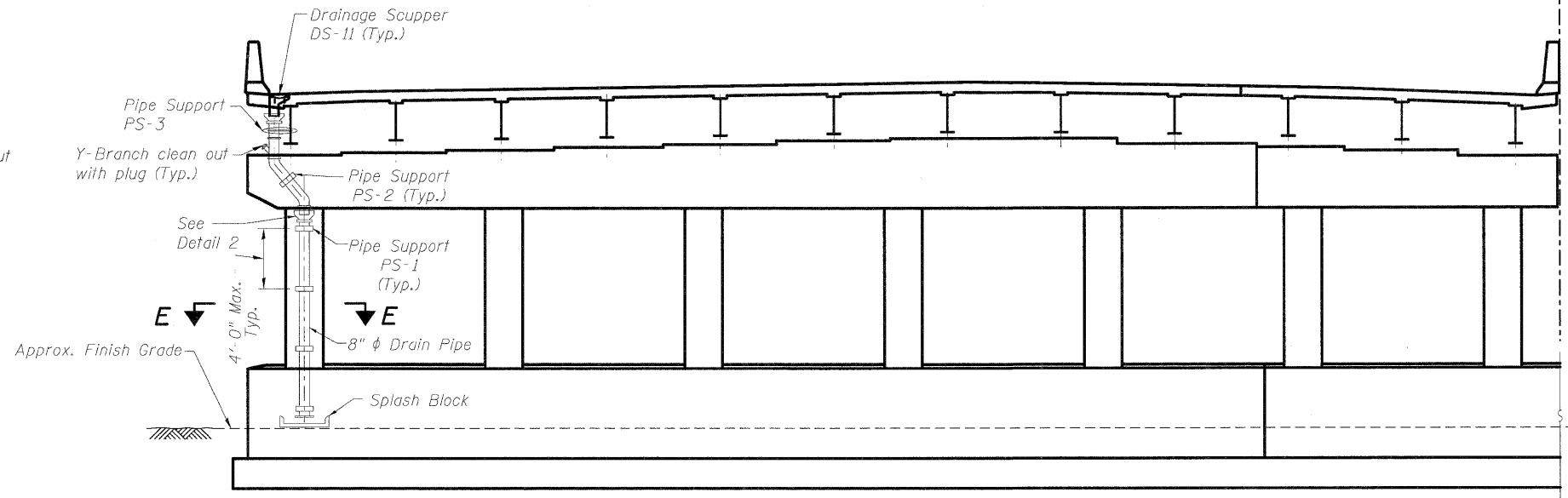


STATE OF ILLINOIS  
DEPARTMENT OF TRANSPORTATION

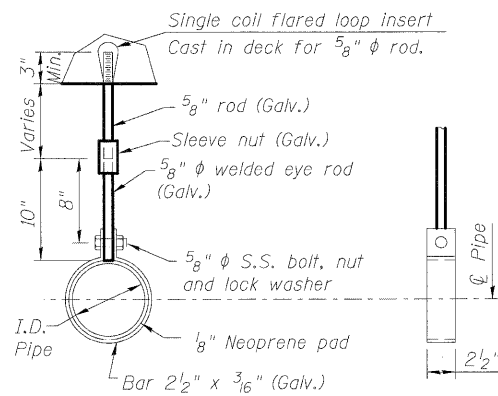
© I-57



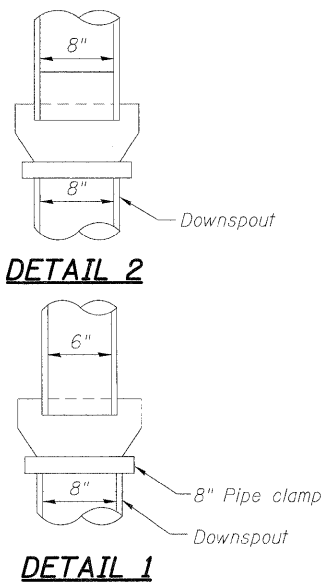
**END ELEVATION**



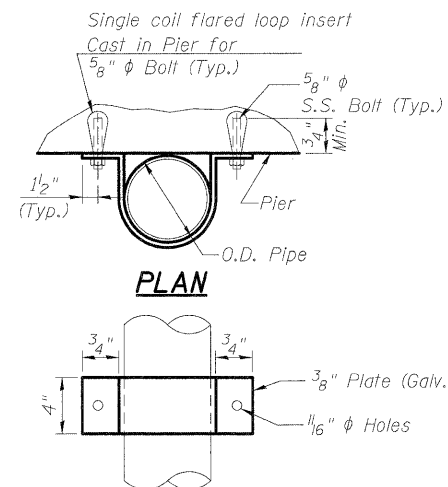
**ELEVATION  
(LOOKING WEST FOR PIER 1 SB)  
(DETAILS SIMILAR AT PIER 1 NB LOOKING WEST  
& PIER 2 SB & NB LOOKING EAST)**



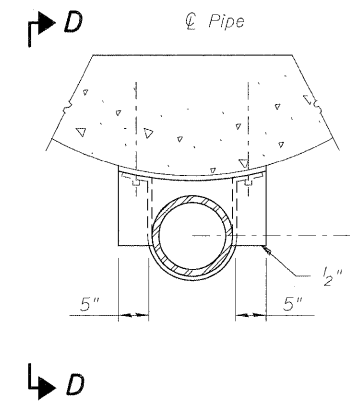
**PIPE HANGER DETAIL**



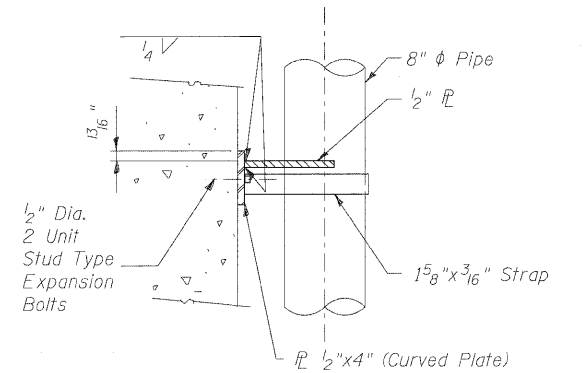
**DETAIL 1**



**ELEVATION  
PIPE SUPPORT  
DETAIL PS-2**

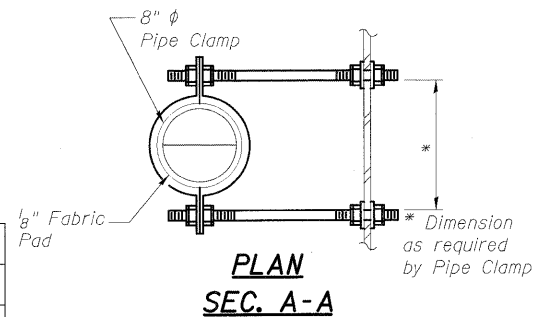


**SECTION E-E**

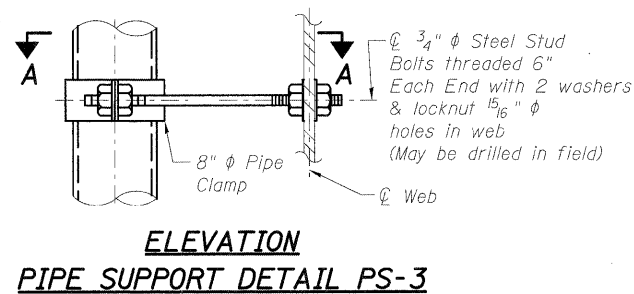


**SECTION D-D**

**PIPE SUPPORT DETAIL PS-1**



**PLAN  
SEC. A-A**



**ELEVATION  
PIPE SUPPORT DETAIL PS-3**

DESIGNED	PMH
CHECKED	BB
DRAWN	PMH
CHECKED	BB

**DRAINAGE SYSTEM DETAILS  
STRUCTURE NO. 046-0146 (S.B.)  
& STRUCTURE NO. 046-0147 (N.B.)**

**McDonough Associates Inc.**  
Engineers / Architects  
130 East Randolph Street  
Chicago, Illinois 60601  
(312) 946-8600

SHEET NO. SR-18 SHEETS SR-48	F.A.I. RTE.	SECTION	COUNTY	TOTAL SHEETS	SHEET NO.
	57	(46-2) VBR	KANKAKEE	558	345
CONTRACT NO. 66409					
FED. ROAD DIST. NO. 3 ILLINOIS FED. AID PROJECT					