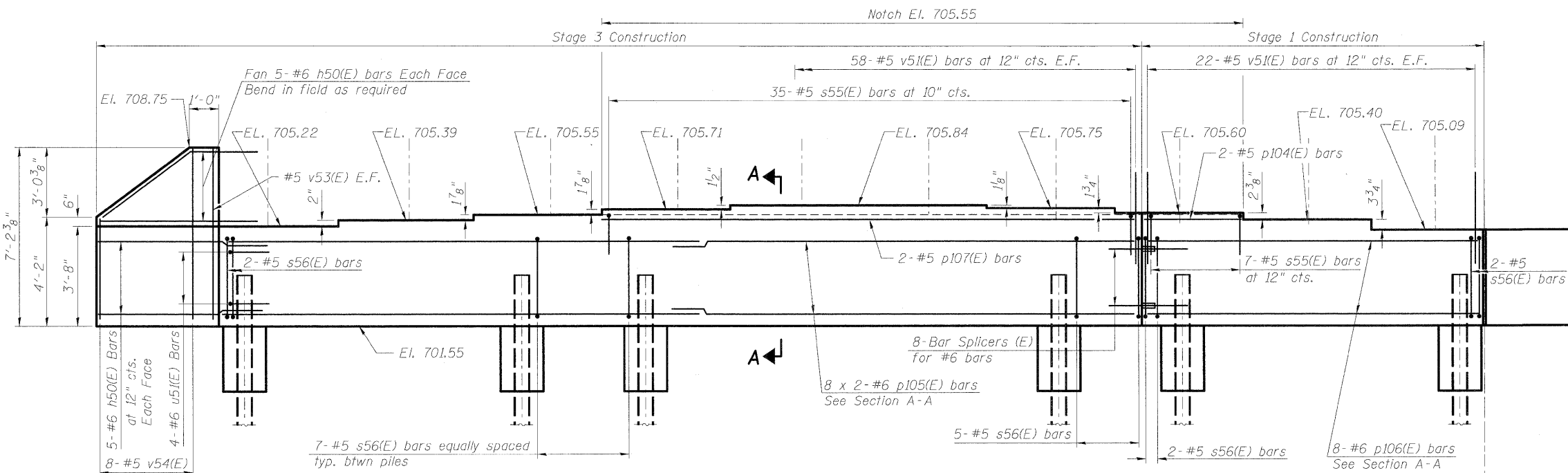
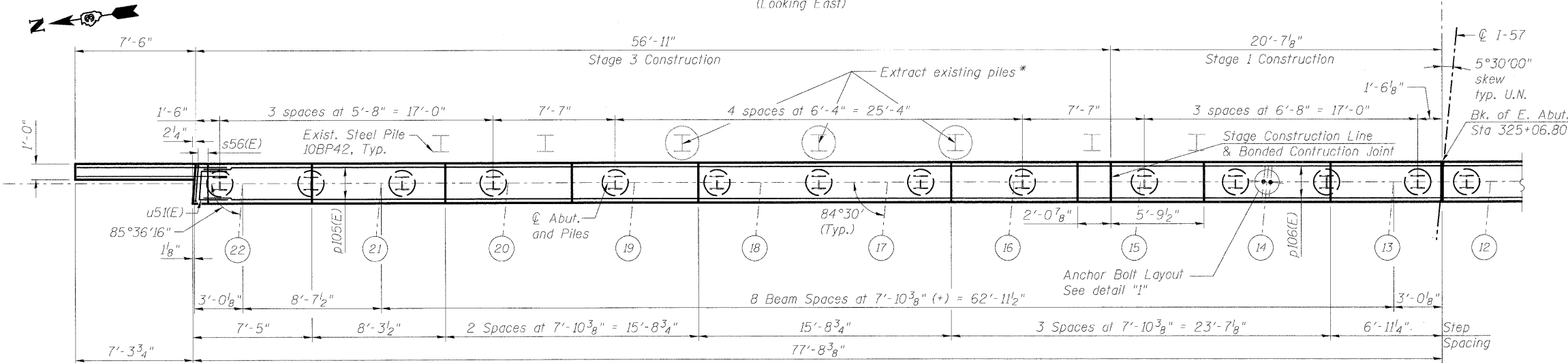


STATE OF ILLINOIS
DEPARTMENT OF TRANSPORTATION

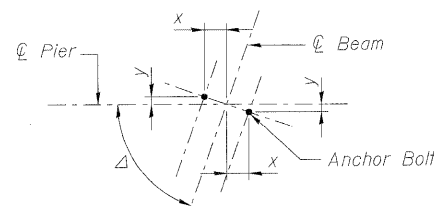


EAST ABUTMENT ELEVATION (NB)
(Looking East)



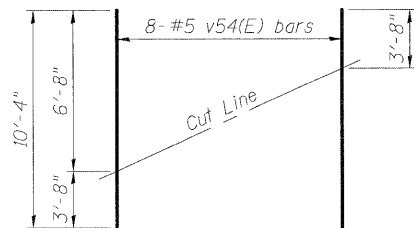
PLAN

* Paid for under item "Removal of Existing Structures No. 2"



Beam No.	Δ	x	y
13 thru 21	84°30'	2 5/8"	1/4"
22	85°36'16"	2 5/8"	1/4"

DETAIL "1"
ANCHOR BOLT LAYOUT

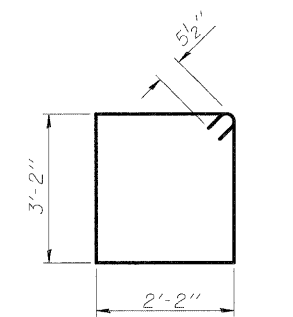


FIELD CUTTING DIAGRAM

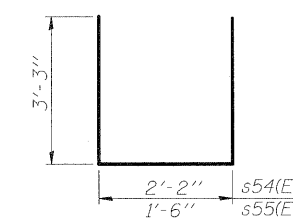
Order v54(E) full length. Cut as shown and use remainder of bars in opposite face.

EAST ABUTMENT BILL OF MATERIAL

Bar	Stage 1 No.	Stage 2 No.	Stage 3 No.	Size	Length	Shape
h50(E)		20	20	#6	10'-8"	—
P100(E)		16		#6	36'-11"	—
P101(E)	8			#6	19'-9"	—
P102(E)		2		#5	24'-5"	—
P103(E)		2		#5	25'-7"	—
P104(E)	4			#5	5'-5"	—
P105(E)			16	#6	30'-4"	—
P106(E)	8			#6	20'-3"	—
P107(E)			2	#5	33'-2"	—
P108(E)		2		#5	14'-8"	—
S54(E)		48		#5	8'-8"	□
S55(E)	14	16	35	#5	8'-0"	□
S56(E)	50	70	63	#5	11'-7"	□
U50(E)		4		#6	9'-11"	—
U51(E)			4	#6	9'-8"	—
V51(E)	86	142	116	#5	4'-4"	—
V53(E)		2	2	#5	6'-8"	—
V54(E)		8	8	#5	10'-4"	—
Structure Excavation				Cu. Yd.	279	
Reinforcement Bars, Epoxy Coated				Pound	8,024	
Concrete Structures				Cu. Yd.	65	
Concrete Encasement				Cu. Yd.	10	
Furnishing Steel Piles, HP 10x57				Foot	1,066	
Driving Piles				Foot	1,066	
Test Pile Steel HP 10 x 57				Each	1	
Pile Shoes				Each	27	



BAR S56(E)



BARS S54(E) & S55(E)

EAST ABUTMENT & DETAILS (NB)
STRUCTURE NO. 046-0146 (S.B.)
& STRUCTURE NO. 046-0147 (N.B.)

DESIGNED	PMH
CHECKED	MJL
DRAWN	PMH
CHECKED	MJL

McDonough Associates Inc.
Engineers / Architects
130 East Randolph Street
Chicago, Illinois 60601
(312) 946-8600

SHEET NO. SR-33 SHEETS SR-48	F.A.I. RTE.	SECTION	COUNTY	TOTAL SHEETS	SHEET NO.
	57	(46-2) VBR	KANKAKEE	558	360
			CONTRACT NO. 66409		
FED. ROAD DIST. NO. 3 ILLINOIS FED. AID PROJECT					