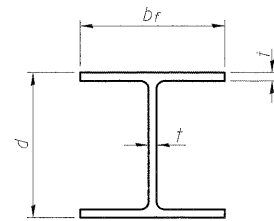
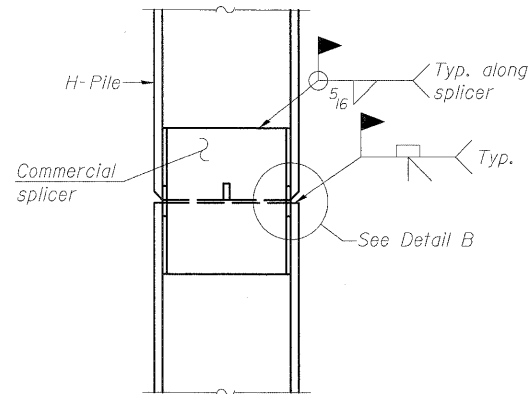


STATE OF ILLINOIS
DEPARTMENT OF TRANSPORTATION

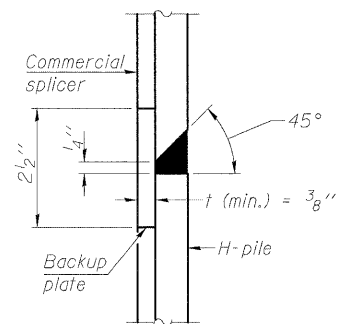


STEEL PILE TABLE

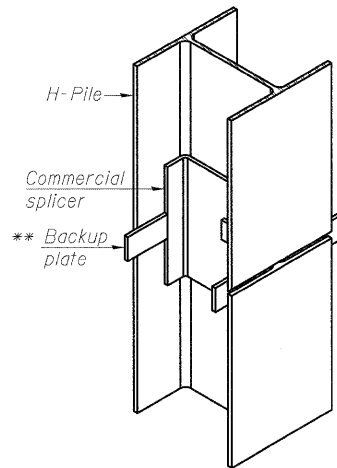
Designation	Depth <i>d</i>	Flange width <i>b_f</i>	Web and Flange thickness <i>t</i>	Encasement diameter <i>A</i>
HP 14x117	14 ¹ / ₄ "	14 ⁷ / ₈ "	1 ³ / ₁₆ "	30"
x102	14"	14 ³ / ₄ "	1 ¹ / ₁₆ "	30"
x89	13 ⁷ / ₈ "	14 ³ / ₄ "	5 ⁵ / ₈ "	30"
x73	13 ⁵ / ₈ "	14 ⁵ / ₈ "	1 ¹ / ₂ "	30"
HP 12x84	12 ¹ / ₄ "	12 ¹ / ₄ "	1 ¹ / ₁₆ "	24"
x74	12 ¹ / ₈ "	12 ¹ / ₄ "	5 ⁵ / ₈ "	24"
x63	12"	12 ¹ / ₈ "	1 ¹ / ₂ "	24"
x53	11 ³ / ₄ "	12"	7 ¹ / ₁₆ "	24"
HP 10x57	10"	10 ¹ / ₄ "	9 ⁹ / ₁₆ "	24"
x42	9 ³ / ₄ "	10 ¹ / ₈ "	7 ¹ / ₁₆ "	24"
HP 8x36	8"	8 ¹ / ₈ "	7 ¹ / ₁₆ "	18"



ELEVATION

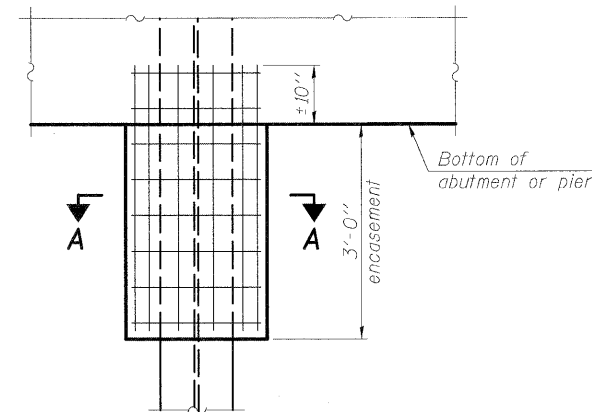


DETAIL "B"



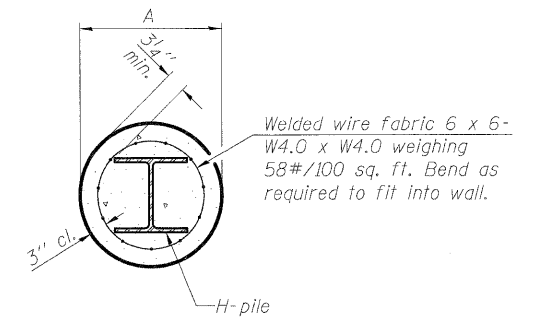
ISOMETRIC VIEW

WELDED COMMERCIAL SPLICE



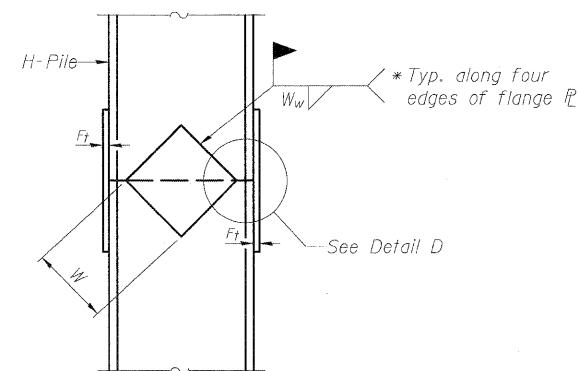
ELEVATION

PILE ENCASEMENT

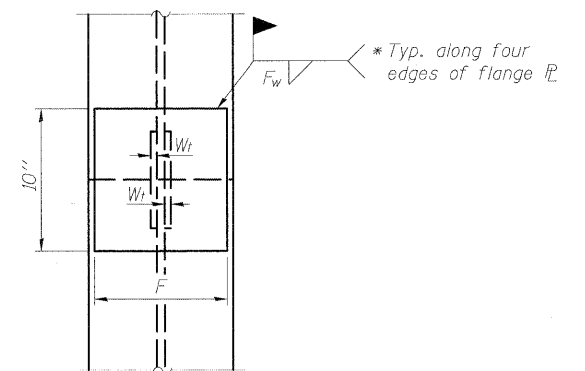


SECTION A-A

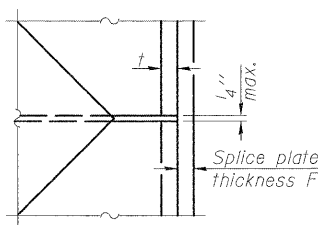
Note:
Forms for encasement may be omitted when soil conditions permit.



ELEVATION



END VIEW



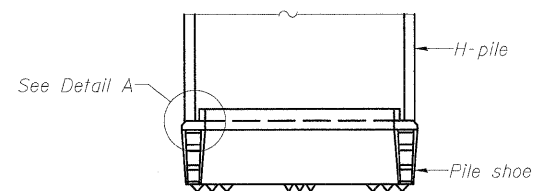
DETAIL D

WELDED PLATE FIELD SPLICE

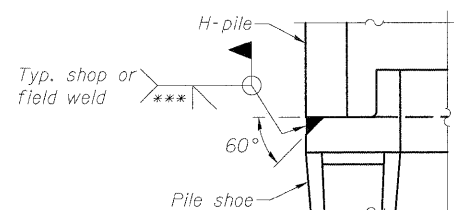
Designation	<i>F</i>	<i>F_t</i>	<i>F_w</i>	<i>W</i>	<i>W_t</i>	<i>W_w</i>
HP 14x117	12 ¹ / ₂ "	1"	7 ⁷ / ₈ "	7 ³ / ₄ "	5 ⁵ / ₈ "	1 ¹ / ₂ "
x102	12 ¹ / ₂ "	7 ⁷ / ₈ "	3 ³ / ₄ "	7 ³ / ₄ "	5 ⁵ / ₈ "	1 ¹ / ₂ "
x89	12 ¹ / ₂ "	3 ³ / ₄ "	11 ¹ / ₁₆ "	7 ³ / ₄ "	5 ⁵ / ₈ "	1 ¹ / ₂ "
x73	12 ¹ / ₂ "	5 ⁵ / ₈ "	9 ⁹ / ₁₆ "	7 ³ / ₄ "	5 ⁵ / ₈ "	1 ¹ / ₂ "
HP 12x84	10"	7 ⁷ / ₈ "	11 ¹ / ₁₆ "	6 ¹ / ₂ "	5 ⁵ / ₈ "	1 ¹ / ₂ "
x74	10"	7 ⁷ / ₈ "	11 ¹ / ₁₆ "	6 ¹ / ₂ "	5 ⁵ / ₈ "	1 ¹ / ₂ "
x63	10"	5 ⁵ / ₈ "	1 ¹ / ₂ "	6 ¹ / ₂ "	1 ¹ / ₂ "	3 ³ / ₈ "
x53	10"	5 ⁵ / ₈ "	1 ¹ / ₂ "	6 ¹ / ₂ "	1 ¹ / ₂ "	3 ³ / ₈ "
HP 10x57	8"	3 ³ / ₄ "	9 ⁹ / ₁₆ "	5 ¹ / ₄ "	1 ¹ / ₂ "	3 ³ / ₈ "
x42	8"	5 ⁵ / ₈ "	9 ⁹ / ₁₆ "	5 ¹ / ₄ "	1 ¹ / ₂ "	3 ³ / ₈ "
HP 8x36	7"	5 ⁵ / ₈ "	7 ¹ / ₁₆ "	4 ¹ / ₄ "	1 ¹ / ₂ "	3 ³ / ₈ "

HP PILE DETAILS

STRUCTURE NO. 046-0146 (S.B.)
& STRUCTURE NO. 046-0147 (N.B.)

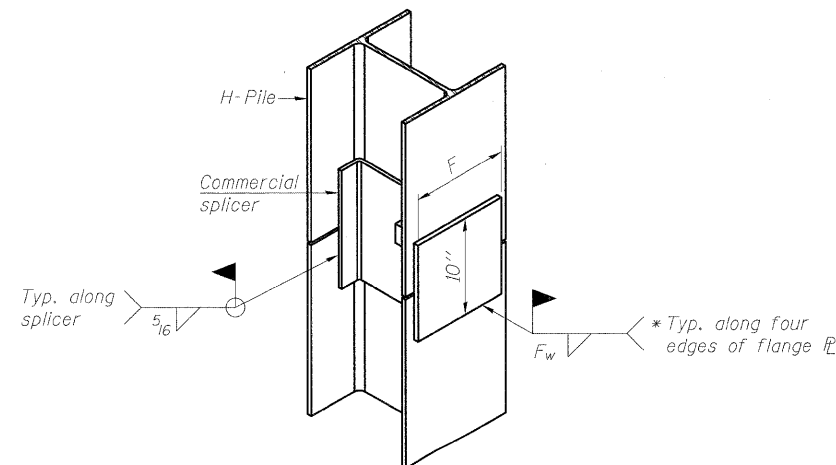


ELEVATION



DETAIL A

H-PILE SHOE ATTACHMENT



ISOMETRIC VIEW

WELDED COMMERCIAL SPLICE ALTERNATE

- * Interrupt welds 1/4" from end of web and/or each flange.
- ** Remove portions of backup plates that extend outside the flanges.
- *** Weld size per pile shoe manufacturer (5/16" min.).

Note:
The steel H-piles shall be according to AASHTO M270 Grade 50.

McDonough Associates Inc.
Engineers / Architects
130 East Randolph Street
Chicago, Illinois 60601
(312) 946-8600

SHEET NO. SR-44 SHEETS SR-48	F.A.I. RTE.	SECTION	COUNTY	TOTAL SHEETS	SHEET NO.
	57	(46-2) VBR	KANKAKEE	558	371
CONTRACT NO. 66409					
FED. ROAD DIST. NO. 3 ILLINOIS FED. AID PROJECT					

DESIGNED
CHECKED
DRAWN
CHECKED

F-HP

11-1-09