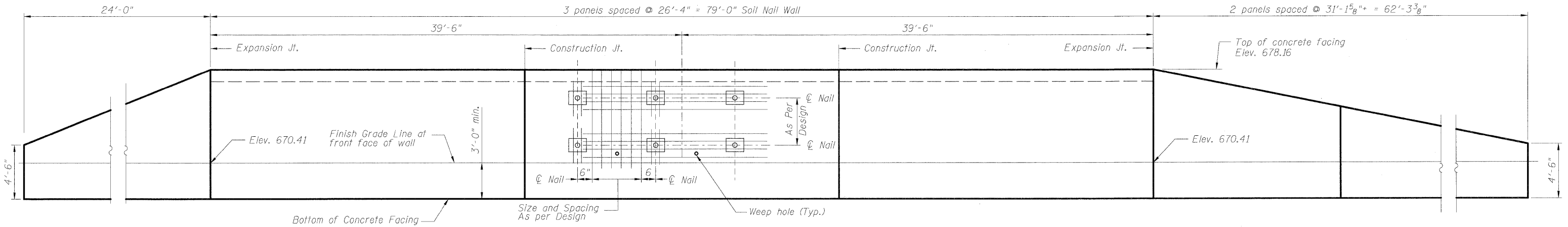
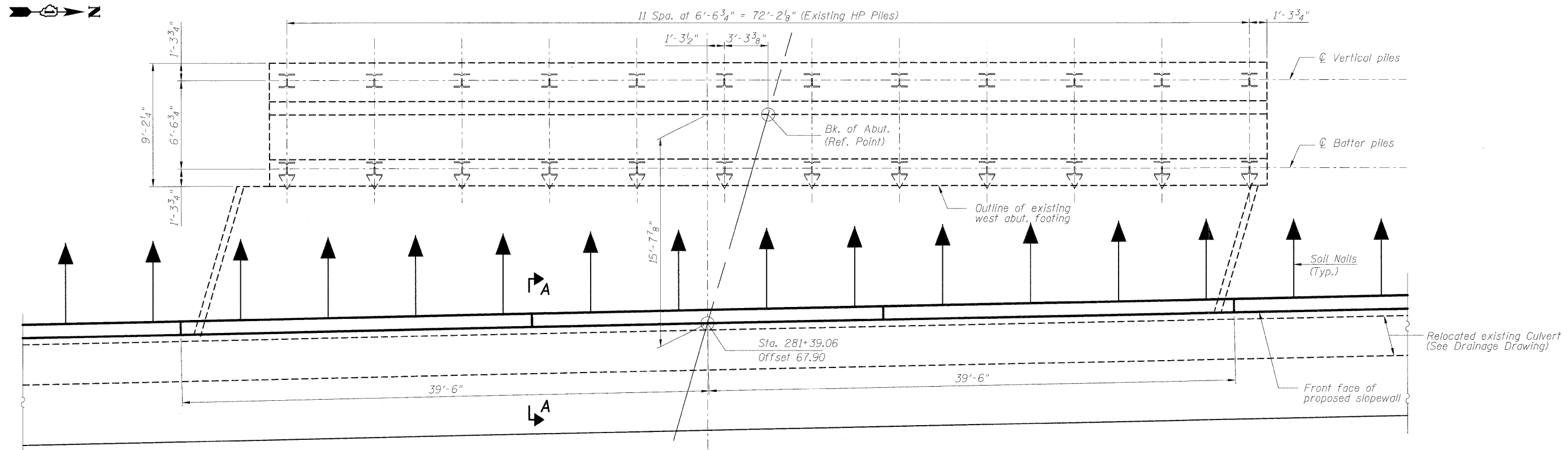


STATE OF ILLINOIS  
DEPARTMENT OF TRANSPORTATION



**ELEVATION**

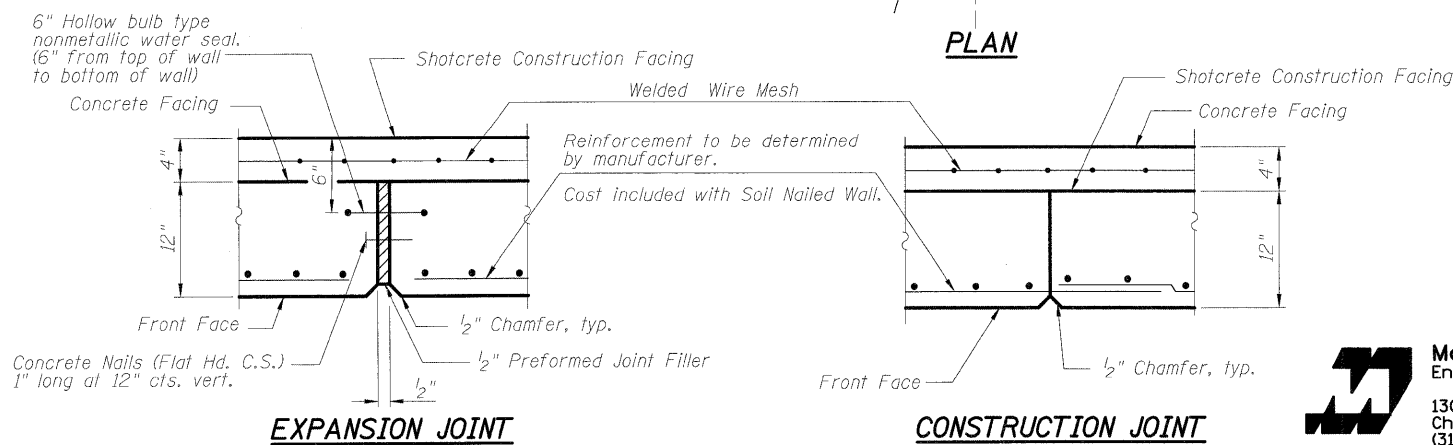
Dimensions are along front face of wall



**PLAN**

**Notes:**

Number and spacing of soil nails and embedment length shall be per Contractor Design.  
Space Soil Nails to miss existing piles.



**EXPANSION JOINT**

**CONSTRUCTION JOINT**

DESIGNED	AWW
CHECKED	RJ
DRAWN	RJ
CHECKED	AWW

**WALL DETAILS  
STRUCTURE NO. 046-8804**

**McDonough Associates Inc.**  
Engineers / Architects  
130 East Randolph Street  
Chicago, Illinois 60601  
(312) 946-8600

SHEET NO. RET-2 SHEETS RET-4	F.A.I. RTE.	SECTION	COUNTY	TOTAL SHEETS	SHEET NO.
	57	(46-2) HBR	KANKAKEE	558	377
CONTRACT NO. 66409					
FED. ROAD DIST. NO. 3 ILLINOIS FED. AID PROJECT					