

GENERAL NOTES:

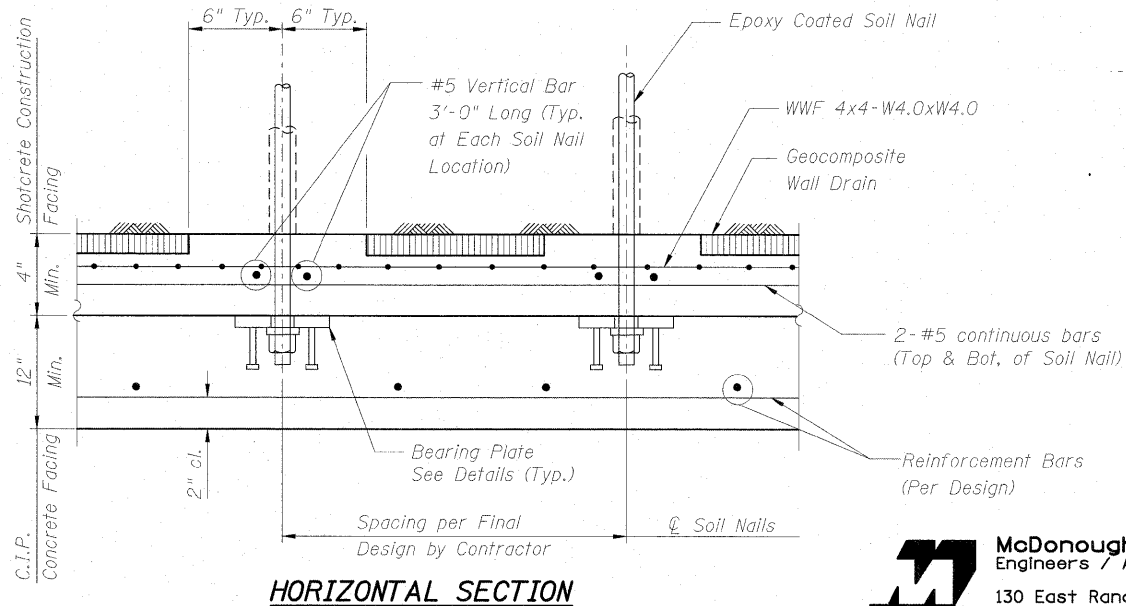
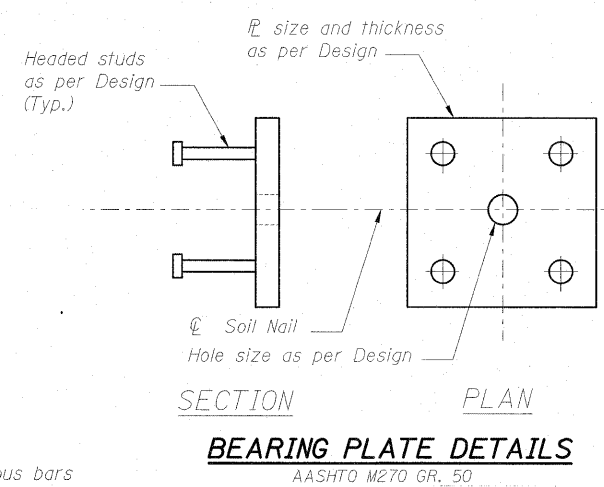
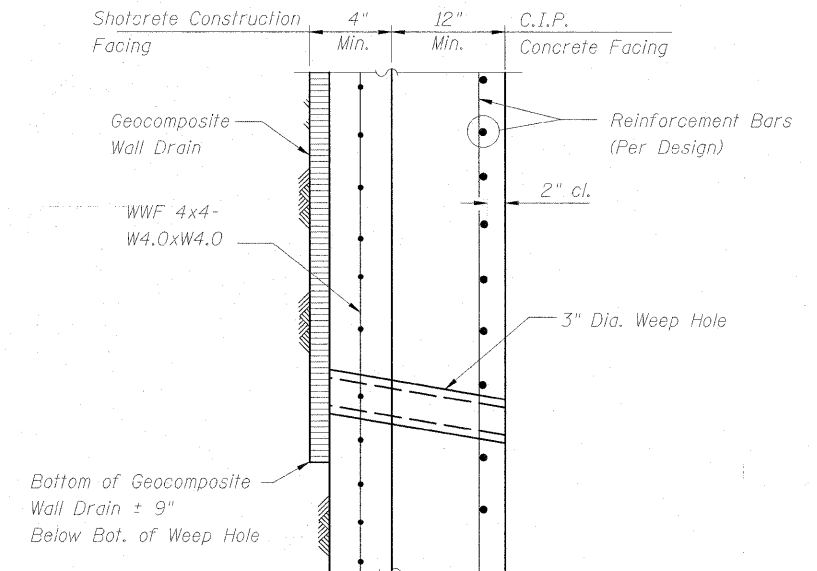
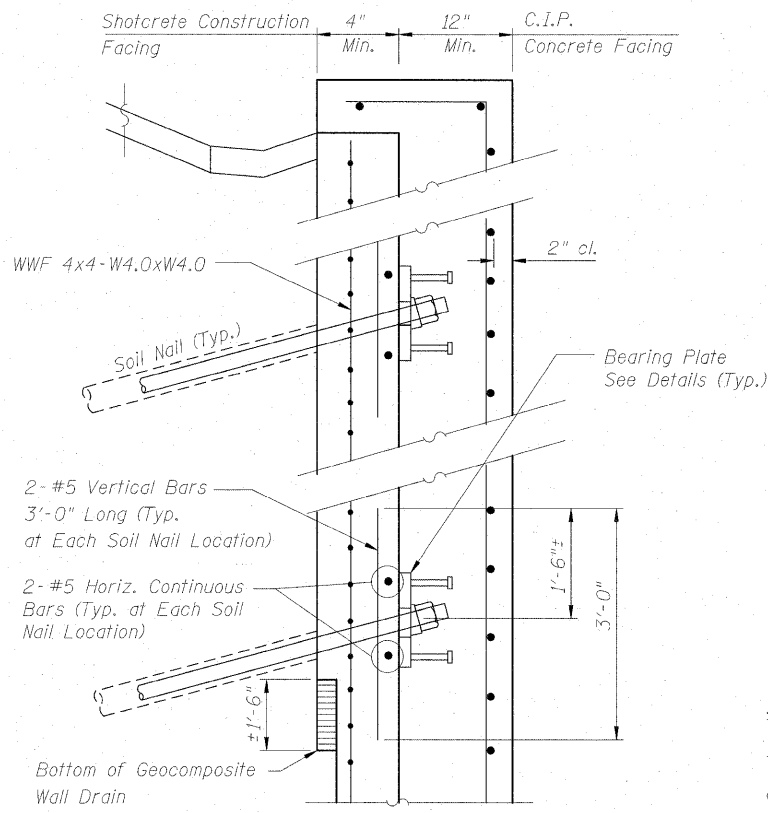
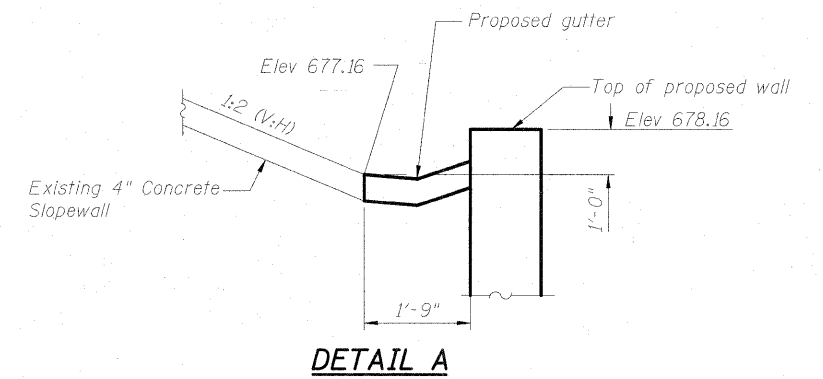
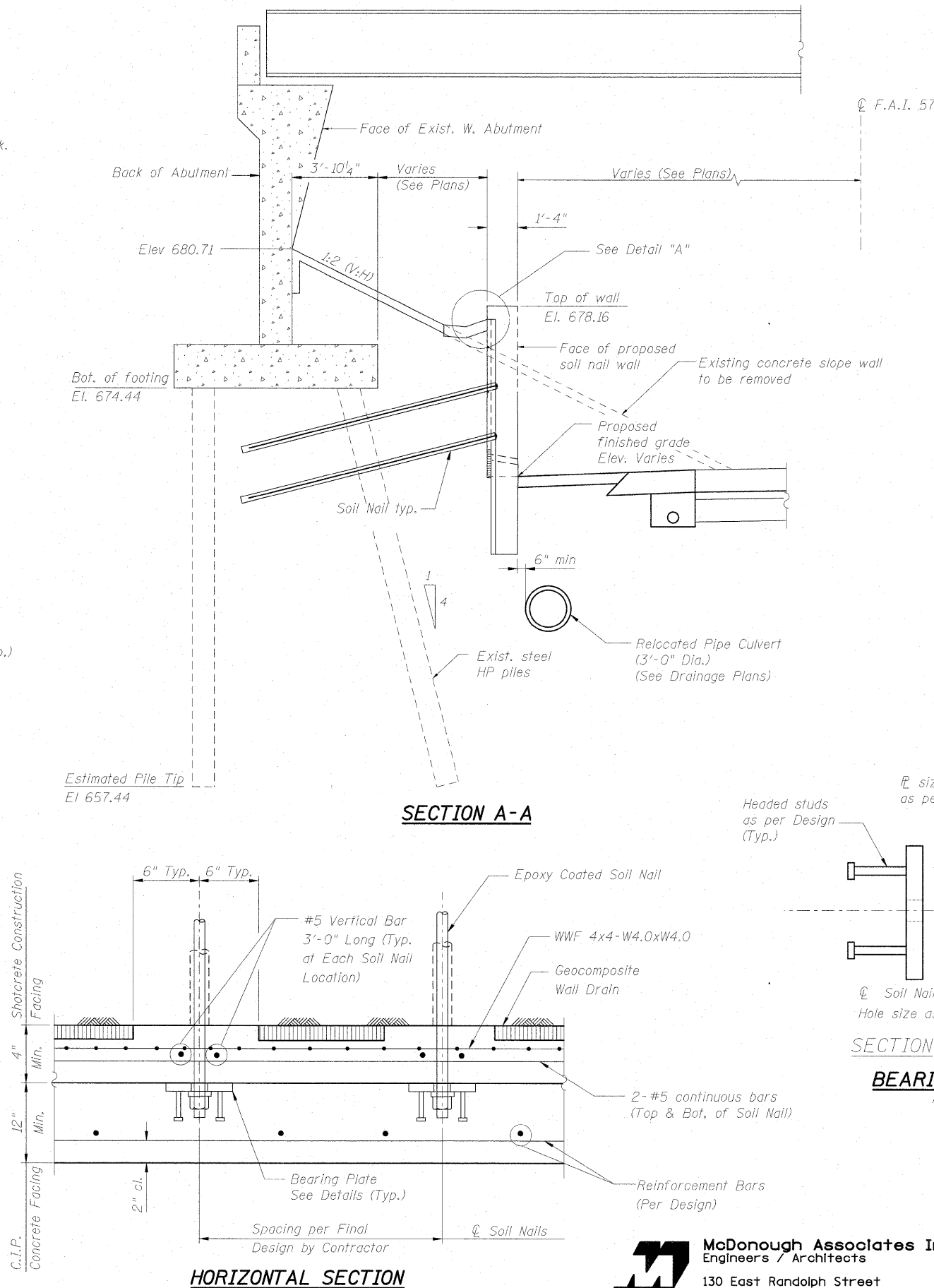
Plan dimensions and details relative to existing structure have been taken from existing plans and are subject to nominal construction variations. It shall be the Contractor's responsibility to verify such dimensions and details in the field and make necessary approved adjustments prior to construction or ordering of materials. Such variations shall not be cause for additional compensation for a change in the scope of work, however, the Contractor will be paid for the quantity actually furnished at the unit price bid for the work.

All exposed concrete edges shall be chamfered 3/4" except as noted.

Slope wall shall be reinforced with welded wire fabric, 6" x 6" - W4.0 x W4.0, weighing 58lbs per sq. ft.

Reinforcement bars shall conform to the requirements of ASTM A 706 Gr 60.

STATE OF ILLINOIS
DEPARTMENT OF TRANSPORTATION



DESIGNED	AWW
CHECKED	RJ
DRAWN	RJ
CHECKED	AWW

McDonough Associates Inc.
Engineers / Architects
130 East Randolph Street
Chicago, Illinois 60601
(312) 946-8600

**WALL DETAILS
STRUCTURE NO. 046-8804**

SHEET NO. RET-3 SHEETS RET-4	F.A.I. RTE.	SECTION	COUNTY	TOTAL SHEETS	SHEET NO.
	57	(46-2) HBR	KANKAKEE	558	378
CONTRACT NO. 66409					
FED. ROAD DIST. NO. 3 ILLINOIS FED. AID PROJECT					