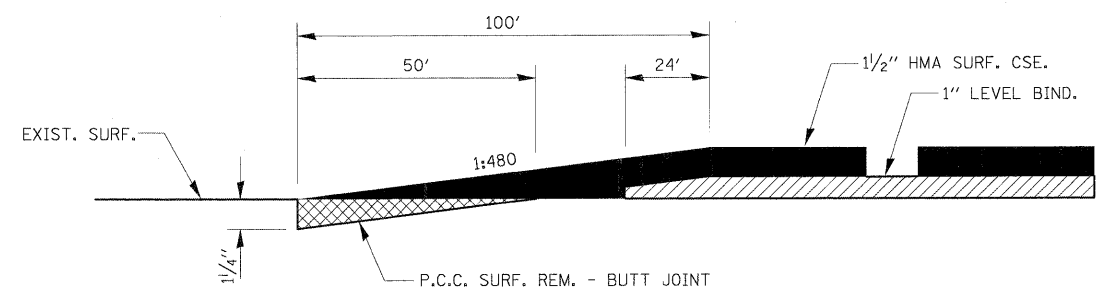
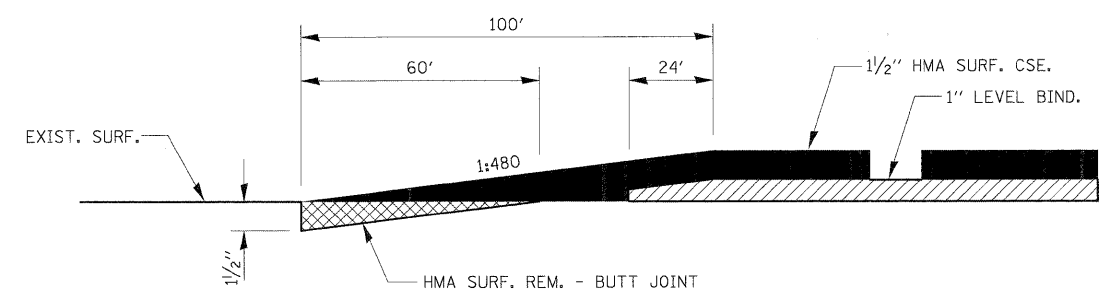


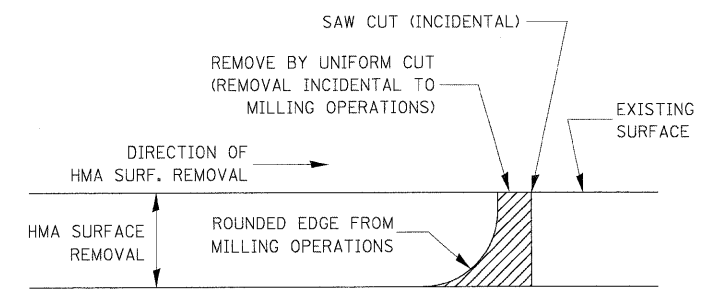
406-9



406-10



406-11



NOTE:  
WHEN MILLING OPERATIONS PRODUCE A ROUNDED EDGE, THEN A SAW CUT SHALL BE USED TO MANUFACTURE A PERPENDICULAR EDGE AS SHOWN IN THE DETAIL. THE ENGINEER SHALL BE THE SOLE JUDGE CONCERNING THE USE OF THIS DETAIL

**HMA DETAIL AT BUTT JOINTS**

406-8

FILE NAME = I:\Dgn\sheets\406-8-406-11.dgn	USER NAME = EricG	DESIGNED -	REVISED -	<b>STATE OF ILLINOIS DEPARTMENT OF TRANSPORTATION</b>	<b>DISTRICT 3 DETAILS</b>			F.A.I. RTE.	SECTION	COUNTY	TOTAL SHEETS	SHEET NO.
	PLOT SCALE = 1:50	DRAWN -	REVISED -					57	(46-2) I, HBR, VBR	KANKAKEE	558	384
PLOT DATE = 12/21/2010	DATE -	CHECKED -	REVISED -	SCALE:	SHEET NO.	OF	SHEETS	STA.	TO STA.	FED. ROAD DIST. NO. 3 ILLINOIS FED. AID PROJECT		
										CONTRACT NO. 66409		