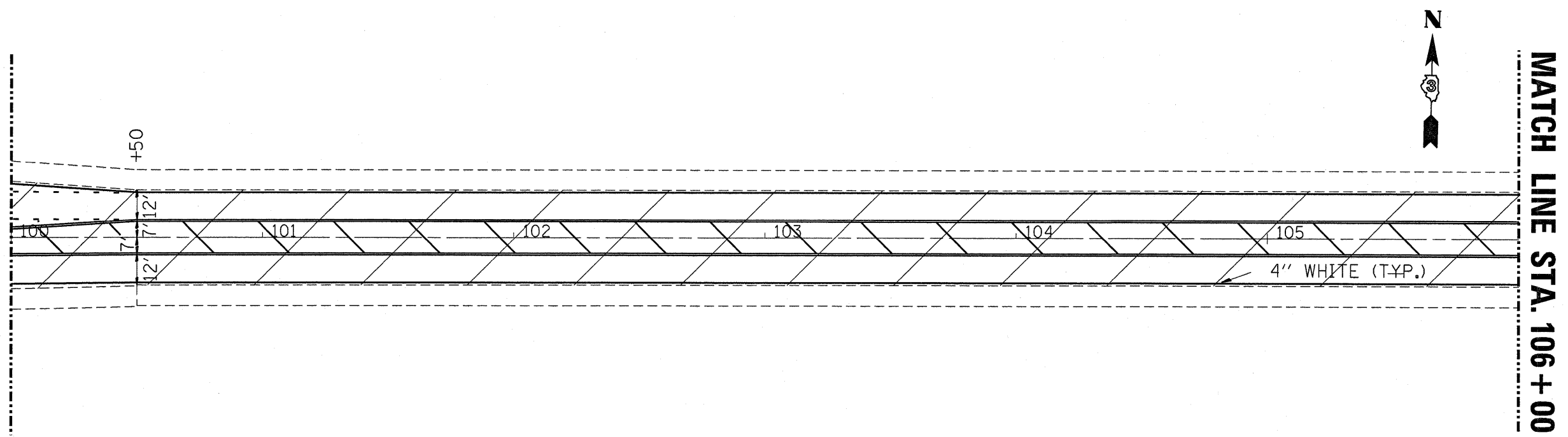


MATCH LINE STA. 100+00



MATCH LINE STA. 106+00

RESURFACING LIMITS

FILE NAME =	USER NAME = braboygo	DESIGNED -	REVISSED -	STATE OF ILLINOIS DEPARTMENT OF TRANSPORTATION	PAVEMENT MARKINGS STA. 94+00 TO STA. 106+00	F.A.P. RTE.	SECTION	COUNTY	TOTAL SHEETS	SHEET NO.	
ca:\pw\work\pwidot\braboygo\d0173862\sheeta.dgn	PLOT SCALE = 23.915' / IN.	DRAWN -	REVISSED -			623	17RS-3; 33RS-5; (34)RRS		55	22	
	PLOT DATE = Feb 10, 2011 - 04:06:41 PM	CHECKED -	REVISSED -			CONTRACT NO. 66A10					
		DATE -	REVISSED -			ILLINOIS FED. AID PROJECT *BUREAU/LASALLE					