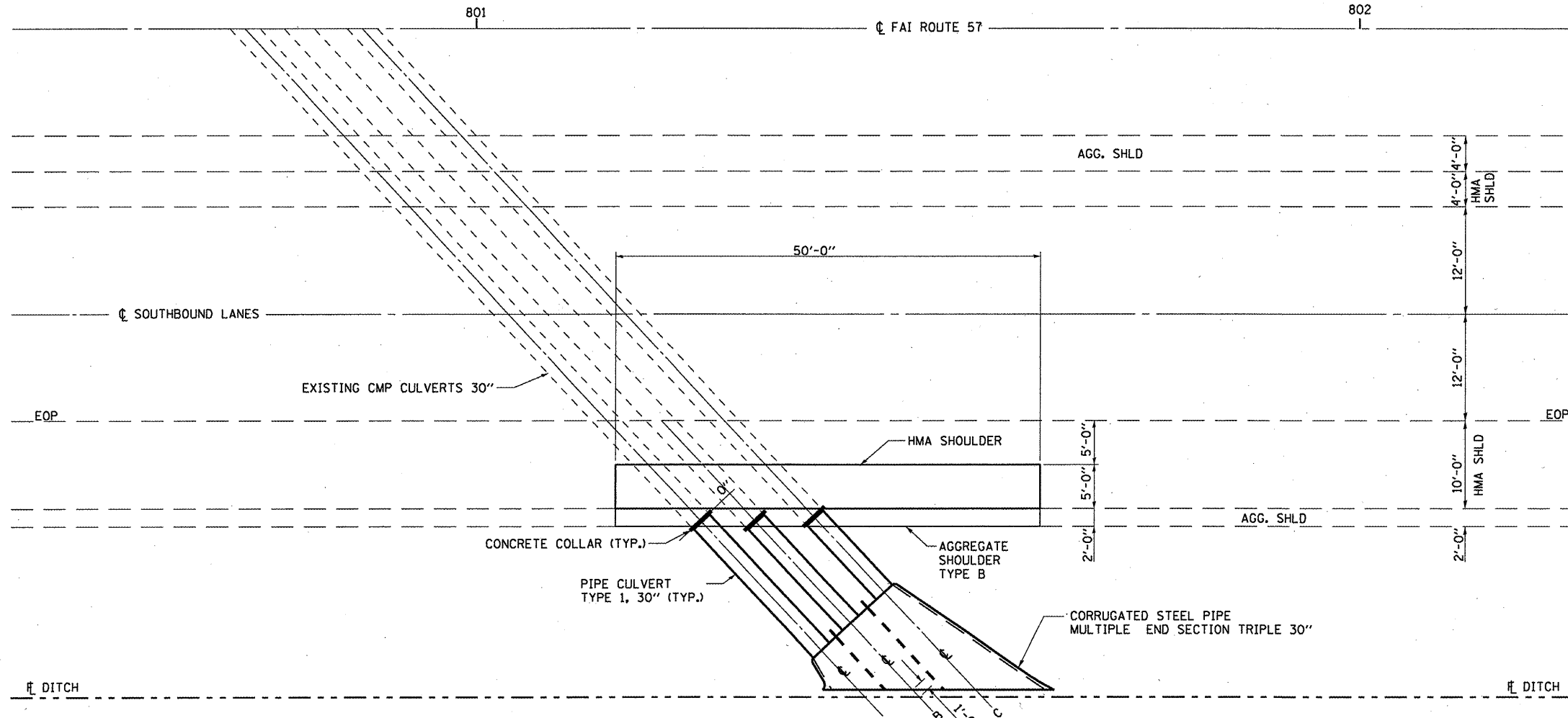
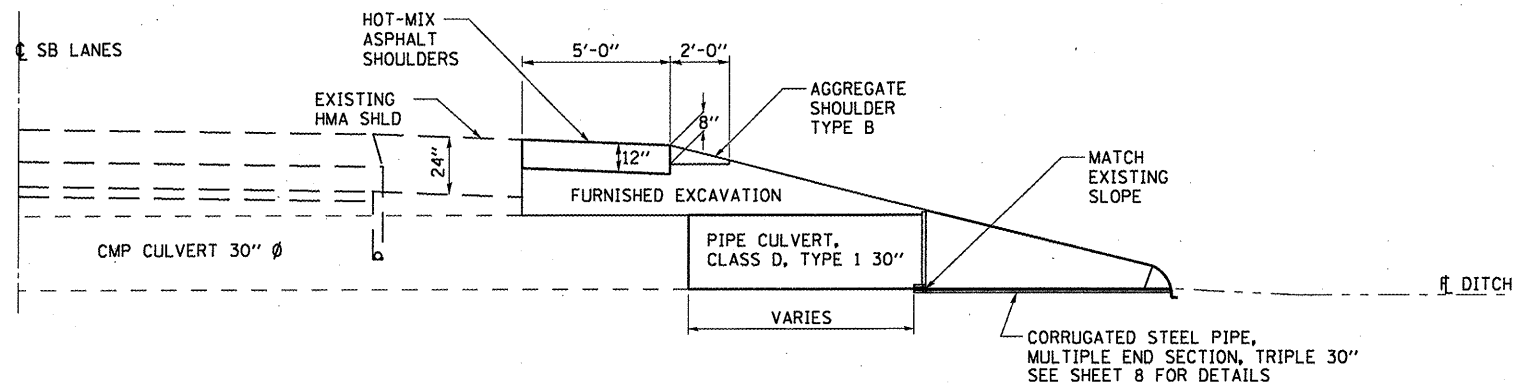


BM #1 CHISLED "X" ON SOUTH MEDIAN INLET, ELEV. 100.00



**PLAN**

PIPE	LENGTH
A	20 FT.
B	16 FT.
C	12 FT.



FILE NAME =	USER NAME = patelyj	DESIGNED - RON WOODSHANK	REVISED -
c:\pwork\pwork\patelyj\0257678\036815-sh1-details.DGN		DRAWN - RON WOODSHANK	REVISED -
PLOT SCALE = 99.9935 ' / IN.		CHECKED -	REVISED -
PLOT DATE = Feb 14, 2011 - 01:57:14 PM		DATE -	REVISED -

STATE OF ILLINOIS  
DEPARTMENT OF TRANSPORTATION

**PROPOSED CULVERT DETAILS**

SCALE: \_\_\_\_\_ SHEET NO. 1 OF 1 SHEETS

F.A.I. RTE.	SECTION	COUNTY	TOTAL SHEETS	SHEET NO.
57	(38)T	IROQUOIS	9	7
FED. ROAD DIST. NO. - ILLINOIS			CONTRACT NO. 66B15	