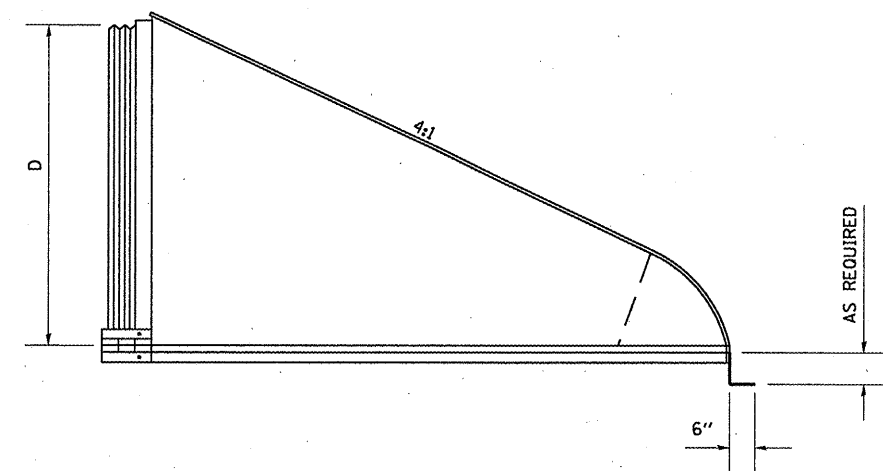
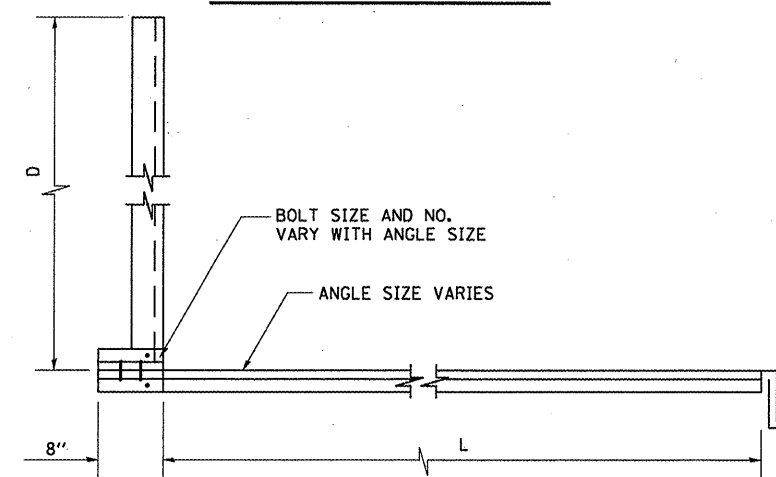


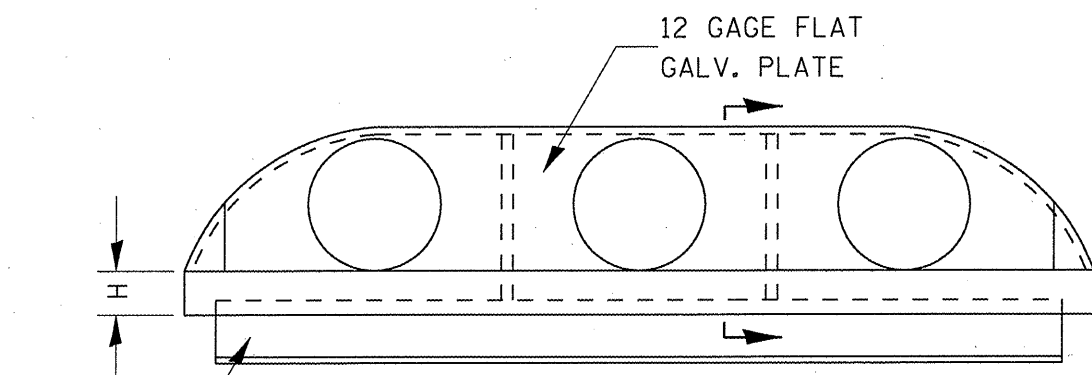
PLAN



SIDE VIEW



ANGLE SECTION VIEW



ELEVATION

ROUND PIPE												
MULTIPLE END SECTIONS												
PIPE DIA (D)	GAGE	SPAN 1	SPAN 2	SPAN 3	SPAN 4	SPAN 5	A	H	L	L'	TRIPLE	REINFORCING
(In)		(In)	(In)	(In)	(In)	(In)	(In)	(In)	(In)	(In)	W	ANGLE
30"	12	30	24	30	32	30	12 1/4	16	43 3/8	143 3/8	289 3/8	6 x 4 x 1/2