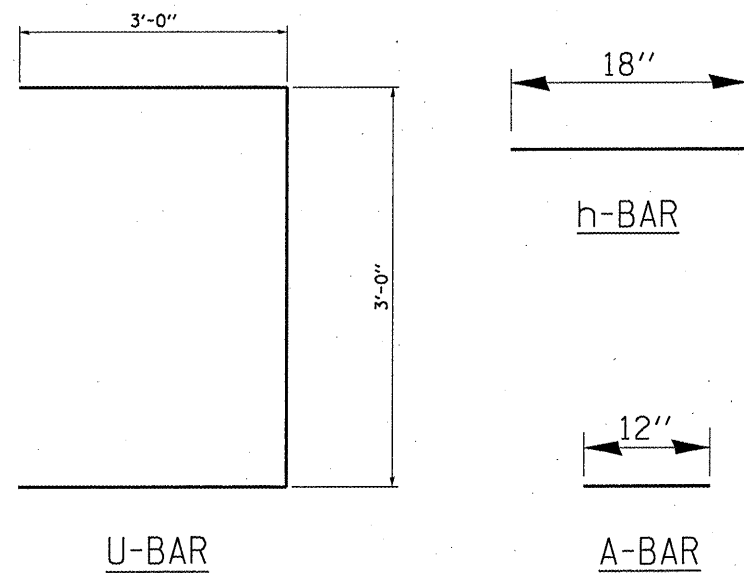


CONCRETE COLLAR
BILL OF MATERIAL

(FOR 1 COLLAR)
FOR INFORMATION ONLY

Bar	No.	Size	Length	Shape
a	6	#4	1'-0"	—
h	4	#4	1'-6"	—
u	8	#4	9'-0"	U
Reinforcement Bars, Epoxy Coated			Pound	60
Class SI Concrete			Cu. Yds.	1



COLLAR DETAIL (DIRECT PIPE CULVERT EXTENSION)