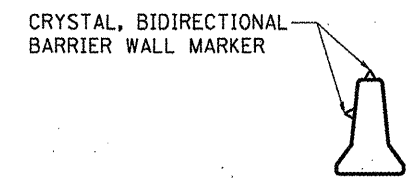


PLAN

- ① TYPE III BARRICADE TO BE PLACED WHEN NO WORK IS BEING PERFORMED.
- ② BARRIER WALL/GUARDRAIL MARKERS AT 25' CTS. SEE STANDARDS 635011 AND 704001

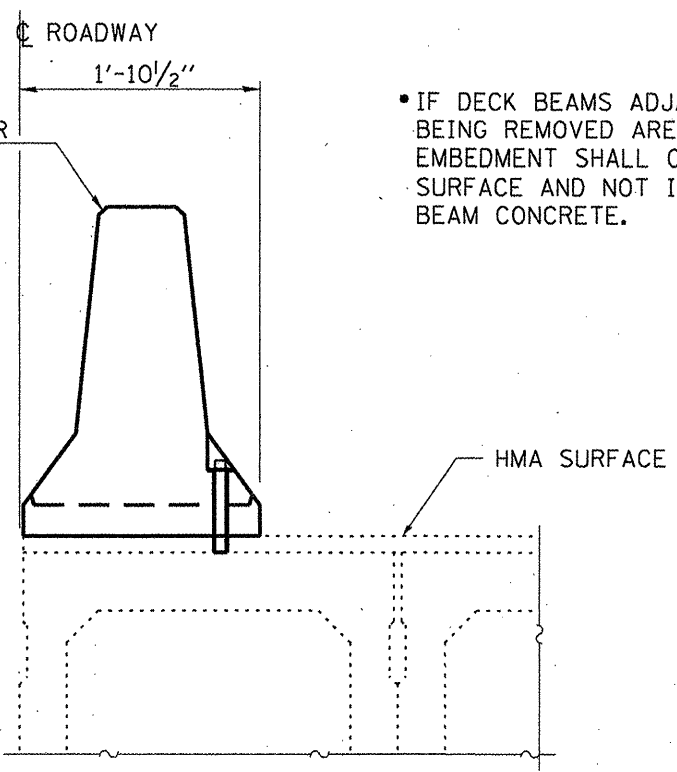


TEMPORARY BARRIER WALL

SYMBOLS

- WORK AREA
- SIGN
- TYPE III BARRICADE
- TRAFFIC SIGNAL WITH BACKPLATES
- DRUM WITH STEADY BURNING BI-DIRECTIONAL LIGHT
- TEMPORARY CONCRETE BARRIER
- TEMPORARY IMPACT ATTENUATOR
- CRYSTAL, BI-DIRECTIONAL BARRIER WALL/GUARDRAIL MARKER

TEMPORARY CONCRETE BARRIER
SEE STANDARD 704001



• IF DECK BEAMS ADJACENT TO THE DECK BEAM BEING REMOVED ARE TO REMAIN IN PLACE, EMBEDMENT SHALL ONLY BE INTO WEARING SURFACE AND NOT INTO EXISTING DECK BEAM CONCRETE.

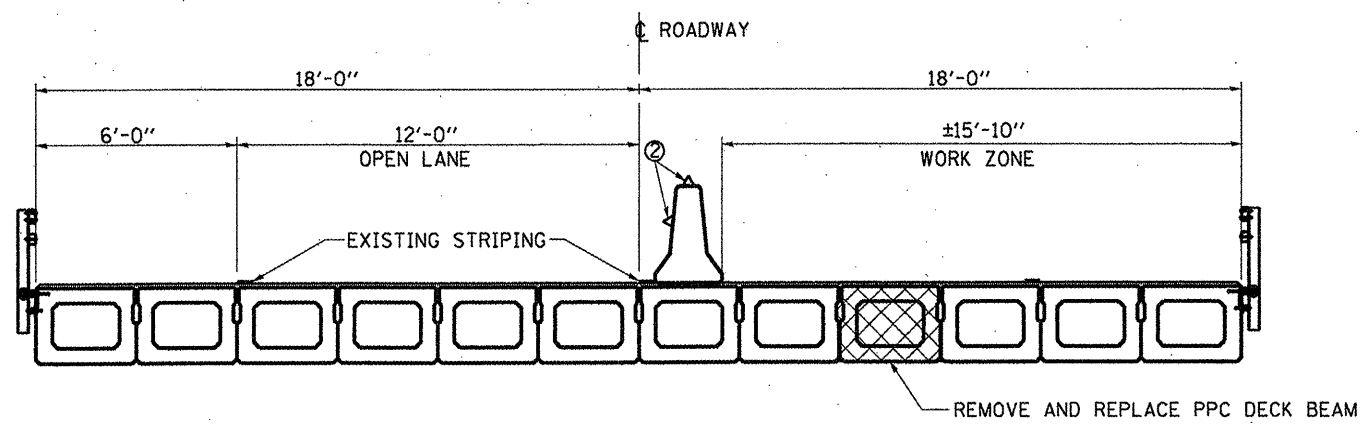
ANCHOR DETAIL

GENERAL NOTES

THIS DETAIL SHEET SHALL BE USED WHERE, AT ANY TIME TRAFFIC CONTROL AND PROTECTION, STANDARD, 701321 AND 704001 ARE SPECIFIED.

TEMPORARY PAVEMENT MARKINGS WHEN SHOWN ON TRAFFIC CONTROL AND PROTECTION STANDARDS OR PLAN DETAILS, SHALL BE PAID FOR ACCORDING TO ARTICLE 703.07 OF THE STANDARD SPECIFICATIONS.

TEMPORARY PAVEMENT MARKING REMOVAL SHALL NOT BE PAID FOR SEPARATELY BUT SHALL BE INCLUDED IN THE COST OF THE STANDARD OR DETAILS REQUIRING TEMPORARY PAVEMENT MARKING.



**CROSS SECTION
LOOKING NORTH**

NOTE: SEE TRAFFIC CONTROL AND PROTECTION STANDARD 701321 FOR DETAILS NOT SHOWN

FILE NAME =	USER NAME = potelg	DESIGNED - RON WOODSHANK	REVISED -	STATE OF ILLINOIS DEPARTMENT OF TRANSPORTATION	TRAFFIC CONTROL DETAILS	F.A.S. RTE.	SECTION	COUNTY	TOTAL SHEETS	SHEET NO.
ct:\pw\work\predit\potelg\d0257563\0366823-sht-details.DGN	DRAWN - RON WOODSHANK	REVISED -	1323			(39 C-BR)	KANKAKEE	9	5	
PLOT SCALE = 1/8" = 1' / IN.	CHECKED -	REVISED -	CONTRACT NO. 66B23							
PLOT DATE = Feb 24, 2011 - 03:19:22 PM	DATE -	REVISED -	ILLINOIS FED. AID PROJECT							
						SCALE: _____	SHEET NO. 1 OF 1 SHEETS	STA. _____ TO STA. _____		