

FABRIC BEARING PAD FABRIC ADJUSTING SHIM

FIXED
Note: Omit holes when using expansion bearings.

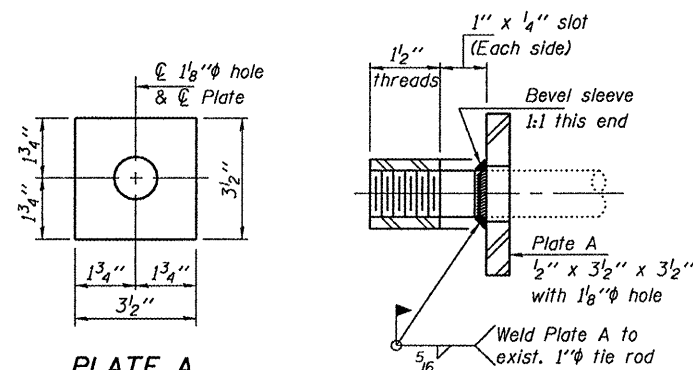
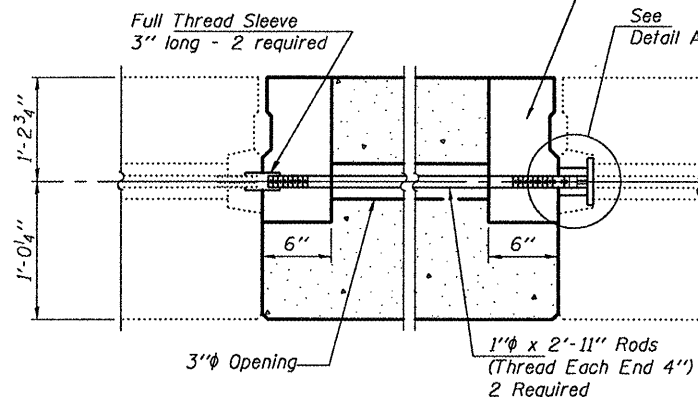


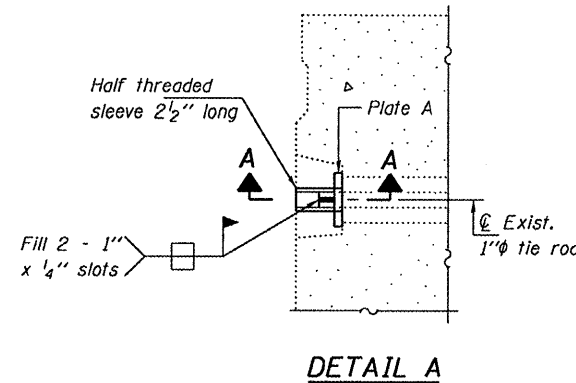
PLATE A
(2 Required)

SECTION A-A
(2 Required)

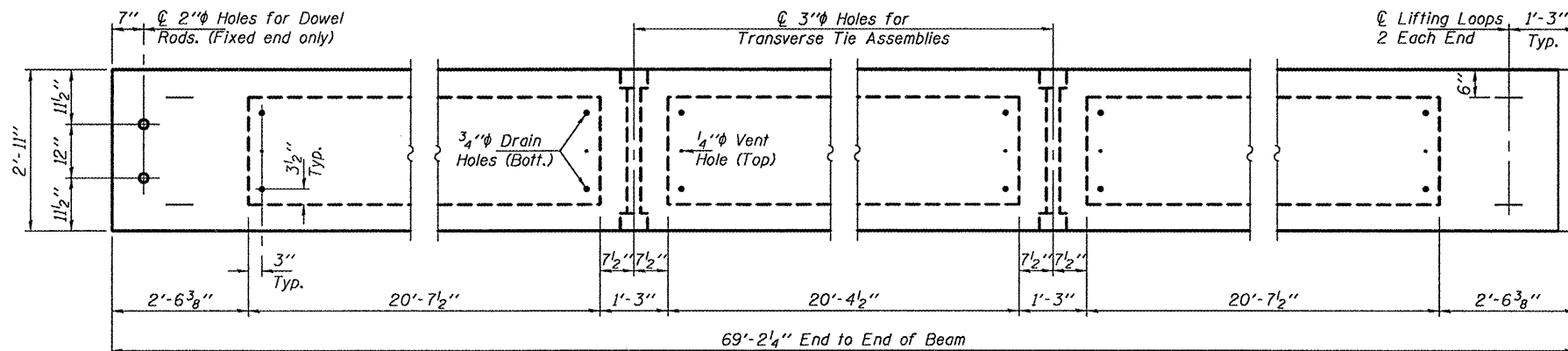
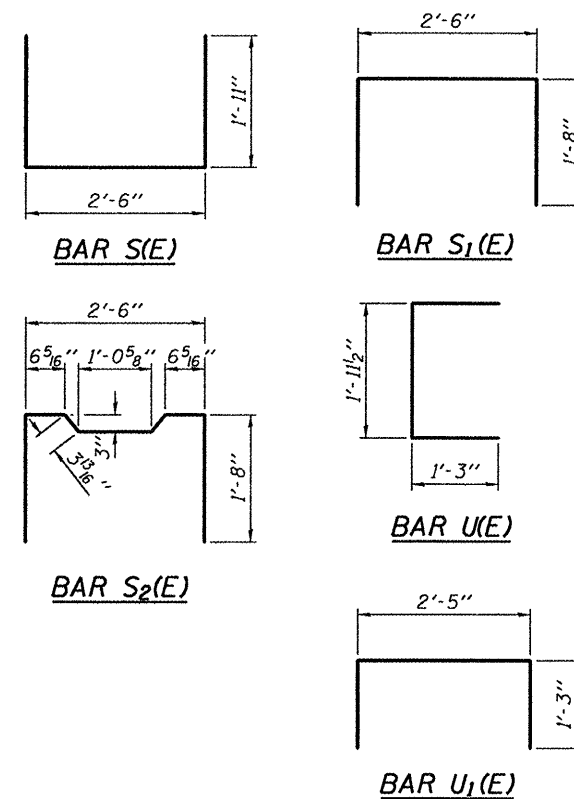
6" x 6" x 16 1/2" Blockout to be filled with non-shrink grout as specified in the special provision Concrete Deck Beams (Min. compressive strength at 7 days = 6,000 psi) after beams have been installed. Cost shall be included in the cost of Precast Prestressed Concrete Deck Beams (27" Depth). (Typ.)



TYPICAL TRANSVERSE TIE ASSEMBLY

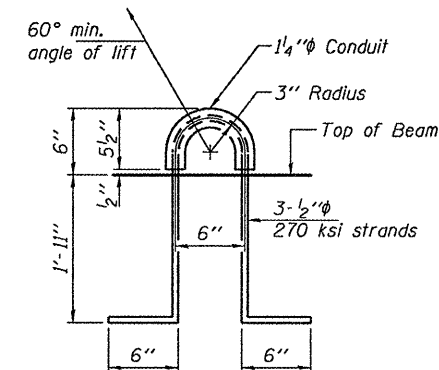


DETAIL A



BEAM PLAN

Expansion End. See sheet 4 of 4 for details.



LIFTING LOOP DETAIL

NOTES

Prestressing steel shall be uncoated high strength, low relaxation 7-wire strand, Grade 270. The nominal diameter shall be 1/2" and the nominal cross-sectional area shall be 0.153 sq. in. The 1" rods in the transverse tie assembly shall be tightened to a snug fit and the threads set. Reinforcement bars shall conform to ASTM A 706, Grade 60. (See Special Provisions). Two 1/8" fabric adjusting shims of the dimensions shown shall be provided for each bearing pad location. A minimum 2 1/2" lifting pin shall be used to engage the lifting loops during handling. Corrosion Inhibitor, per Article 1020.05(b)(12) and 1021.06 of the Standard Specifications, shall be used in the concrete for precast prestressed concrete deck beams. Compressive strength of prestressed concrete, f'c, shall be 6000 psi. Compressive strength of prestressed concrete at release, f'ci, shall be 5000 psi.

BILL OF MATERIAL

Precast Prestressed Conc. Deck Bms. (27" depth)	Sq. Ft.	201.8
-------------------------------------------------	---------	-------

DESIGNED - ATH	EXAMINED - <i>Jane F. [Signature]</i>	DATE - MARCH 15, 2011
CHECKED - GGE	ACTING ENGINEER OF STRUCTURAL SERVICES	
DRAWN - Kyle M. Steffen	PASSED - <i>[Signature]</i>	
CHECKED - ATH GGE	ACTING ENGINEER OF BRIDGES AND STRUCTURES	

**STATE OF ILLINOIS
DEPARTMENT OF TRANSPORTATION**

**PPC DECK BEAM DETAILS
SN 046-0107**

F.A.U. RTE. 6188	SECTION (39C-BR1)	COUNTY KANKAKEE	TOTAL SHEETS 9	SHEET NO. 8
SHEET NO. 3 OF 4 SHEETS			CONTRACT NO. 66B23	
ILLINOIS FED. AID PROJECT				