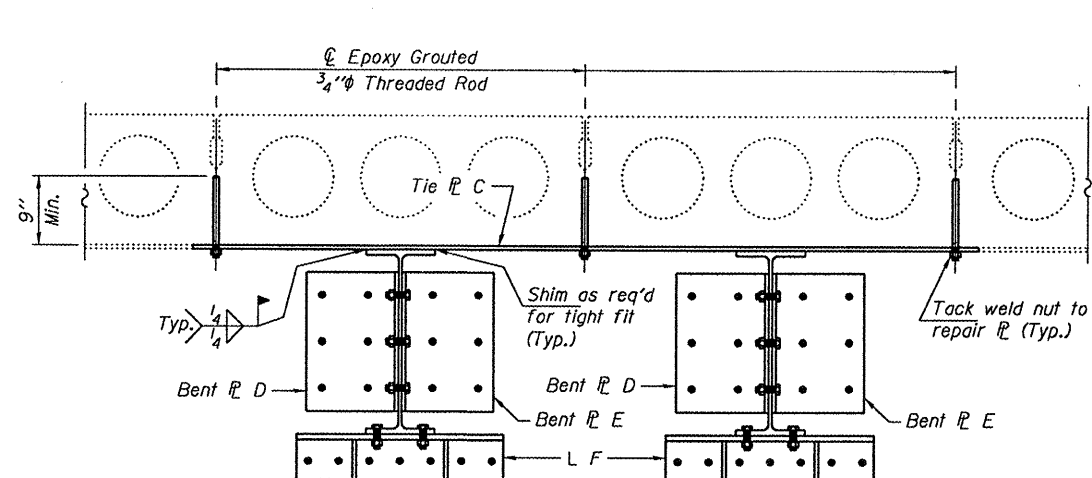
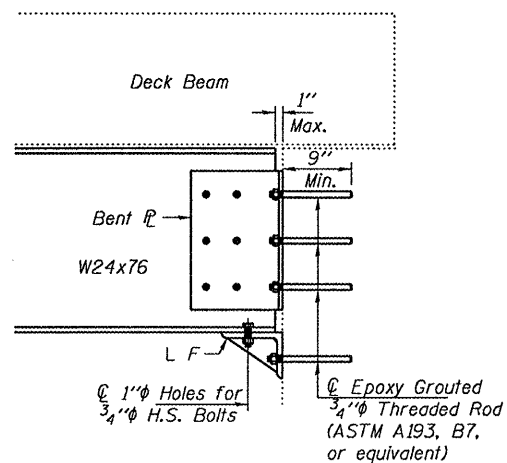


TYPICAL SECTION THRU SPAN 1, BEAMS 3 & 6

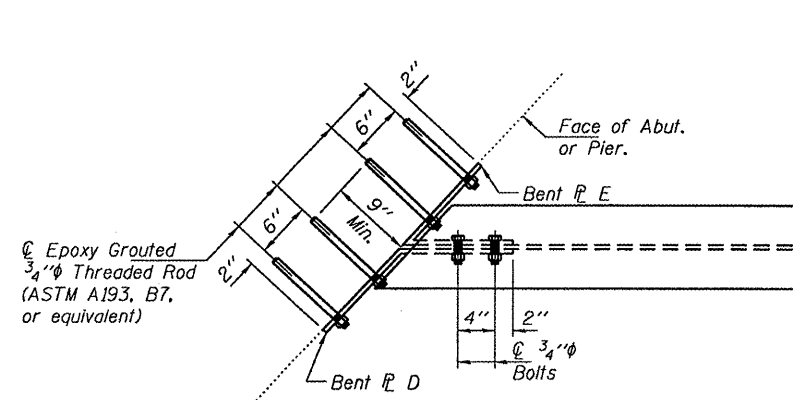


SECTION THRU SPAN 1, BEAM 9

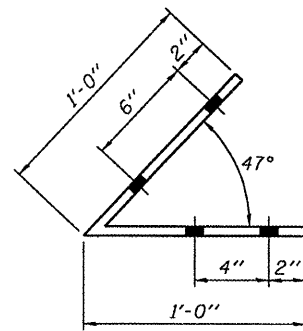
SECTION THRU SPAN 3, BEAMS 4 & 5



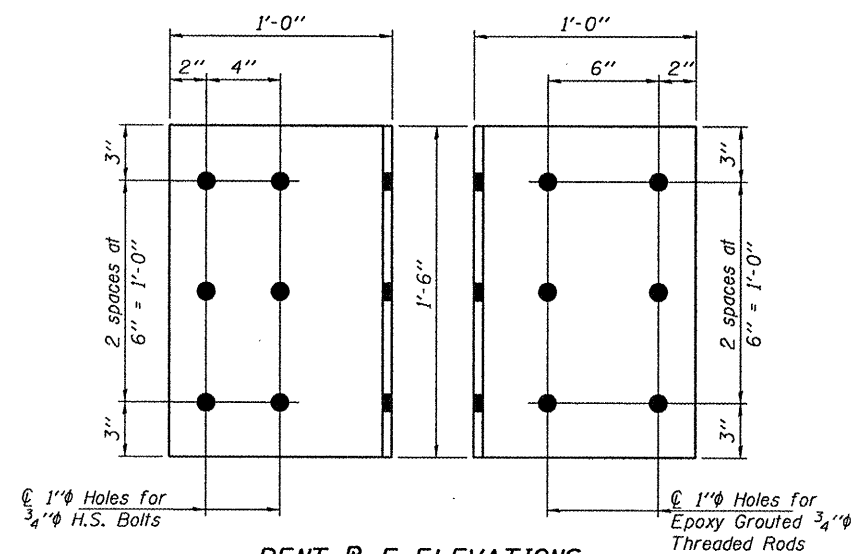
SECTION A-A



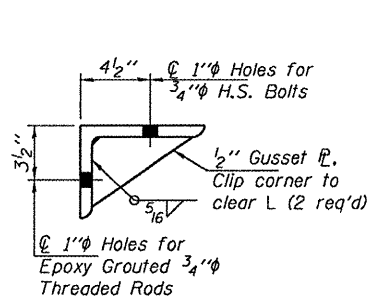
TYPICAL SECTION AT END OF SUPPORT BEAMS



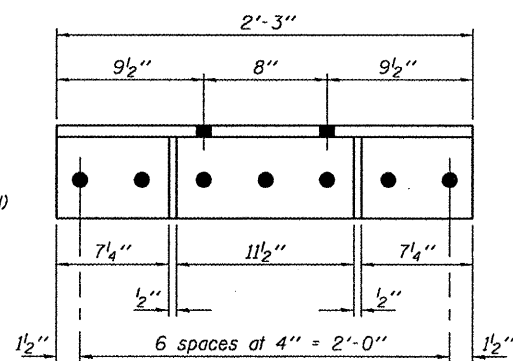
BENT P E
1/2" x 1'-6" x 2'-0" (10 Required)



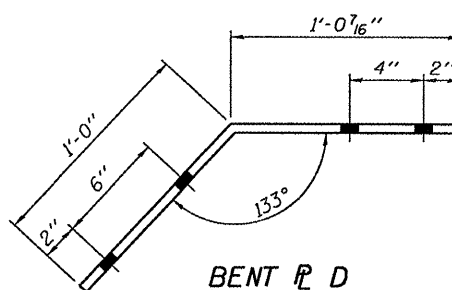
BENT P E ELEVATIONS



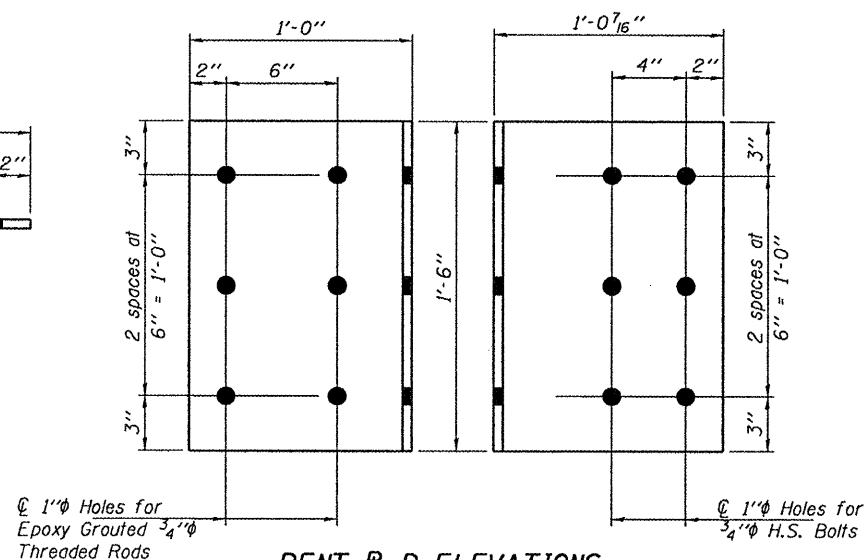
SECTION THRU L F



L F
L 8 x 6 x 3/4 x 2'-3" (10 Required)



BENT P D
1/2" x 1'-6" x 2'-0 7/16" (10 Required)



BENT P D ELEVATIONS

DESIGNED - ATH	EXAMINED
CHECKED - VHV	PASSED
DRAWN - Kyle M. Steffen	
CHECKED - ATH VHV	

 ACTING ENGINEER OF STRUCTURAL SERVICES	DATE - MARCH 15, 2011
 ACTING ENGINEER OF BRIDGES AND STRUCTURES	

STATE OF ILLINOIS DEPARTMENT OF TRANSPORTATION

REPAIR DETAILS SN 027-0072

SHEET NO. 1 OF 2 SHEETS

F.A. RTE. 796	SECTION (106-BR-41)	COUNTY FORD	TOTAL SHEETS 6	SHEET NO. 6
			CONTRACT NO. 66825	
ILLINOIS FED. AID PROJECT				