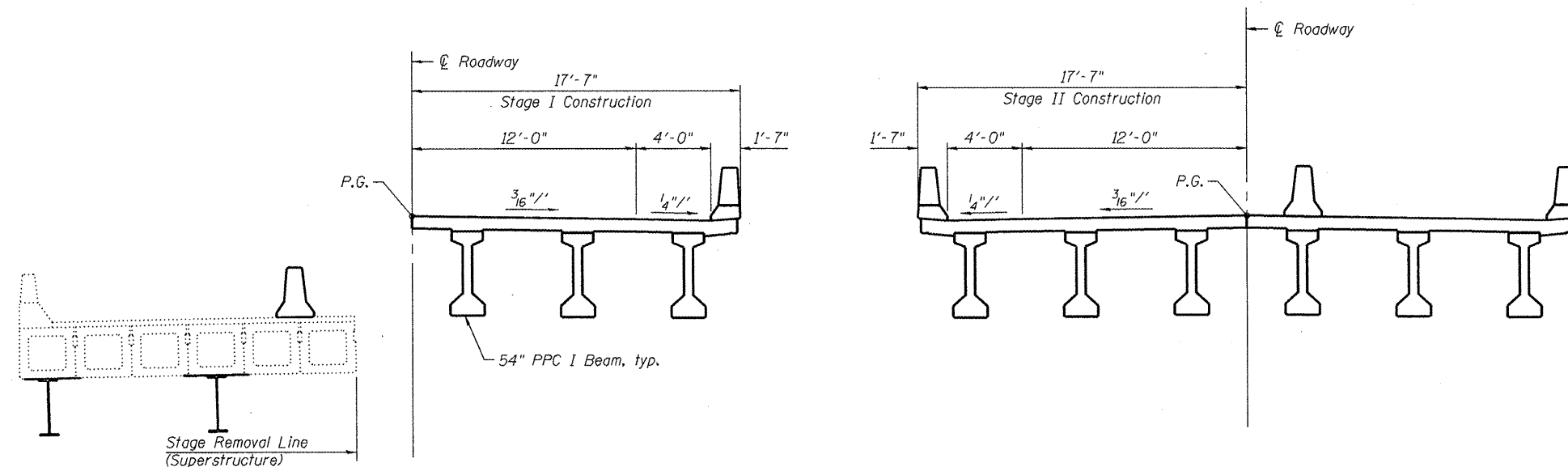


**STAGE I REMOVAL**

**STAGE II REMOVAL**



**STAGE I CONSTRUCTION**

**STAGE II CONSTRUCTION**

**Notes:**  
 All Cross Sections are looking North.  
 Hatched area indicates Removal of Existing Structures.  
 See sheet 5 of 41 for Temporary Concrete Barrier details. See Roadway Plans for quantity.  
 Existing abutments shall not be removed in stages. Any necessary removal of the existing abutments shall be performed after Stage I construction is complete and traffic is shifted to Stage II traffic lane.  
 Temporary Support Beams shall be in place prior to shifting traffic or performing any removal of the existing structure. See Temporary Support Beam details in Roadway Plans.  
 During demolition of Stage II Construction steel beam supports to be salvaged and remain the property of the State. Contractor to deliver beams to: IDOT Bridge Maintenance Yard, 604 Camp Street, East Peoria, IL 61611. IDOT personnel can provide equipment necessary to assist with unloading, coordinate with Brian Ruder (309)699-3822. Cost Included with Removal of Existing Structures.

USER NAME = dheberling	DESIGNED - BRD/FLL	REVISED -
FILE NAME = 0550083-6848Z.dgn	CHECKED - SDS/JHP	REVISED -
PLOT DATE = 12/21/2010	DRAWN - DLH	REVISED -
PLOT TIME = 10:30:00 AM	CHECKED - CWC/SDS	REVISED -

**WHKS & CO.**  
 ENGINEERING  
 7018 KINGSMILL CT.,  
 SPRINGFIELD, IL  
 (217) 483-9457  
 DESIGN FIRM #184001036

**STATE OF ILLINOIS**  
**DEPARTMENT OF TRANSPORTATION**

**STAGE CONSTRUCTION DETAILS**  
**S.N. 055-0083**

SHEET NO. 3 OF 41 SHEETS

F.A.P. RTE. NO. 542	SECTION 105BR-1	COUNTY MCDONOUGH	TOTAL SHEETS 117	SHEET NO. 43
CONTRACT NO. 68482				
ILLINOIS FED. AID PROJECT				