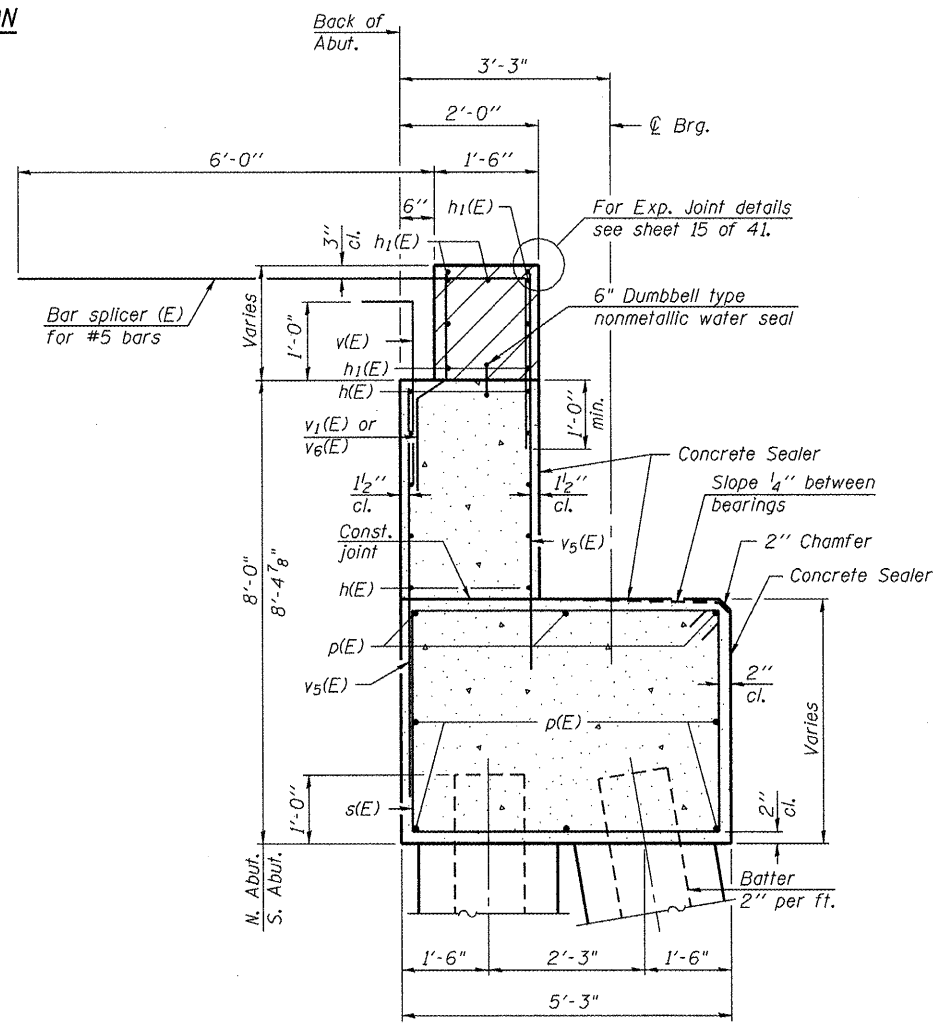
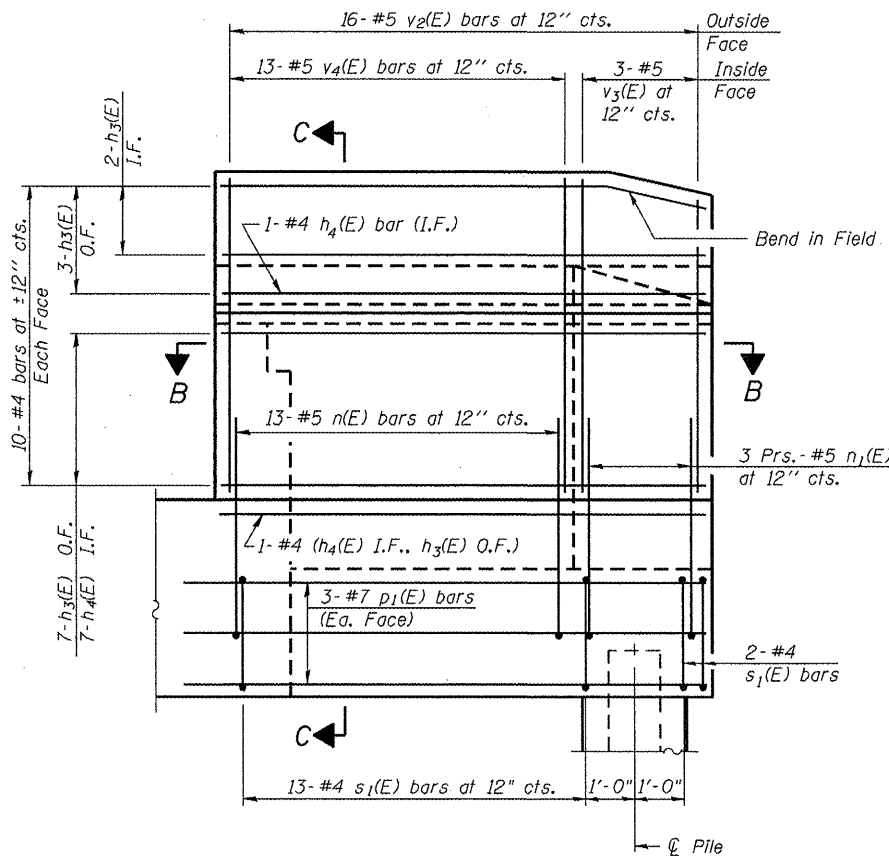


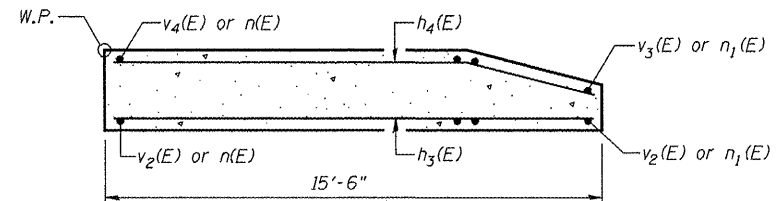
WING WALL ELEVATION
Showing Dimensions



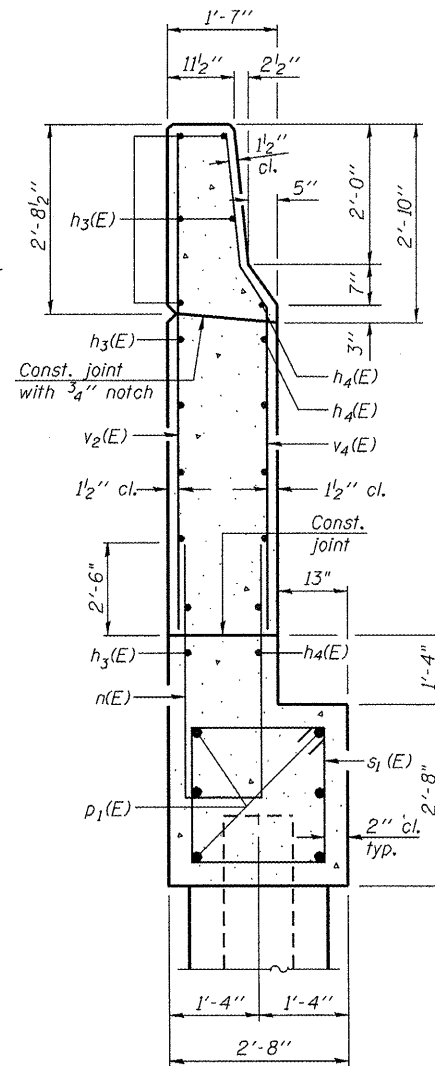
SEC. THRU ABUT.



WING WALL ELEVATION
Showing Reinforcement



SECTION B-B



SECTION C-C

Notes:
Hatched area to be poured after superstructure false work has been removed. Quantity of concrete included with Concrete Superstructure.
Space reinforcement in cap to miss anchor bolts.
Pour steps monolithically with cap.
Quantity of concrete in end post included with Concrete Superstructure on sheet 13 of 41.
For Concrete Encasement details, see sheet 31 of 41.

A-1-D

7-1-10

USER NAME = dheberling	DESIGNED - BRD/FLL	REVISED -
FILE NAME = 0550083-68482.dgn	CHECKED - SDS/JHP	REVISED -
PLOT DATE = 12/21/2010	DRAWN - DLH	REVISED -
PLOT TIME = 10:31:04 AM	CHECKED - CWC/SDS	REVISED -

WHKS & CO.
ENGINEERING
7018 KINGSMILL CT.,
SPRINGFIELD, IL
(217) 483-9457
DESIGN FIRM #184001038

STATE OF ILLINOIS
DEPARTMENT OF TRANSPORTATION

ABUTMENT DETAILS
S.N. 055-0083

SHEET NO. 26 OF 41 SHEETS

F.A.P. RTE. 542	SECTION 105BR-1	COUNTY MCDONOUGH	TOTAL SHEETS 117	SHEET NO. 66
CONTRACT NO. 68482				ILLINOIS FED. AID PROJECT