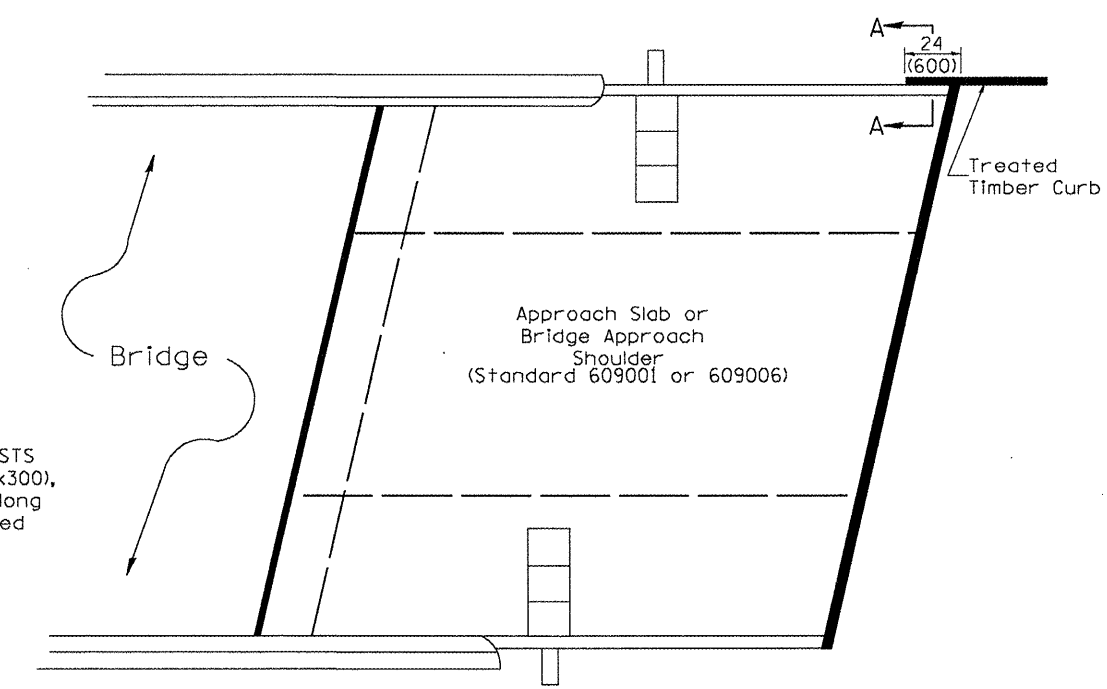
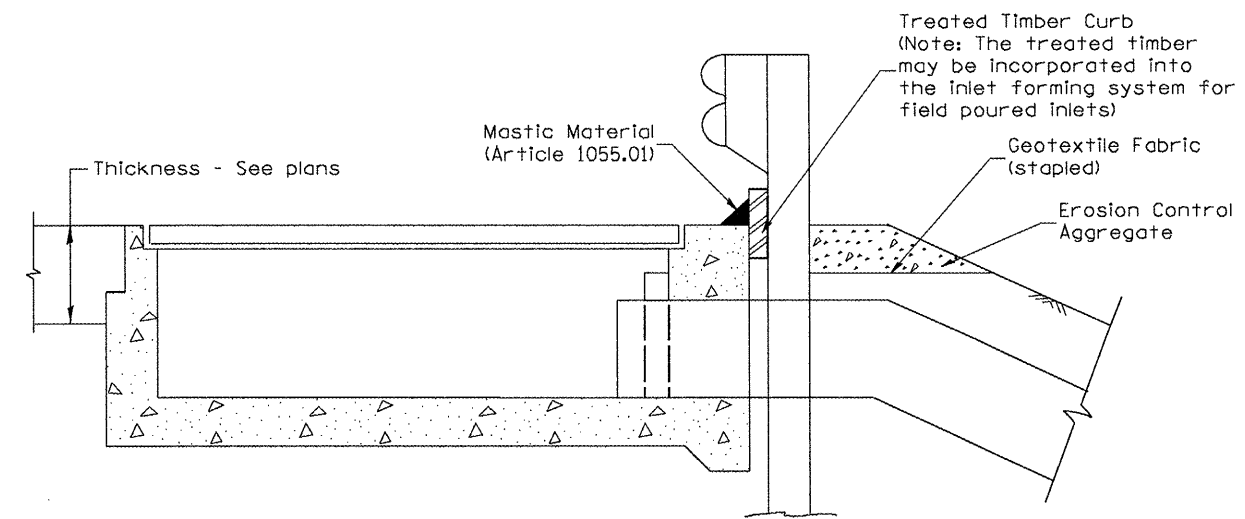


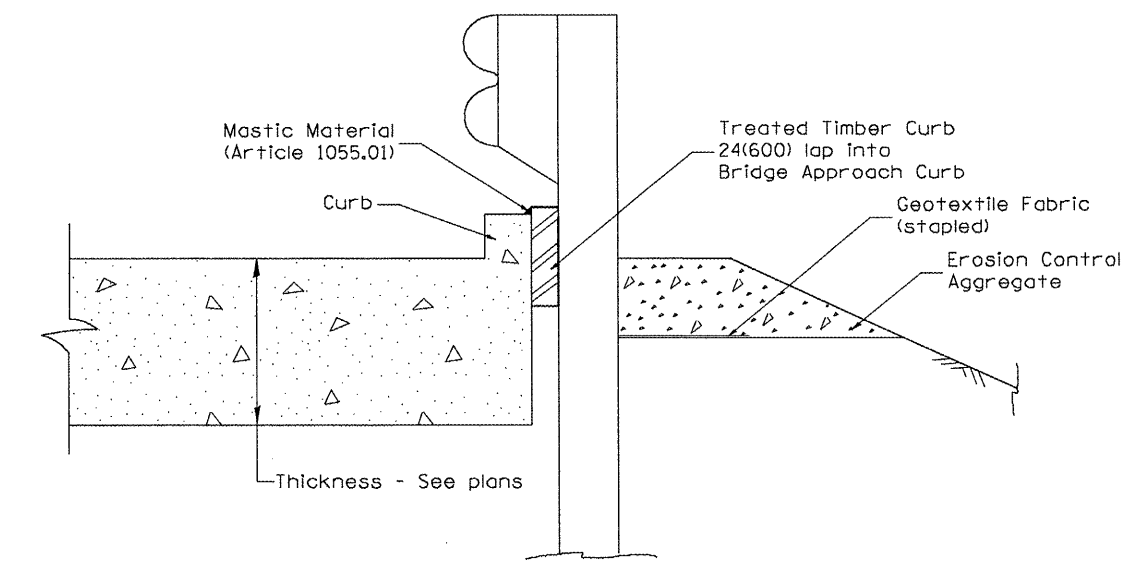
DETAIL A
(Typical Treated Timber Splices)



PLAN VIEW
APPROACH SLAB OR BRIDGE APPROACH SHOULDER
(STANDARD 609001 or 609006)



TYPICAL SECTION WITH EROSION CONTROL CURB
AT INLETS TYPE E & F (STANDARD 610001)



SECTION A-A
TYPICAL SECTION WITH EROSION CONTROL CURB
AT BRIDGE APPROACH CURB
(STANDARD 609001 OR 609006)

All dimensions are in inches (millimeters) unless otherwise noted.

USER NAME - g.jameson	DESIGNED -	REVISED -		7018 KINGSMILL CT., SPRINGFIELD, IL (217) 483-9457 DESIGN FIRM #184001030	STATE OF ILLINOIS DEPARTMENT OF TRANSPORTATION	GUARDRAIL EROSION CONTROL TREATMENTS DISTRICT 4 STANDARDS	F.A.P. RTE. 542	SECTION 105BR-1	COUNTY MCDONOUGH	TOTAL SHEETS 117	SHEET NO. 112
FILE NAME - D468482-sh-01514	DRAWN -	REVISED -					SCALE: N.T.S.	SHEET NO. 2 OF 2 SHEETS	STA. TO STA.	ILLINOIS FED. AID PROJECT	CONTRACT NO. 68482
PLOT DATE - 12/21/2010	CHECKED -	REVISED -									
PLOT TIME - 11:31:57 AM											