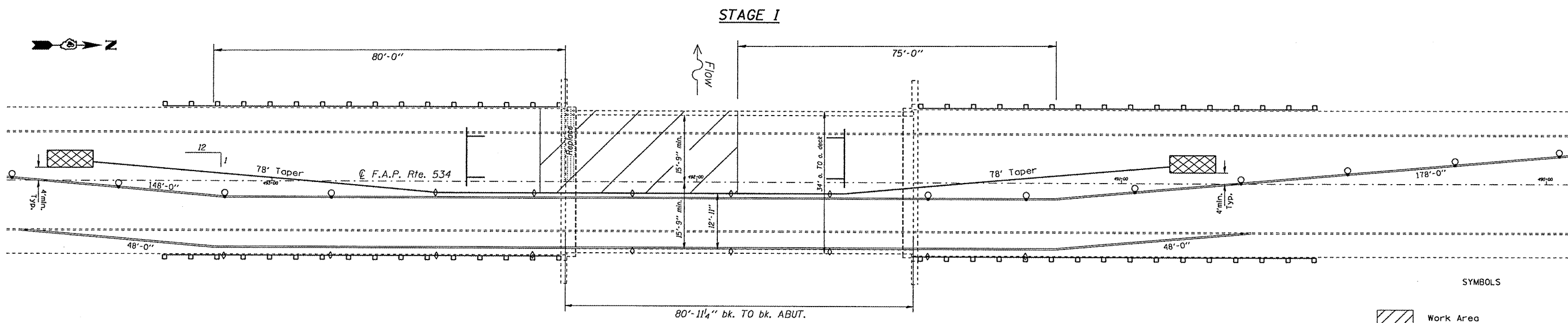
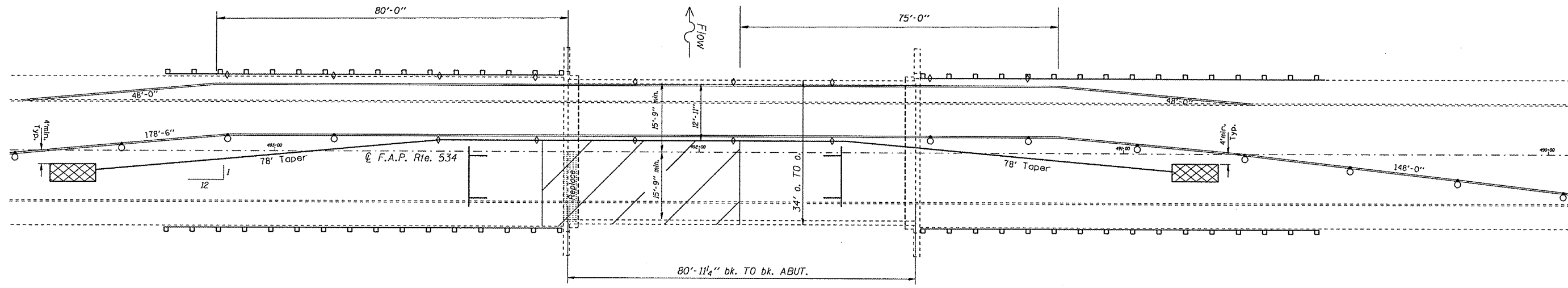
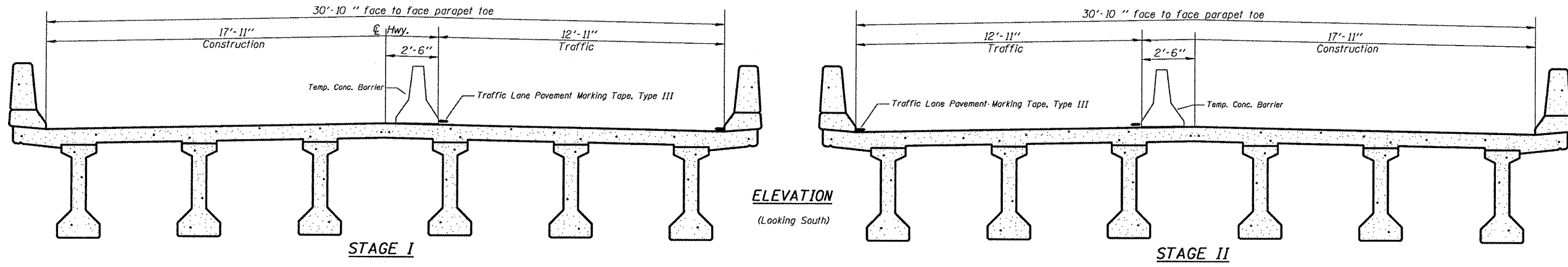


# STRUCTURE CARRYING IL94 OVER HONEY CRK



**NOTES**  
Refer to Highway Standard 701321 for exact placement of traffic management devices and other clarifications as construction staging symbols and dimensioning were duplicated off of this standard. Temporary Traffic Signals shown in Standard 701321 are to be installed by others. Removal of these signals is included in this contract. See Special Provisions.

Place rumble strips North of the bridge as shown in STD. 701321 or as directed by the engineer

- SYMBOLS
- Work Area
  - Type II Barricade
  - Drum w/ steady burning light
  - Type C bidirectional reflector
  - Temporary Concrete Barrier
  - Impact Attenuator NRD TL3

FILE NAME =	USER NAME = \$USER*	DESIGNED - D CORP	REVISED -
*FILE#		DRAWN - D CORP	REVISED -
	PLOT SCALE = \$SCALE*	CHECKED - C JONES	REVISED -
	PLOT DATE = \$DATE*	DATE - 2/10/11	REVISED -

**STATE OF ILLINOIS**  
**DEPARTMENT OF TRANSPORTATION**

<b>PROPOSED TRAFFIC CONTROL</b>	
<b>SN 036-0010</b>	
SCALE: _____	SHEET NO. 10 OF 18 SHEETS
STA. 491+90 TO STA. 492+90	

F.A.P. RTE.	SECTION	COUNTY	TOTAL SHEETS	SHEET NO.
534	(11)BRJ	HENDERSON	18	9
BRIDGE JOINT REPL.		CONTRACT NO. 68998		
ILLINOIS FED. AID PROJECT				