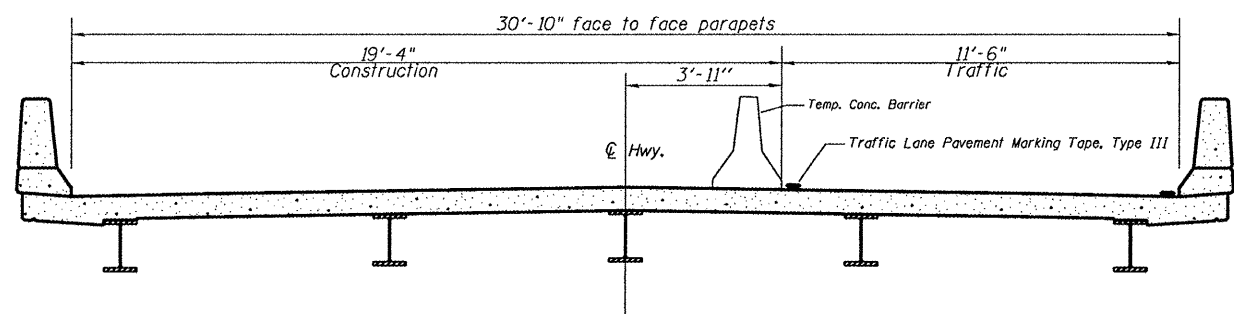
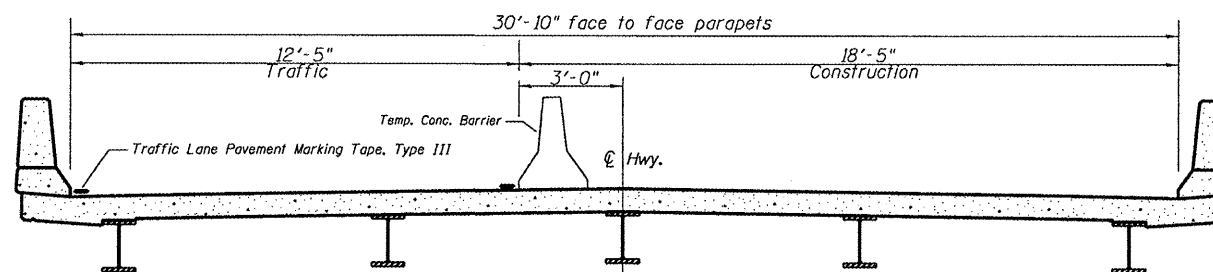


# STRUCTURE CARRYING IL164 OVER HENDERSON CRK



CROSS SECTION  
(Looking East)

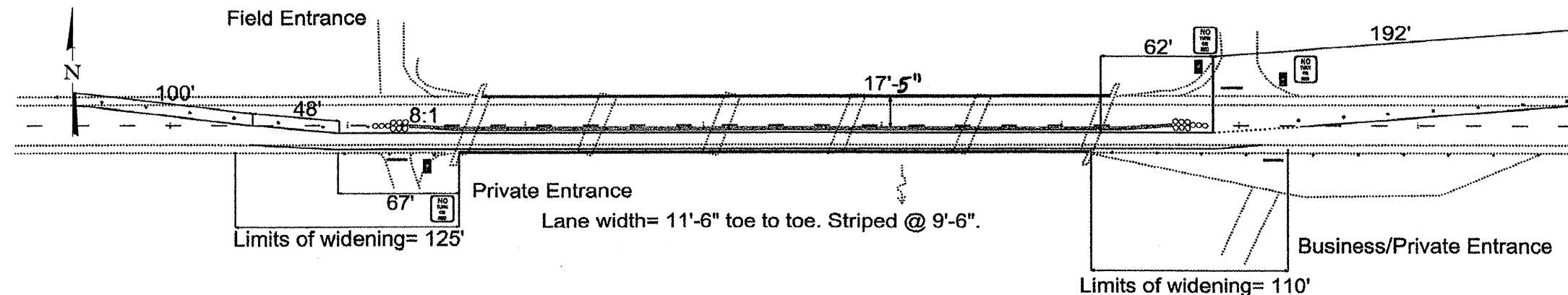
STAGE 1



CROSS SECTION  
(Looking East)

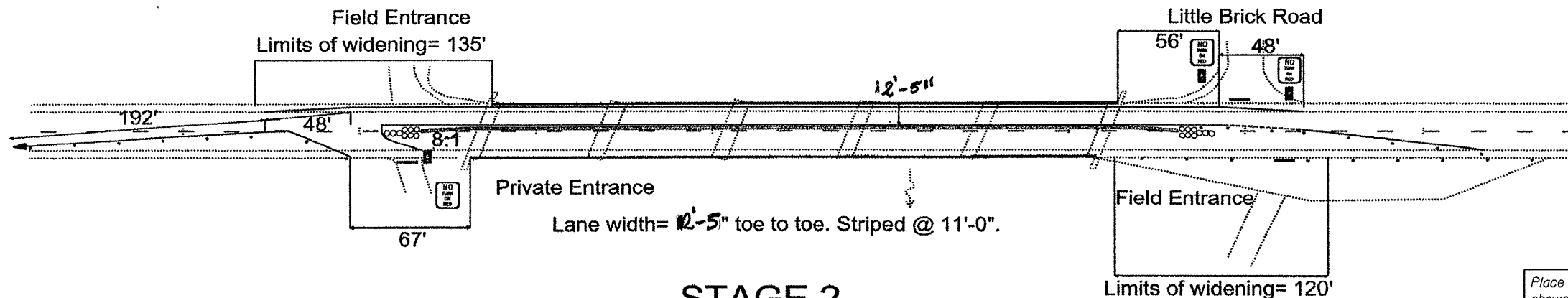
STAGE 2

## STAGE 1



BOTH STAGES USED IN CONJUNCTION WITH 701321.  
STRIPING SHOWN SHALL BE INCLUSIVE OF STD. 701321.  
5 (five) Signal locations required.

## STAGE 2



Place rumble strips East of the bridge as shown in STD. 701321 or as directed by the engineer

FILE NAME =	USER NAME = *USER*	DESIGNED - D CORP	REVISED -	<b>STATE OF ILLINOIS DEPARTMENT OF TRANSPORTATION</b>	<b>PROPOSED TRAFFIC CONTROL SN 036-0037</b>		F.A.P. RTE.	SECTION	COUNTY	TOTAL SHEETS	SHEET NO.	
#FILE#		DRAWN - D CORP	REVISED -		SCALE: _____	SHEET NO. 14 OF 18 SHEETS	STA. 90+50 TO STA. 99+75	657	(116C1-BR)-1	HENDERSON	18	13
		CHECKED - C JONES	REVISED -					BRIDGE JOINT REPL.		CONTRACT NO. 68998		
		DATE - 2/10/11	REVISED -		ILLINOIS FED. AID PROJECT							