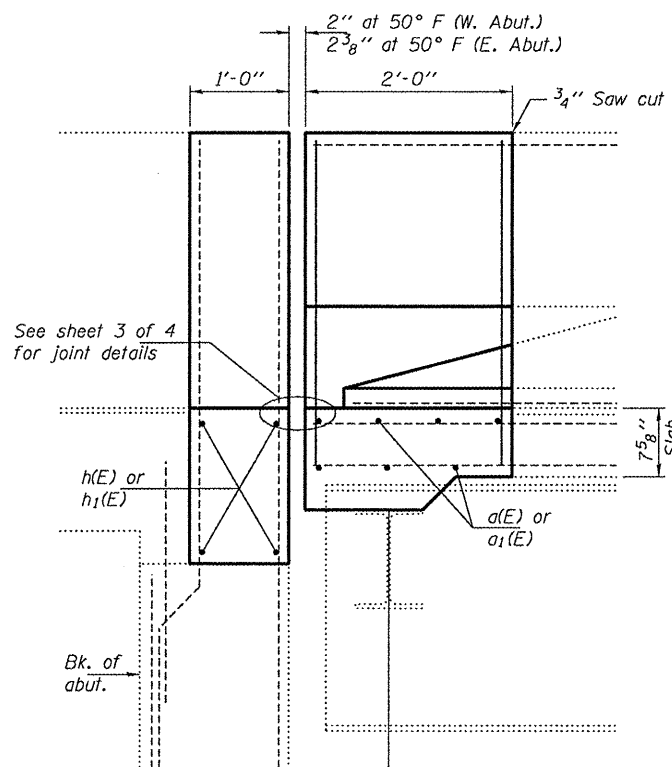
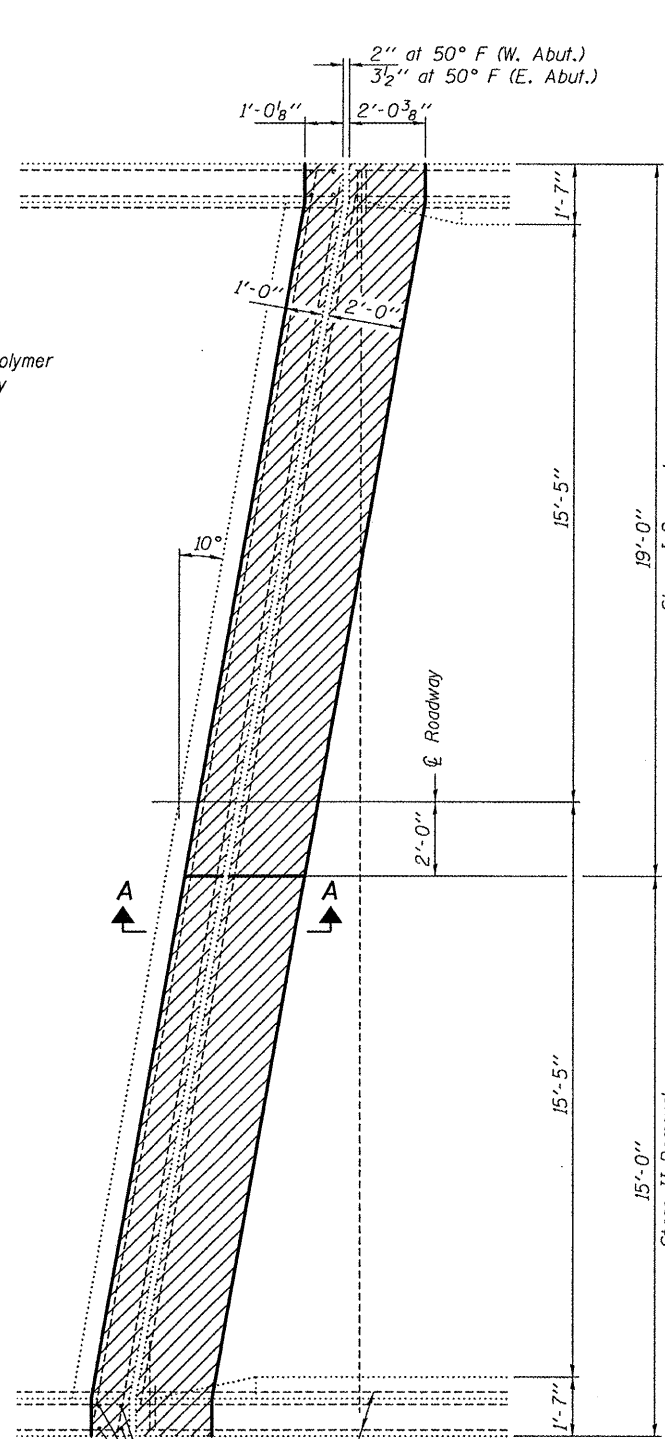


**SECTION A-A**  
(Dimensions at RT L's to end of deck)



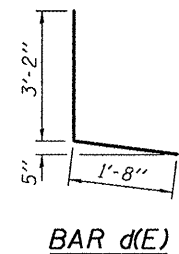
**SECTION B-B**  
(Dimensions at RT L's to end of deck)



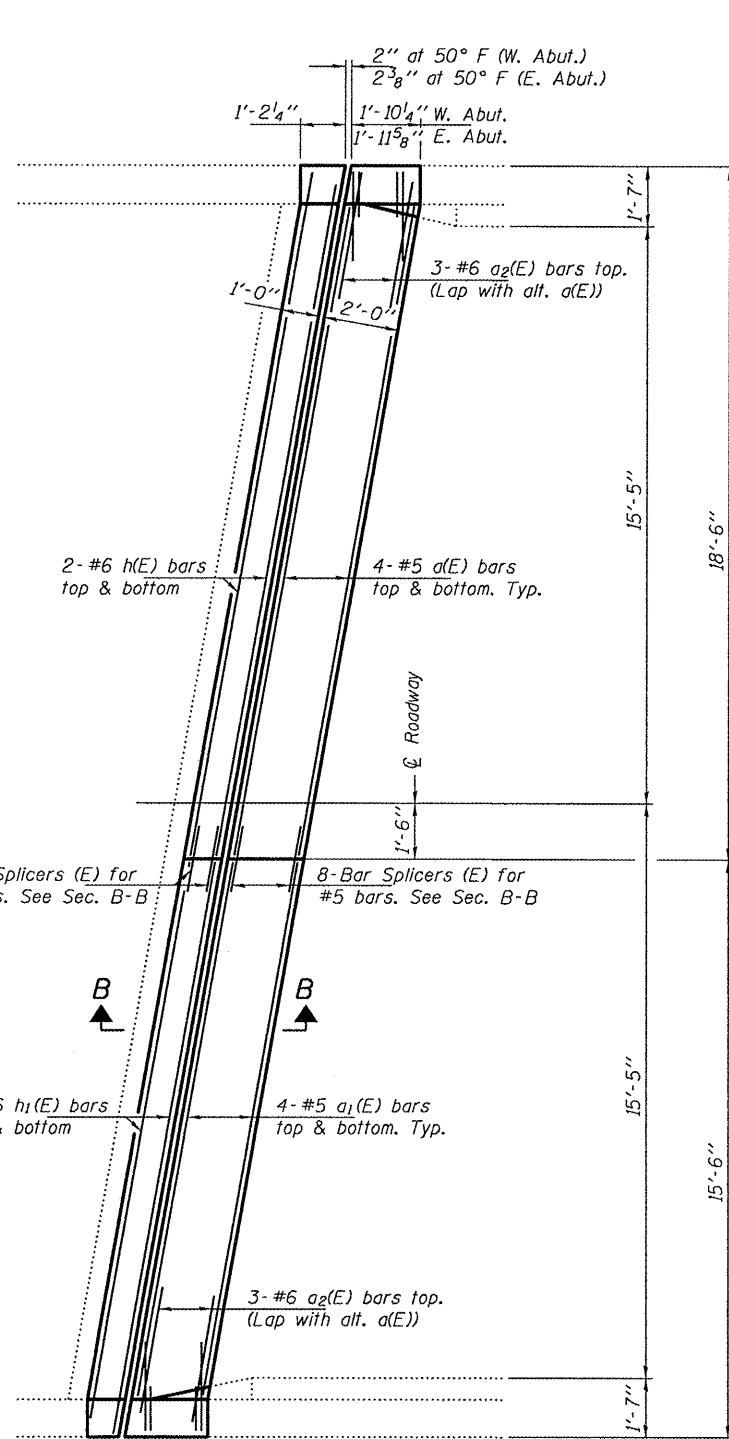
**REMOVAL PLAN**

West abutment shown.  
East abutment similar by rotation, except as shown.

Notes:  
Hatched areas indicate removal.  
Removal of existing joint is included with Concrete Removal.

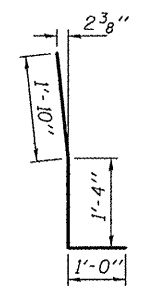


**BAR d(E)**

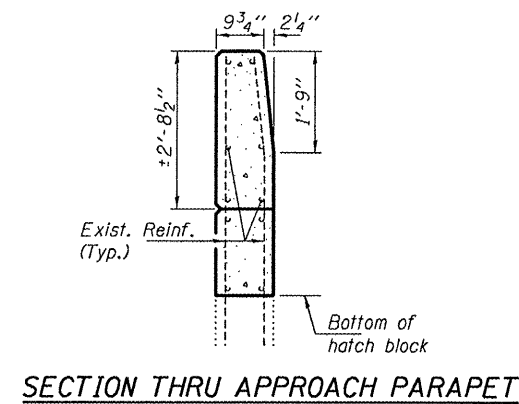


**REPLACEMENT PLAN**

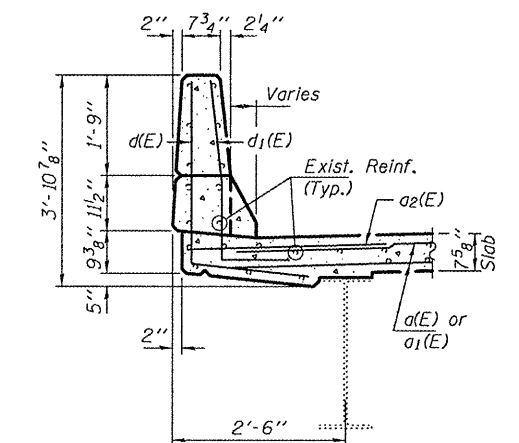
West abutment shown.  
East abutment similar by rotation, except as shown.



**BAR d1(E)**



**SECTION THRU APPROACH PARAPET**



**TYPICAL PARAPET SECTION**

**BILL OF MATERIAL**

Bar	No.	Size	Length	Shape
a(E)	16	#5	17'-8"	—
a1(E)	16	#5	14'-7"	—
a2(E)	12	#6	4'-0"	—
d(E)	12	#4	4'-10"	L
d1(E)	12	#5	4'-2"	L
h(E)	8	#6	18'-6"	—
h1(E)	8	#6	15'-3"	—
Bar Splicers		Each	24	
Concrete Removal		Cu. Yd.	10.8	
Concrete Superstructure		Cu. Yd.	10.9	
Reinforcement Bars, Epoxy Coated		Lbs.	1110	

DESIGNED IJL  
CHECKED ATH  
DRAWN baliva  
CHECKED IJL ATH

EXAMINED *James F. J...* DATE MARCH 30, 2011  
ACTING ENGINEER OF STRUCTURAL SERVICES  
PASSED *Carl...*  
ACTING ENGINEER OF BRIDGES AND STRUCTURES

STATE OF ILLINOIS  
DEPARTMENT OF TRANSPORTATION

REPAIR DETAILS  
SN 036-0037

SHEET NO. 2 OF 4 SHEETS

F.A.P. RITE. 534 SECTION 011BR11 COUNTY HENDERSON TOTAL SHEETS 16 SHEET NO. 15 CONTRACT NO. 68998 ILLINOIS FED. AID PROJECT