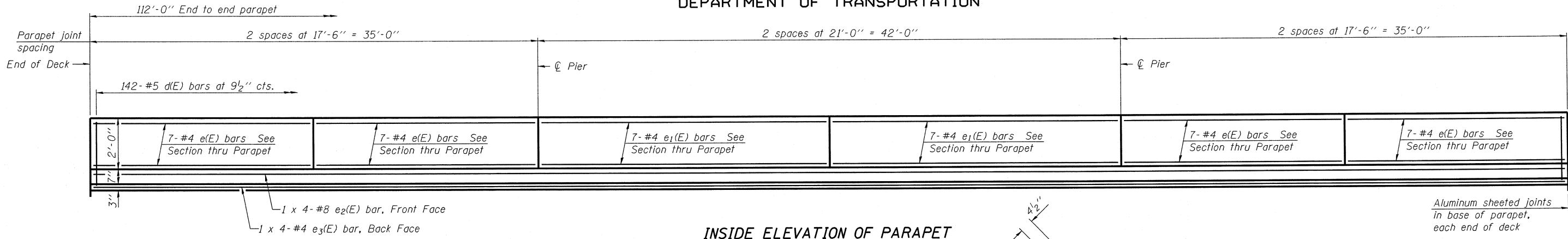
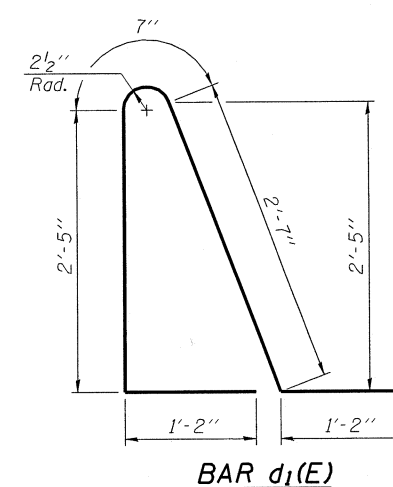
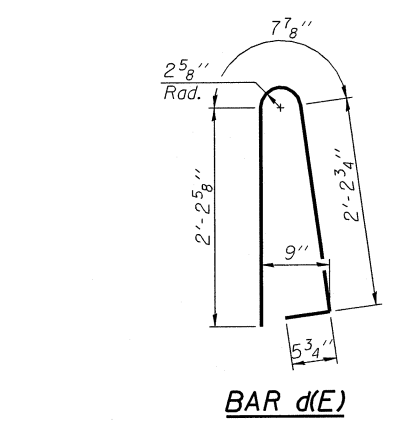
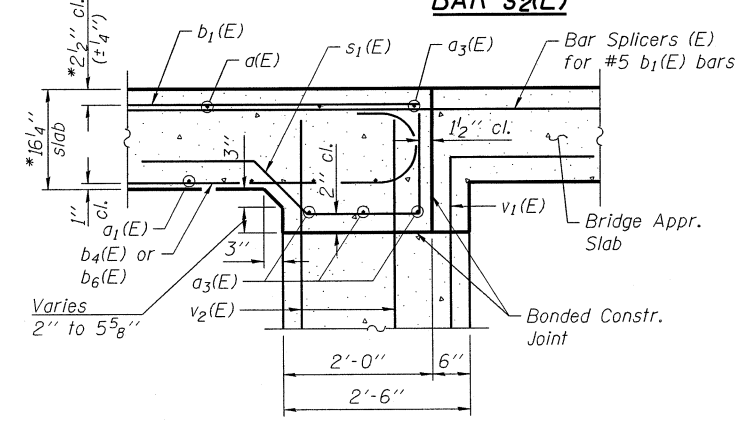
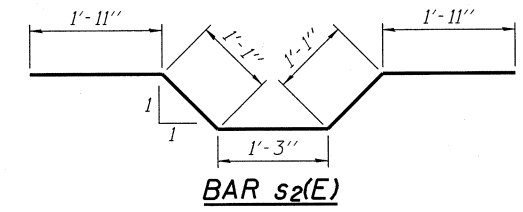
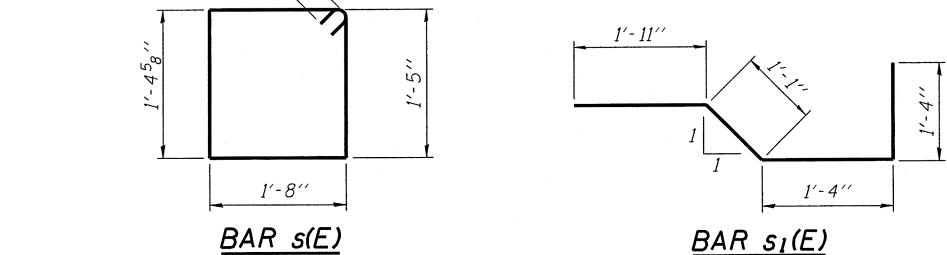
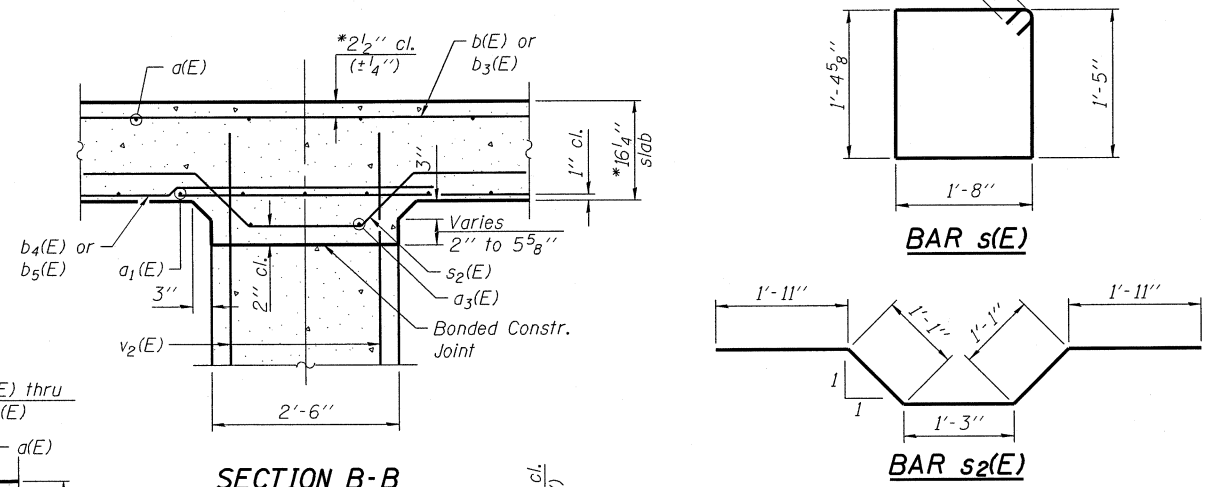


STATE OF ILLINOIS  
DEPARTMENT OF TRANSPORTATION

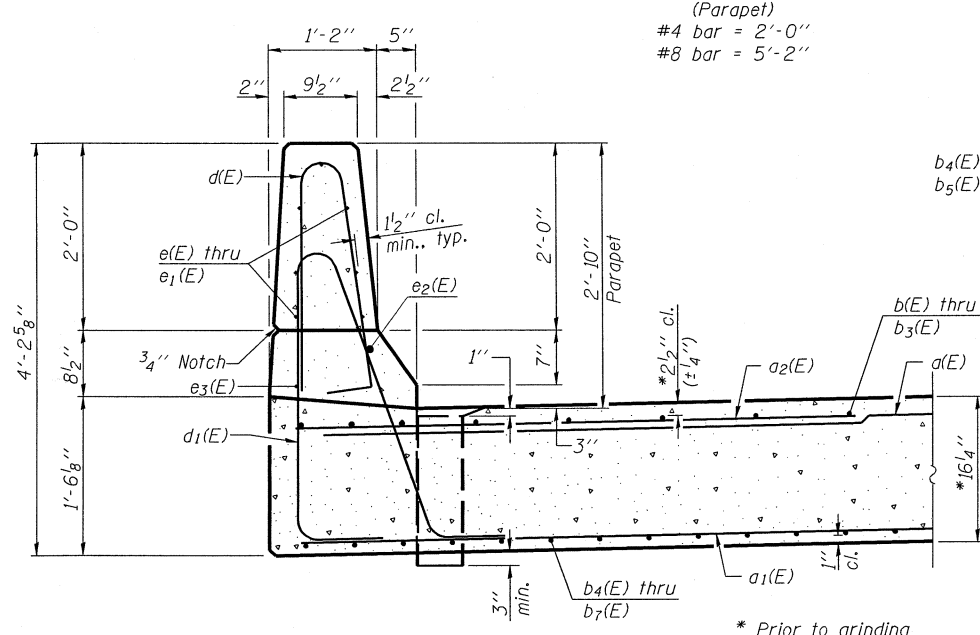


INSIDE ELEVATION OF PARAPET

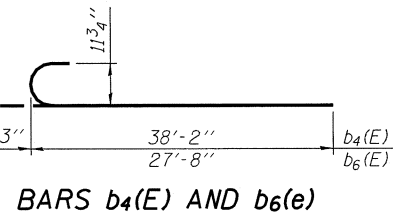


MINIMUM BAR LAP

(Parapet)  
#4 bar = 2'-0"  
#8 bar = 5'-2"

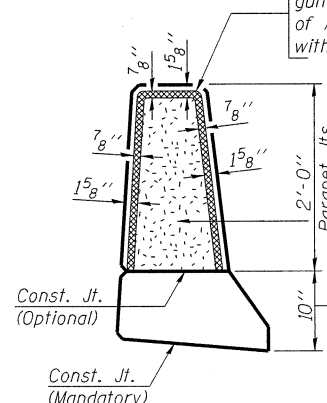


SECTION THRU PARAPET



SECTION A-A

Non-staining gray one component non-sag elastomeric gun grade polyurethane sealant meeting the requirements of ASTM C-920, Type S, Grade NS, Class 25, use T with a 5/8" backer rod.



PARAPET JOINT DETAILS

1/2" Preformed Self-Expanding Cork Joint Filler according to Article 1051.07 of the Std. Spec. Cost included with Concrete Superstructure.

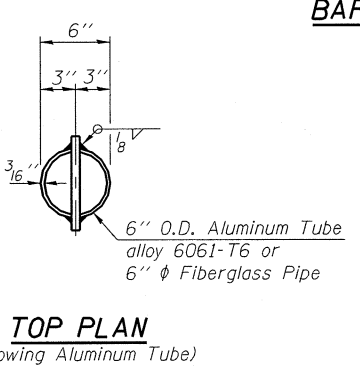
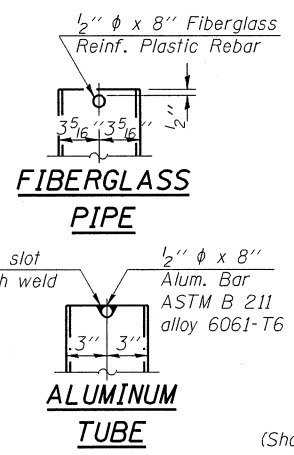
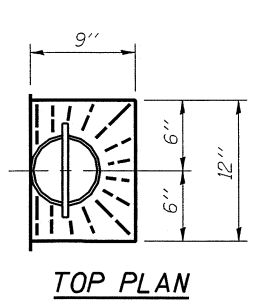
Const. Jts. at Abutments only. 1/8" Aluminum sheet ASTM B 209 alloy 3003-H14 coated to minimize reaction with wet concrete. Cost included with Concrete Superstructure.

SUPERSTRUCTURE  
BILL OF MATERIAL

Bar	No.	Size	Length	Shape
a(E)	150	#5	17'-3"	—
a1(E)	268	#5	17'-3"	—
a2(E)	150	#6	6'-6"	—
a3(E)	24	#5	17'-6"	—
b(E)	88	#9	36'-0"	—
b1(E)	88	#5	18'-4"	—
b2(E)	44	#9	23'-6"	—
b3(E)	84	#10	18'-2"	—
b4(E)	76	#9	39'-5"	—
b5(E)	38	#9	48'-7"	—
b6(E)	72	#9	28'-11"	—
b7(E)	36	#9	27'-10"	—
d(E)	284	#5	5'-7"	—
d1(E)	284	#5	7'-11"	—
e(E)	56	#4	17'-2"	—
e1(E)	28	#4	20'-8"	—
e2(E)	8	#8	31'-10"	—
e3(E)	8	#4	29'-6"	—
s(E)	270	#4	6'-11"	—
s1(E)	72	#5	5'-8"	—
s2(E)	72	#5	7'-3"	—
Reinforcement Bars, Epoxy Coated		Pound	66990	
Concrete Superstructure		Cu. Yd.	235.5	

Bars indicated thus 1 x 4-#4 etc. indicates 1 line of bars with 4 lengths per line.

SUPERSTRUCTURE DETAILS  
STRUCTURE NO. 074-0087



Notes:  
The exterior surfaces of the floor drains shall be coated or pigmented by the manufacturer with a color that matches the concrete.  
Fiberglass pipe shall conform to ASTM D 2996, with short-time rupture strength hoop tensile stress of 30,000 p.s.i. minimum.

MAURER & STUTZ, INC.  
ENGINEERS SURVEYORS

DESIGNED - BAS
CHECKED - KEF
DRAWN - SGM
CHECKED - BAS

SHEET NO. 7 16 SHEETS	F.A.S. RTE.	SECTION	COUNTY	TOTAL SHEETS	SHEET NO.
	1517	11BR-1	PIATT	48	24
FED. ROAD DIST. NO. _			ILLINOIS FED. AID PROJECT		
CONTRACT NO. 70613					