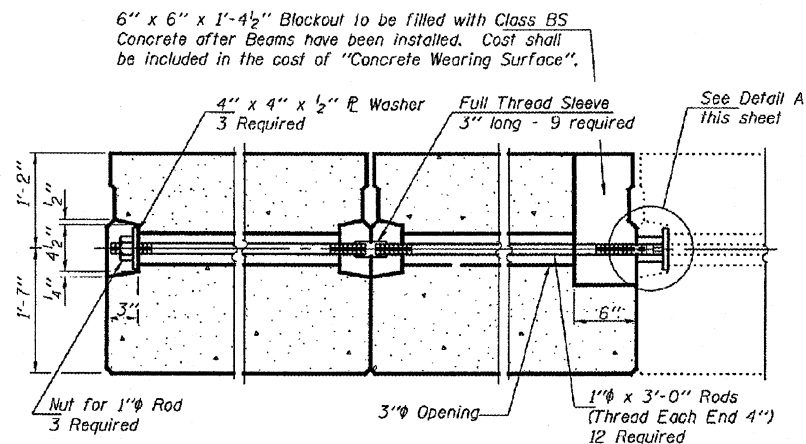


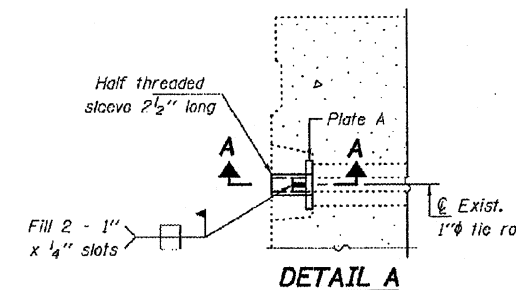
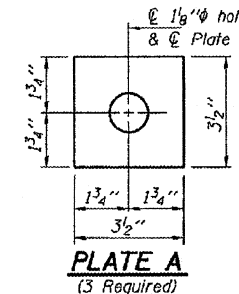
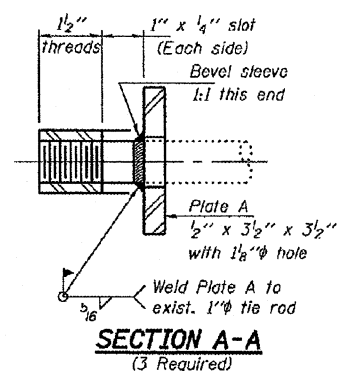
STATE OF ILLINOIS
DEPARTMENT OF TRANSPORTATION

ROUTE NO.	SECTION	COUNTY	TOTAL SHEETS	SHEET NO.
SBI 39		PIATT	18	12
FED. ROAD DIST. NO. 7	ILLINOIS	FED. AID PROJECT		

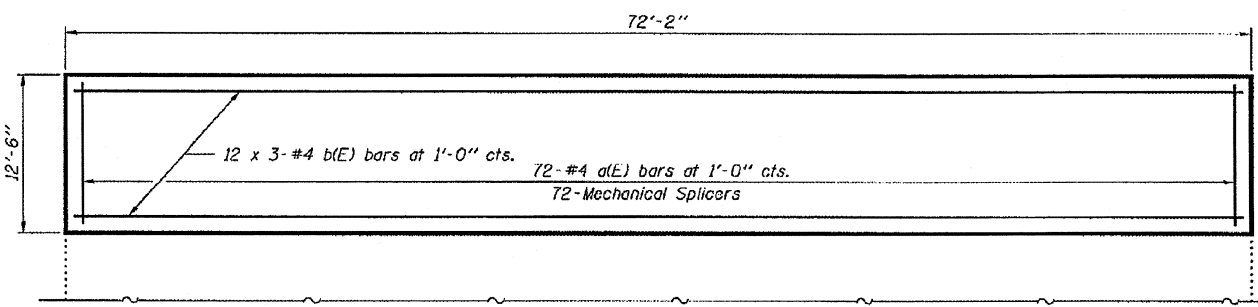
Contract Number: 70699



TYPICAL TRANSVERSE TIE ASSEMBLY

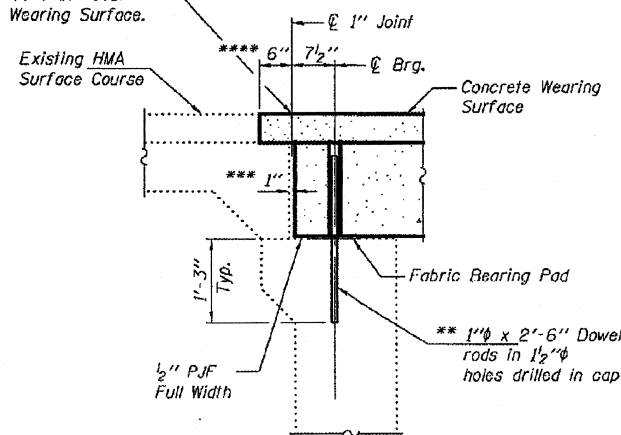


SHOWN FOR INFORMATION ONLY



PARTIAL CONCRETE WEARING SURFACE PLAN

Saw cut after resurfacing, 1/4" wide by 3/4" deep. Seal with elastic joint sealer in accordance with Article 589 of the Standard Specifications. Cost included with Concrete Wearing Surface.

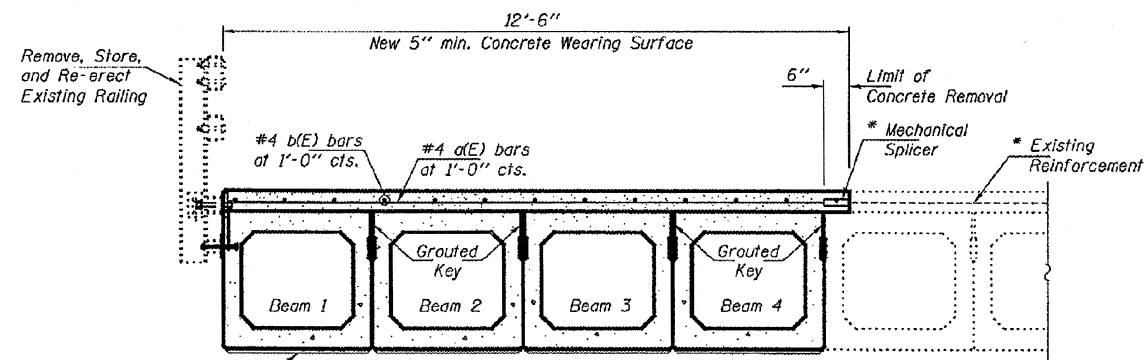


TYPICAL SECTION AT ABUTMENT

** Existing dowel rods are to be burned off, ground flush, and sealed with epoxy prior to placement of new beams. Cost included in Removal of Existing PPC Deck Beams. After beams have been erected holes shall be drilled into cap and dowel rods placed. Dowel holes shall be filled with non-shrink grout to top of beam and allowed to cure a minimum of 24 hours prior to grouting the shear keys.

*** 1" Joint shall be filled with non-shrink grout. Dimension may vary to accommodate tolerance in beam lengths.

**** Limits of HMA Surface Removal. Cost included with Concrete Removal



PARTIAL CROSS SECTION

(Looking East)
Showing Reinforcement

* Attach existing reinforcement with mechanical splicers. Existing reinforcement to extend 6" (min.) into the removal area to allow attachment of the mechanical splicers.

DESIGNED	AJB
CHECKED	VHV
DRAWN	Steffan
CHECKED	AJB VHV

FEBRUARY 25, 2008
EXAMINED *Carl Perry*
ENGINEER OF STRUCTURAL SERVICES
PASSED *Ralph E. Anderson*
ENGINEER OF BRIDGES AND STRUCTURES

MIN. BAR LAPS
#4 Bar = 1'-4"

BILL OF MATERIAL

Bar	No.	Size	Length	Shape
a(E)	72	#4	12'-4"	—
b(E)	36	#4	24'-10"	—
Reinforcement Bars, Epoxy Coated		Pound		1190
Concrete Removal		Cu. Yd.		0.7
Concrete Wearing Surface		Sq. Yd.		100.7

Bars indicated thus 12 x 3-#4 etc. Indicates 12 lines of bars with 3 lengths per line.

REPAIR DETAILS
SBI 39 OVER
SOUTH BRANCH SALT CREEK
PIATT COUNTY
SN 074-0008