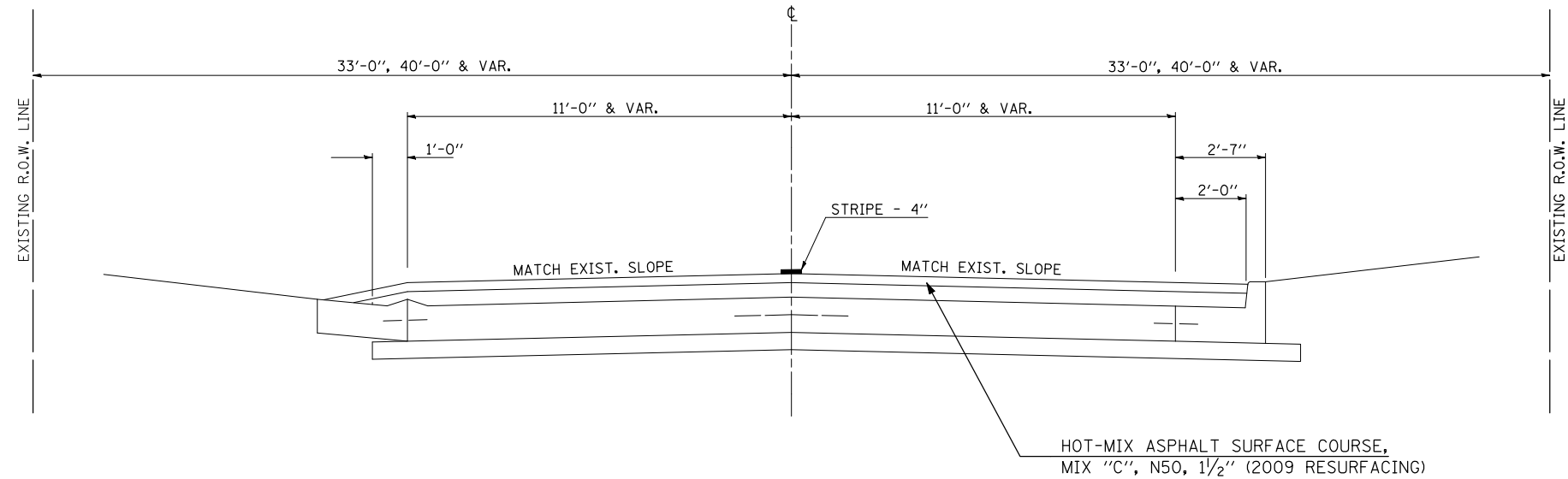


EXISTING TYPICAL CROSS SECTION ⑤

FAP 721 (IL 105)

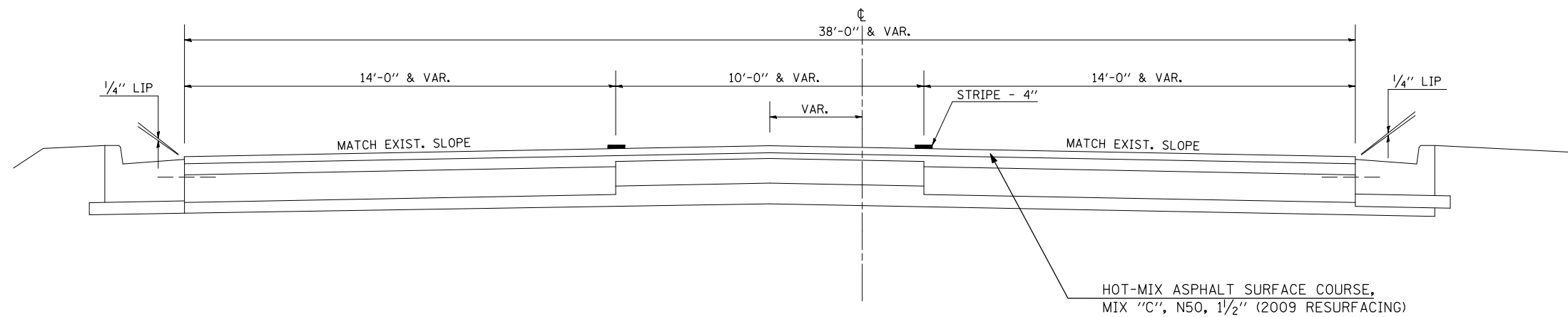
STATION	I/O	STATION	
④ 889+02.00 (AH) 890+86.10	I/O	890+88.40 (BK) 892+40.00 ①	STA EQN 890+88.40(BK) = 890+86.10(AH)



EXISTING TYPICAL CROSS SECTION ⑥

FAP 721 (IL 105)

STATION	I/O	STATION	
① 277+12.59 (AH) 50+00.00 (AH)	I/O	270+36.69 (BK) 56+95.70 (IL 105W)	STA EQN 270+36.69(BK) = 50+00.00(AH)



LOCATION #7
SHEET 3 OF 3

- D5 CRACK & JOINT SEAL 2011-1
- DEWITT, MCLEAN & PIATT

FILE NAME =	USER NAME = bucklesjj	DESIGNED -	REVISED -	STATE OF ILLINOIS DEPARTMENT OF TRANSPORTATION	TYPICAL CROSS SECTIONS			F.A. RTE.	SECTION	COUNTY	TOTAL SHEETS	SHEET NO.	
ct:\pw\work\p\dot\bucklesjj\d0252724\0570880-sh-typical.dgn		DRAWN -	REVISED -		SCALE:	SHEET NO.	OF	SHEETS	STA.	TO STA.	•	33	27
		CHECKED -	REVISED -		CONTRACT NO. 70880								
		DATE -	REVISED -		ILLINOIS FED. AID PROJECT								