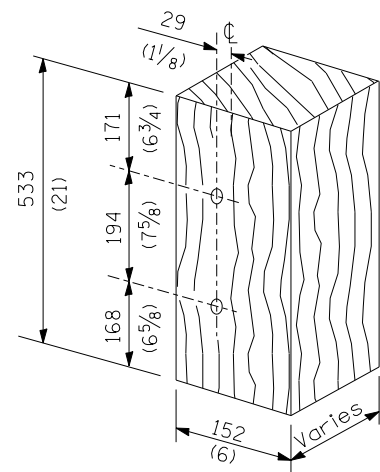
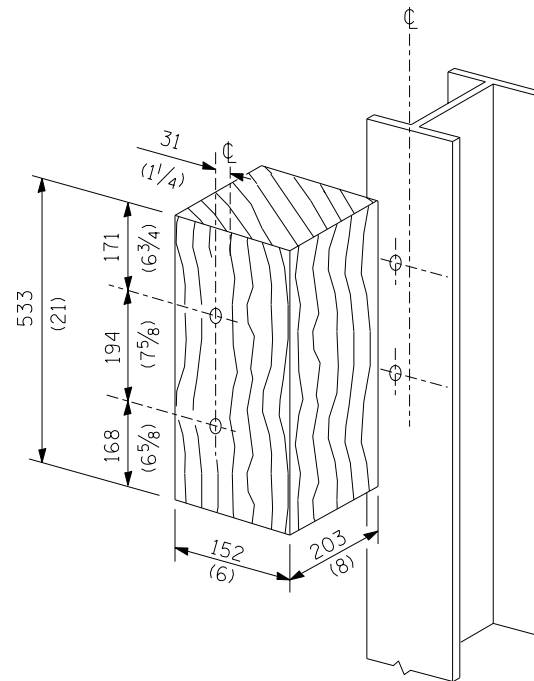


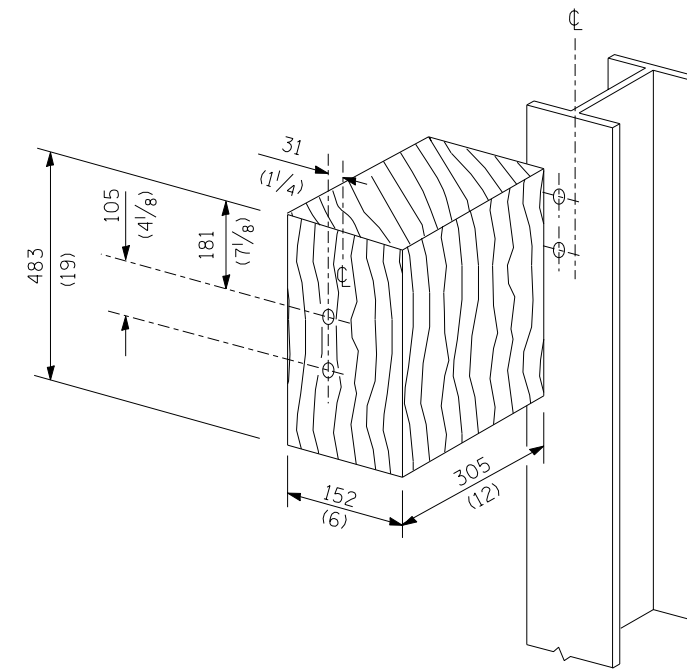
# TRAFFIC BARRIER TERMINAL, TYPE 6B (SPECIAL) SN 057-0159 and SN 057-0160



MODIFIED THICKNESS WOOD BLOCKOUT DETAIL

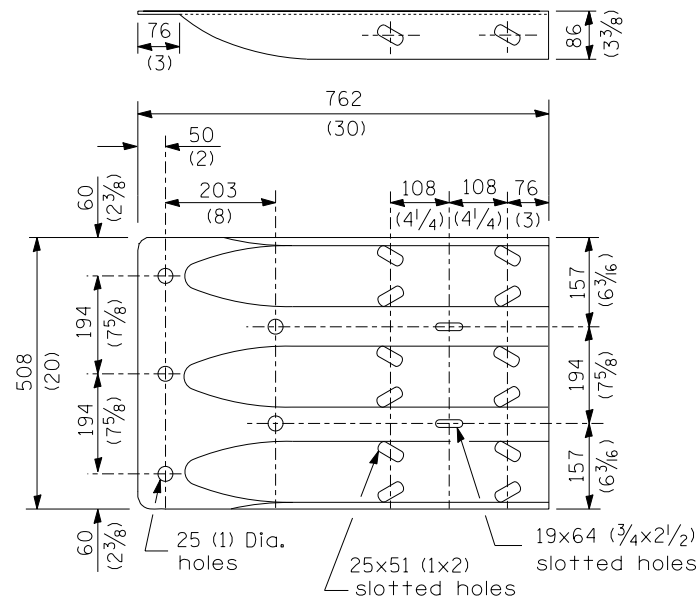


POSTS 1-11 WOOD BLOCKOUT DETAIL

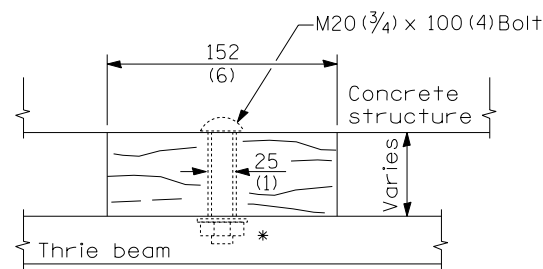


POST 12 WOOD BLOCKOUT DETAIL

(See Standard 630001 for post 13-17 blockouts.)

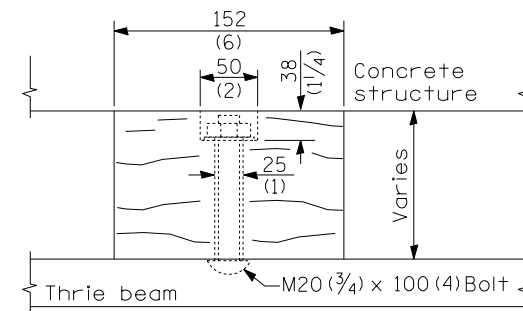


THRIE BEAM END SHOE DETAIL

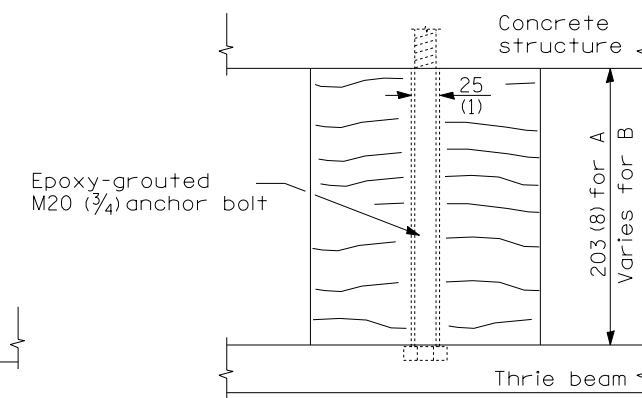


WOOD BLOCKOUT C

Bolt to thrie beam with M20 (3/4) by 100 (4) bolt, washer & nut. Reverse direction of insertion. \*



WOOD BLOCKOUT B



WOOD BLOCKOUT A

All dimensions are in millimeters (inches) unless otherwise shown.

FILE NAME =	USER NAME = leroyma	DESIGNED -	REVISED -	<b>STATE OF ILLINOIS DEPARTMENT OF TRANSPORTATION</b>	<b>TRAFFIC BARRIER TERMINAL, TYPE 6B (SPECIAL) SN 057-0159 AND 057-0160</b>	F.A.I R.E.	SECTION	COUNTY	TOTAL SHEETS	SHEET NO.	
ci:\p\work\p\idot\leryoma\d0244443\d570745-sht-details.dgn		DRAWN -	REVISED -			55	HSIP FY2011-1	MCLEAN	25	14	
PLOT SCALE = 40.0007 ' / IN.		CHECKED -	REVISED -			CONTRACT NO. 70885					
PLOT DATE = 1/24/2011		DATE -	REVISED -			ILLINOIS FED. AID PROJECT					
					SCALE:	SHEET NO.	OF SHEETS	STA.	TO STA.		