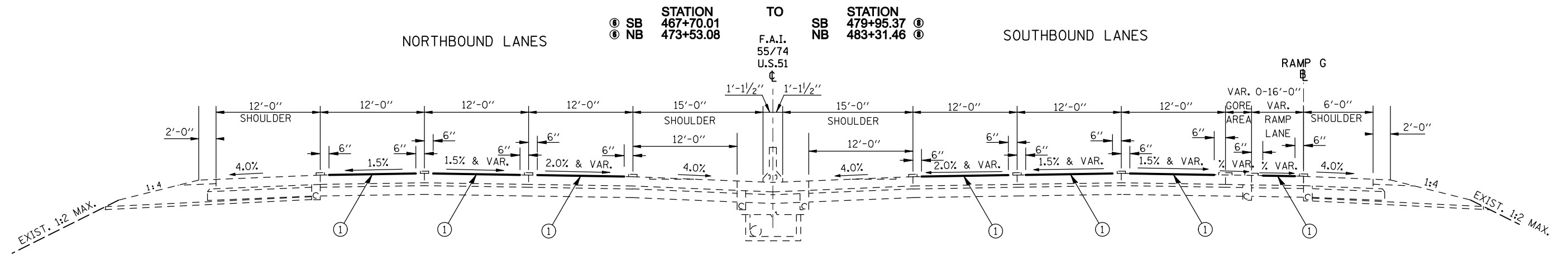


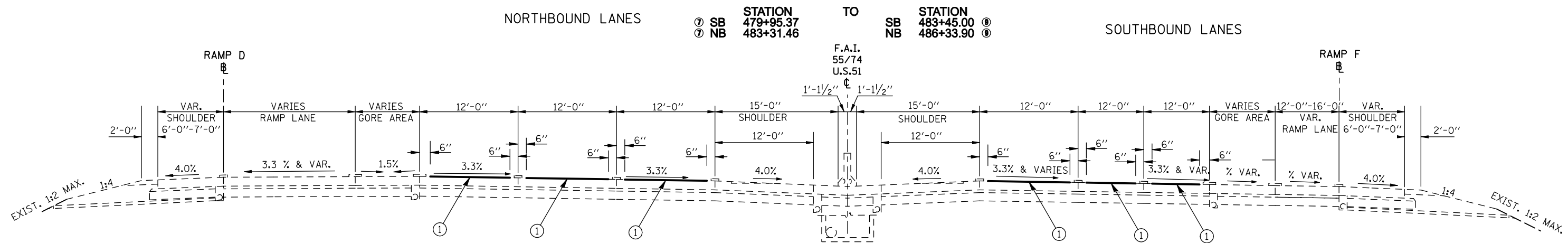
PROPOSED TYPICAL CROSS SECTION ⑦



LEGEND

① PAVEMENT GROOVING, SQ YD

PROPOSED TYPICAL CROSS SECTION ⑧



LEGEND

① PAVEMENT GROOVING, SQ YD

* F.A.I. 55, F.A.I. 74, & U.S. 51

FILE NAME =	USER NAME = hoganbj	DESIGNED -	REVISED -	STATE OF ILLINOIS DEPARTMENT OF TRANSPORTATION	PROPOSED TYPICAL SECTIONS	F.A.I. RTE.:	SECTION	COUNTY	TOTAL SHEETS	SHEET NO.
ct:\pw\work\pwwid\hoganbj\d0249155\0570887-sht\typoal.CEL		DRAWN -	REVISED -			•	HSIP FY2011-3	MCLEAN	17	13
PLOT SCALE = 100.0000' / IN.		CHECKED -	REVISED -						CONTRACT NO. 70887	
PLOT DATE = 1/31/2011		DATE -	REVISED -						ILLINOIS FED. AID PROJECT	
					SCALE: -----	SHEET NO. 4 OF 6 SHEETS		STA. ----- TO STA. -----		