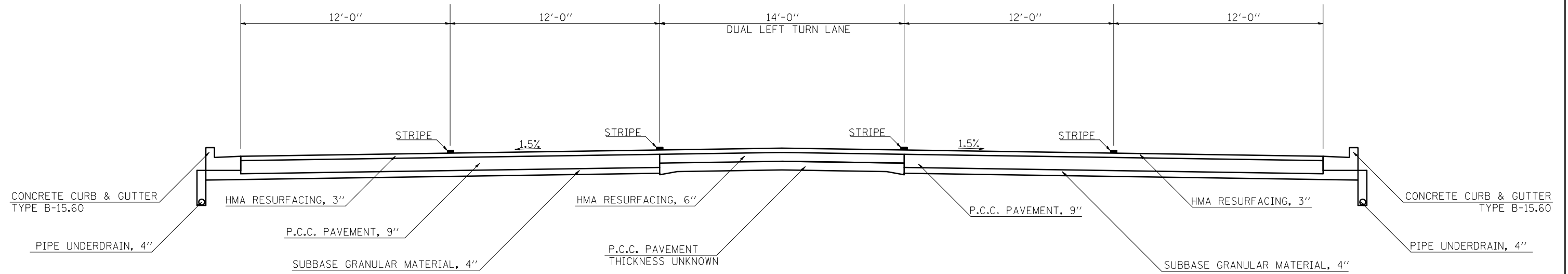


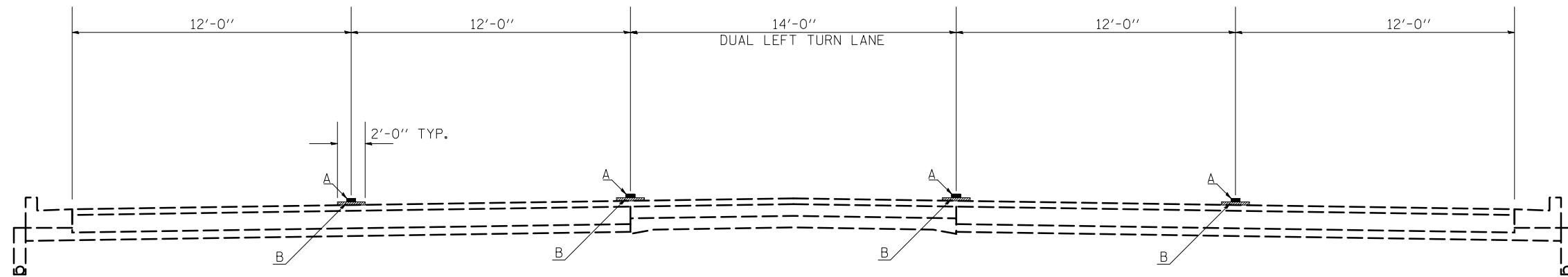
EXISTING TYPICAL CROSS SECTION FAP 693 (IL 9) ①

STA. 889+23.00 TO STA. 900+78.00 ②



PROPOSED TYPICAL CROSS SECTION FAP 693 (IL 9) ①

STA. 889+23.00 TO STA. 900+78.00 ②



A = STRIPE/RAISED REFLECTIVE PAVEMENT MARKER.
 B = MICRO-SURFACING, SINGLE PASS, TYPE 2 (20 LBS/SQ. YD.)

• 693 & 704
 ** (129)-2, (1,2)1, & (FAP 10)1

FILE NAME =	USER NAME = ceorlockbm	DESIGNED - BMC	REVISED -	STATE OF ILLINOIS DEPARTMENT OF TRANSPORTATION	TYPICAL CROSS SECTIONS			F.A.P. RTE.	SECTION	COUNTY	TOTAL SHEETS	SHEET NO.
ct:\pw\work\p\dot\ceorlockbm\d0243284\0570892-sht-typic01.dgn		DRAWN - BMC	REVISED -		•	**	MCLEAN	55	06			
PLOT SCALE = 40.0000' / IN.		CHECKED -	REVISED -		SCALE: N/A			SHEET NO. 1 OF 2 SHEETS			STA. 889+23.00 TO STA. 900+78.00	
PLOT DATE = 12/29/2010		DATE - 12-22-2010	REVISED -		ILLINOIS FED. AID PROJECT			CONTRACT NO. 70892				