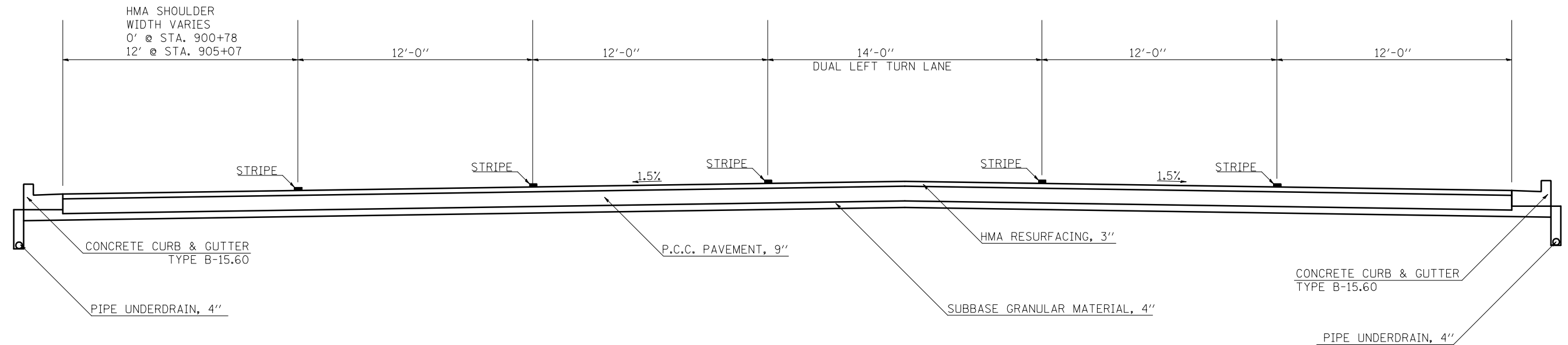


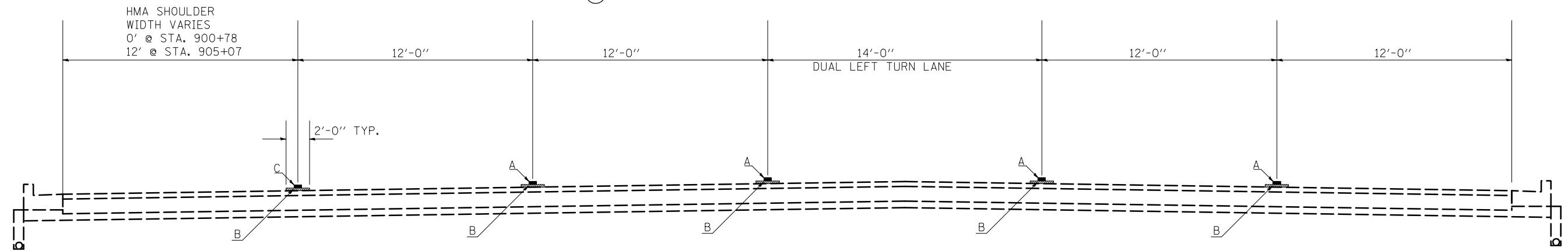
EXISTING TYPICAL CROSS SECTION FAP 693 (IL 9) (2)

① STA. 900+78.00 TO STA. 916+58.00



PROPOSED TYPICAL CROSS SECTION FAP 693 (IL 9) (2)

① STA. 900+78.00 TO STA. 916+58.00



- A = STRIPE/RAISED REFLECTIVE PAVEMENT MARKER.
- B = MICRO-SURFACING, SINGLE PASS, TYPE 2 (20 LBS/SQ. YD.)
- C = STRIPE, NO RAISED REFLECTIVE PAVEMENT MARKER.

• 693 & 704
•• (129)-2, (1,2)1, & (FAP 10)1

FILE NAME =	USER NAME = ceorlockbm	DESIGNED - BMC	REVISED -	STATE OF ILLINOIS DEPARTMENT OF TRANSPORTATION	TYPICAL CROSS SECTIONS			F.A.P. RTE.	SECTION	COUNTY	TOTAL SHEETS	SHEET NO.
ct:\pw\work\p\dot\ceorlockbm\d0243284\0570892-sh-t\typical.dgn		DRAWN - BMC	REVISED -		SCALE: N/A	SHEET NO. 2 OF 2 SHEETS	STA. 900+78.00 TO STA. 916+58.22	•	••	MCLEAN	55	07
PLOT SCALE = 40.0000' / IN.		CHECKED -	REVISED -					CONTRACT NO. 70892				
PLOT DATE = 12/29/2010		DATE - 12-22-2010	REVISED -		ILLINOIS FED. AID PROJECT							