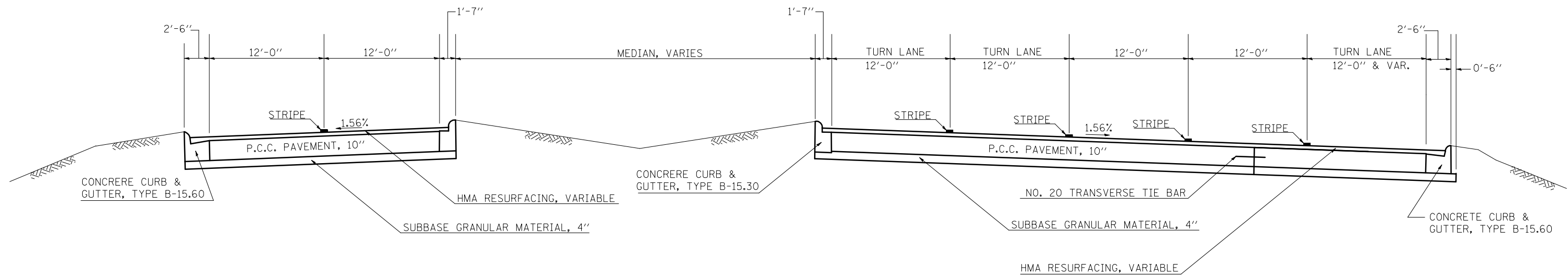


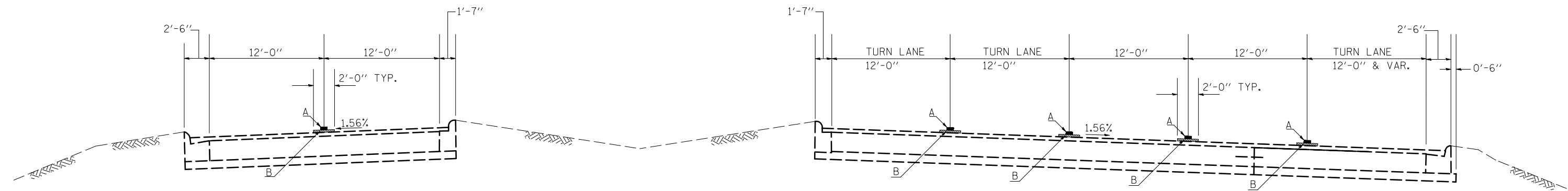
EXISTING TYPICAL CROSS SECTION FAP 693 (IL 9) (2B)

(1B) STA. 156+45.28 TO STA. 158+35.57 (3B)



PROPOSED TYPICAL CROSS SECTION FAP 693 (IL 9) (2B)

(1B) STA. 156+45.28 TO STA. 158+35.57 (3B)



A = STRIPE/RAISED REFLECTIVE PAVEMENT MARKER.
 B = MICRO-SURFACING, SINGLE PASS, TYPE 2 (20 LBS/SQ. YD.)

• 693 & 704
 ** (129)-2, (1,2)1, & (FAP 10)1

FILE NAME =	USER NAME = ceorlockbm	DESIGNED - BMC	REVISED -
ct:\pw\work\p\dot\ceorlockbm\d0243284\0570892-sht-typico1.dgn		DRAWN - BMC	REVISED -
PLOT SCALE = 40.0000' / IN.		CHECKED -	REVISED -
PLOT DATE = 12/29/2010		DATE - 12-22-2010	REVISED -

**STATE OF ILLINOIS
 DEPARTMENT OF TRANSPORTATION**

TYPICAL CROSS SECTIONS

SCALE: N/A SHEET NO. 2 OF 5 SHEETS STA. 156+45.28 TO STA. 158+35.57

F.A.P. RTE.	SECTION	COUNTY	TOTAL SHEETS	SHEET NO.
•	**	MCLEAN	55	09
CONTRACT NO. 70892				
ILLINOIS FED. AID PROJECT				