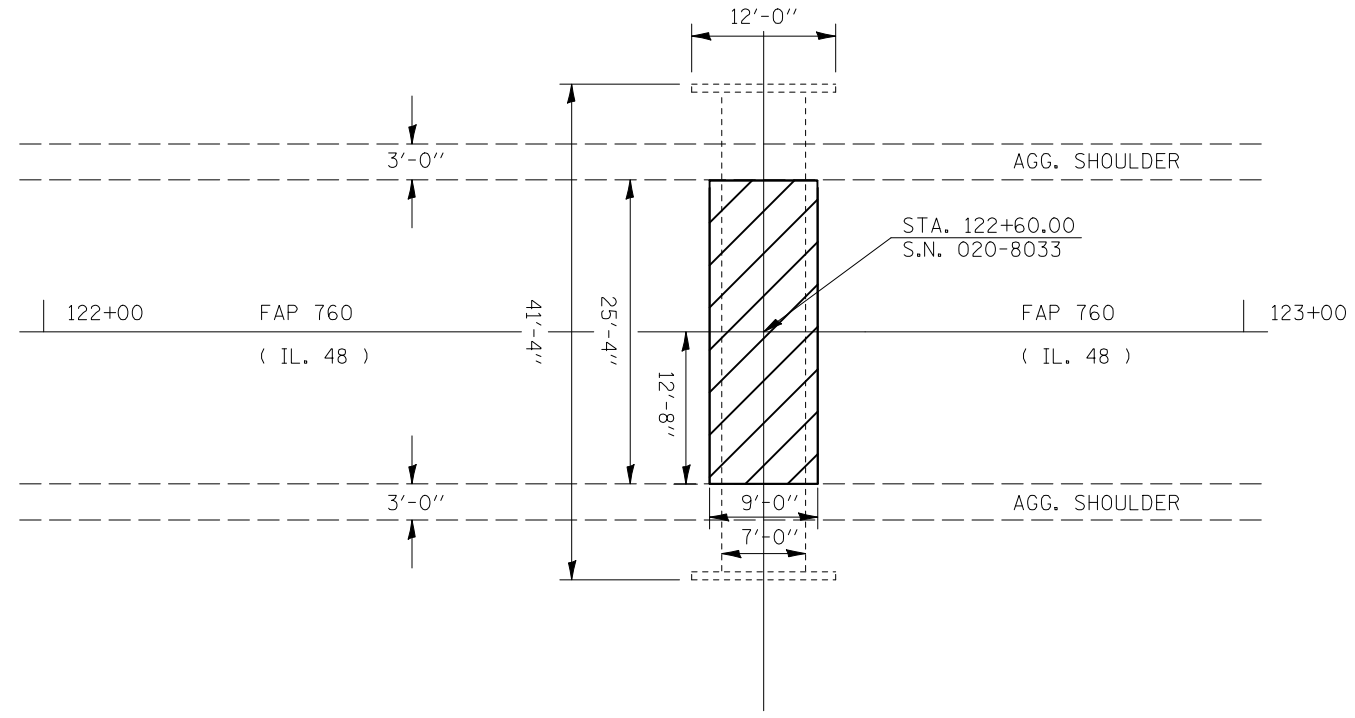


LOCATION #1

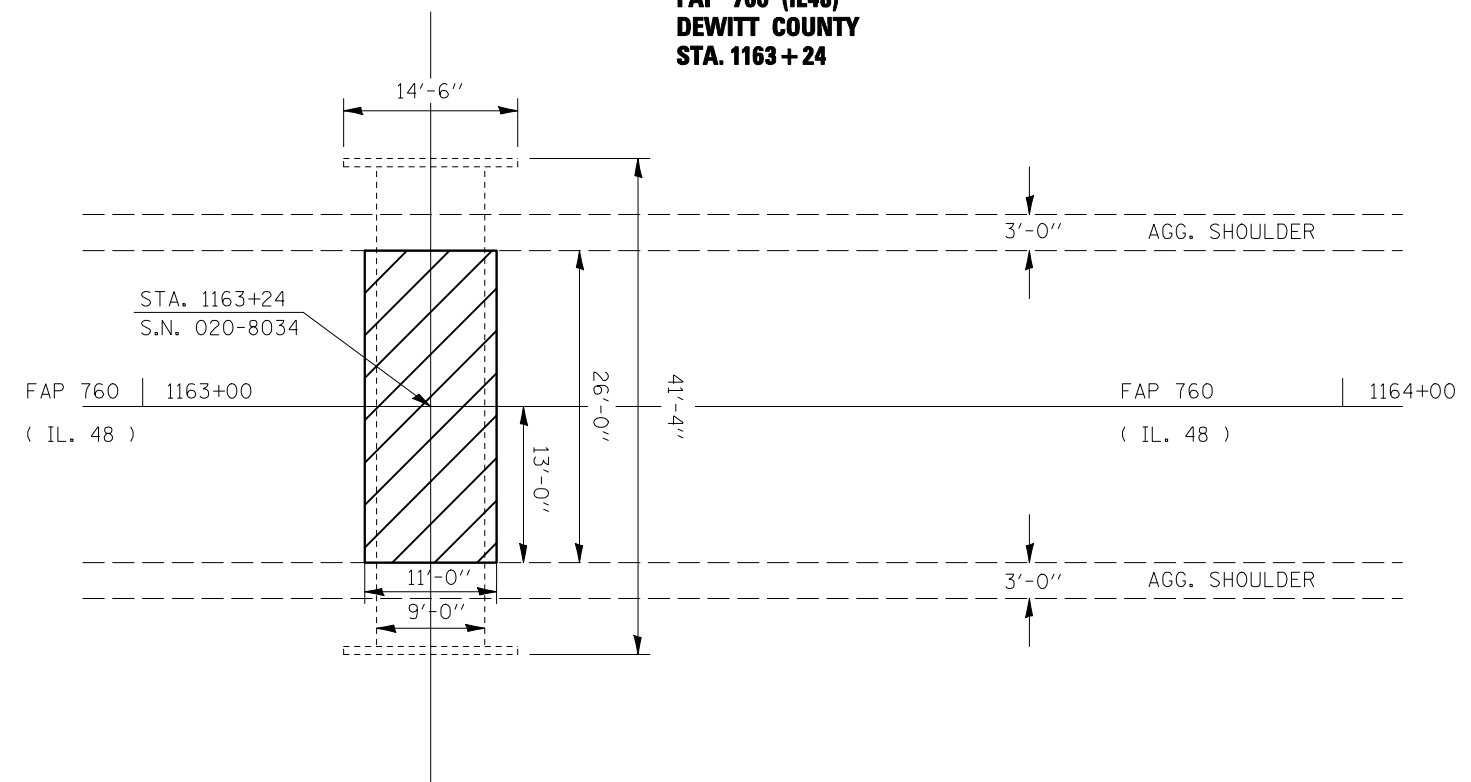
S.N. 020-8033
 FAP 760 (IL48)
 DEWITT COUNTY
 STA. 122+60



AREA OF IMPROVEMENT
 (SEE SLAB DETAILS)

LOCATION #2

S.N. 020-8034
 FAP 760 (IL48)
 DEWITT COUNTY
 STA. 1163+24



AREA OF IMPROVEMENT
 (SEE SLAB DETAILS)

- ROUTES VARIOUS
- POSTING MITIGATION FY2011-1
- DEWITT / MCLEAN

FILE NAME =	USER NAME = keysrb	DESIGNED -	REVISED -
ct:\pw\work\p\dot\keysrb\0248870\05708874-sh1-Plan.dgn		DRAWN -	REVISED -
		CHECKED -	REVISED -
		DATE -	REVISED -

**STATE OF ILLINOIS
 DEPARTMENT OF TRANSPORTATION**

PLAN SHEET - LOCATION #1 & #2

SCALE:	SHEET NO.	OF	SHEETS	STA.	TO	STA.
--------	-----------	----	--------	------	----	------

F.A. RTE.	SECTION	COUNTY	TOTAL SHEETS	SHEET NO.
*	**	***	23	7
CONTRACT NO. 70894				
ILLINOIS FED. AID PROJECT				