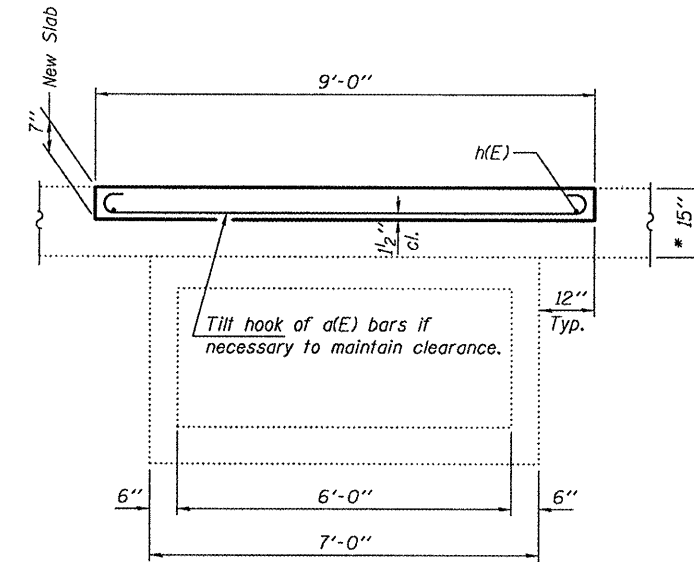
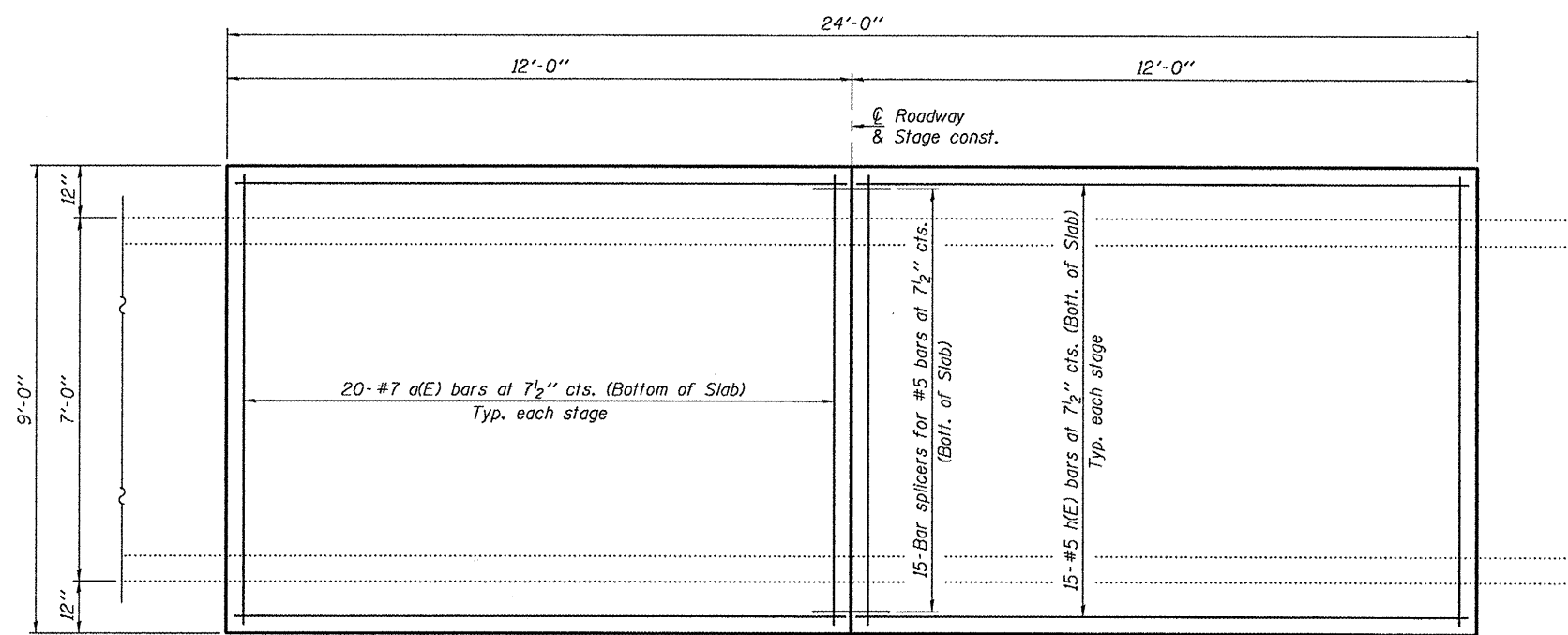


**LONGITUDINAL SECTION**  
(North bound shown  
South bound similar)



**SECTION A-A**

\* Remove 7" of existing overlay and replace with 7" concrete slab as shown. Slope to match roadway. Cost of removal included with Partial Depth Removal (Variable Depth).



**PLAN**  
(North bound shown  
South bound similar)



**GENERAL NOTES**

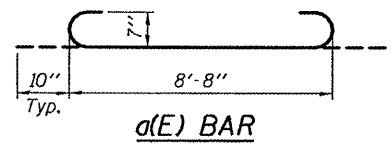
Plan dimensions and details relative to existing plans are subject to nominal construction variations. The Contractor shall field verify existing dimensions and details affecting new construction and make necessary approved adjustments prior to construction or ordering of materials. Such variations shall not be cause for additional compensation for a change in scope of the work, however, the Contractor will be paid for the quantity actually furnished at the unit price bid for the work.  
Reinforcement bars shall conform to the requirements of ASTM A 706 Gr 60. See Special Provisions.  
Reinforcement bars designated (E) shall be epoxy coated.  
The slab surface shall have its final finish tined according to Article 420.09(e)(1) of the Standard Specifications. Cost included with Concrete Superstructure.

**BILL OF MATERIAL  
2 CULVERTS**

Bar	No.	Size	Length	Shape
a(E)	80	#7	10'-4"	U
h(E)	60	#5	11'-8"	—
Bar Splicers	Each			<b>30</b>
Partial Depth Removal (Variable Depth)	Sq. Yds.			48.0
Reinforcement Bars, Epoxy Coated	Pound			2420
Concrete Superstructure	Cu. Yds.			9.4

**DESIGN STRESSES**

**FIELD UNITS**  
f'c = 3,500 psi  
fy = 60,000 psi (Reinf.)



EXPIRES 11-30-2012

DESIGNED <i>David Carl Puzey</i>	EXAMINED <i>John F. [Signature]</i>	DATE MARCH 14, 2011
CHECKED <i>Vicki H. [Signature]</i>	PASSED <i>[Signature]</i>	
DRAWN <i>balva</i>		
CHECKED <i>[Signature]</i>		

STATE OF ILLINOIS  
DEPARTMENT OF TRANSPORTATION

SLAB DETAILS  
LOCATION 4  
SN 057-8194  
SHEET NO. 1 OF 2 SHEETS

F.A.P. RTE.	SECTION	COUNTY	TOTAL SHEETS	SHEET NO.
730	POSTING MITIGATION FY2011-1	MCLAN	23	16
CONTRACT NO. 70894			ILLINOIS FED. AID PROJECT	