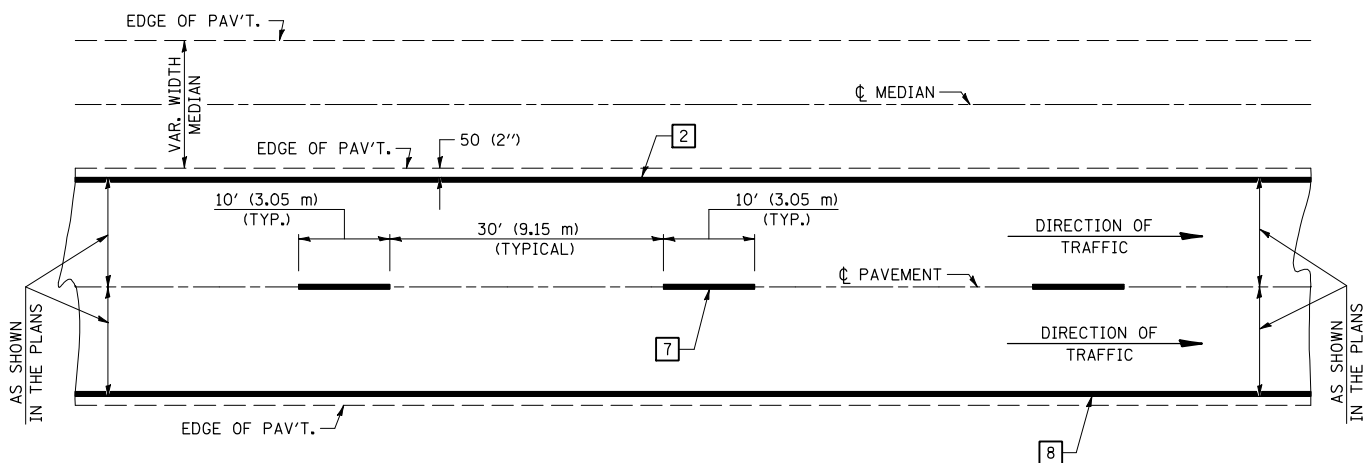


CENTERLINE INTERSTATE OR MULTI-LANE TWO WAY DIVIDED HIGHWAY

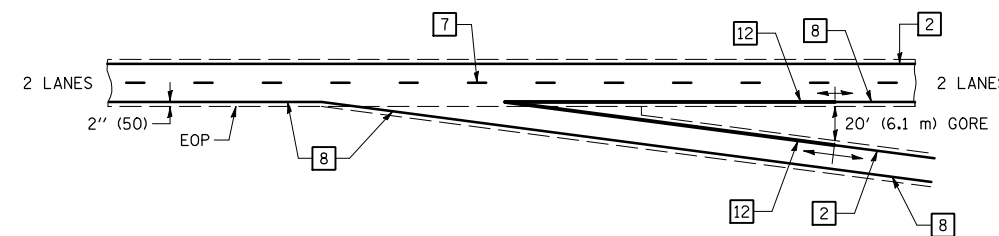


NOTE: PAVEMENT MARKINGS ARE TO BE EXTENDED THROUGH OMISSIONS WHEN APPLICABLE.

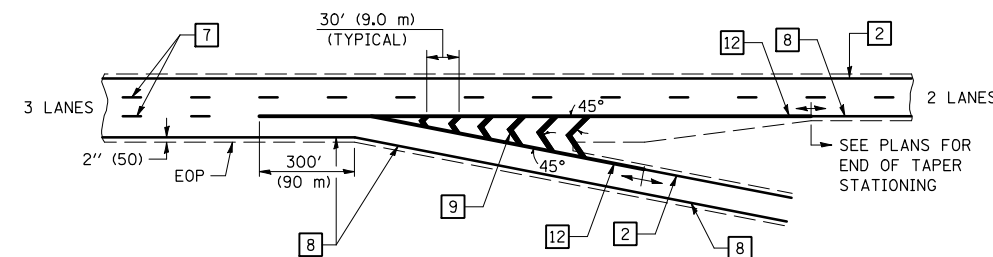
NOTE: SEE ARTICLES 780.04 & 781.03 FOR LOCATION OF STRIPES AND MARKERS RELATIVE TO EDGES OR JOINTS.

FOR RAISED REFLECTIVE PAVEMENT MARKERS, REFER TO STANDARD 781001.

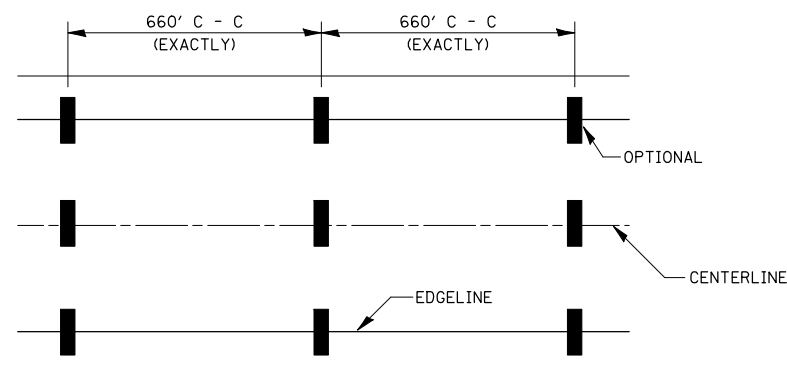
TYPICAL EXIT RAMP TERMINAL



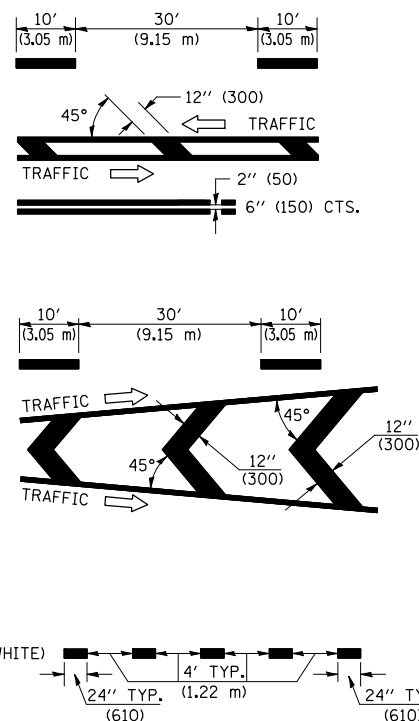
EXIT RAMP TERMINAL with EXCLUSIVE (auxiliary) LANE



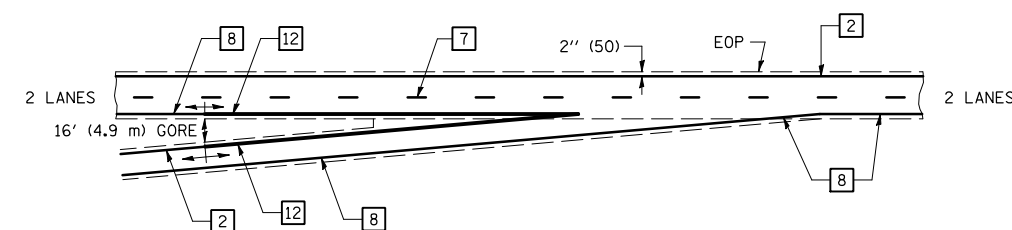
TYPICAL PAVEMENT MARKING LEGEND



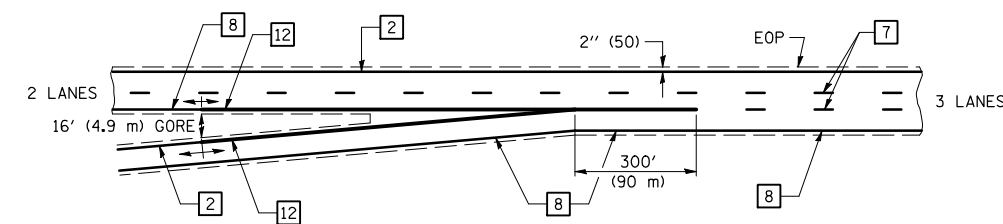
- 1 4" (100) SKIP-DASH (YELLOW)
- 2 4" (100) SOLID (YELLOW)
- 3 12" (300) DIAGONAL (YELLOW)
- 4 4" (100) DOUBLE YELLOW (NARROW)
- 5 RESERVED
- 6 RESERVED
- 7 4" (100) SKIP-DASH (WHITE)
- 8 4" (100) SOLID (WHITE)
- 9 12" (300) DIAGONAL (WHITE)
- 10 6" (150) SOLID (WHITE)
- 11 24" (600) STOP BAR (WHITE)
- 12 8" (200) SOLID (WHITE)
- 13 4" (100) LANE LINE EXTENSIONS (WHITE)



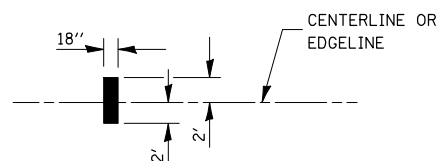
TYPICAL ENTRANCE RAMP TERMINAL



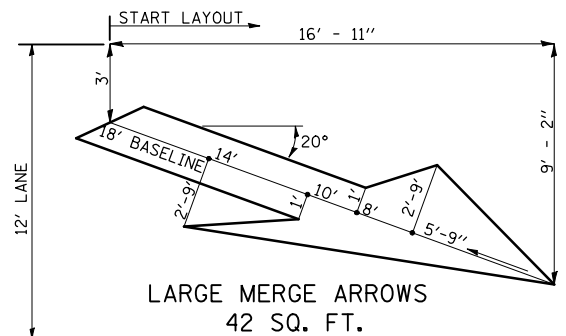
ENTRANCE RAMP TERMINAL with EXCLUSIVE LANE



IT WILL BE NECESSARY TO HAVE A REPRESENTATIVE OF THE STATE POLICE PRESENT SO THAT THE ACCURACY OF MEASUREMENT CAN BE ATTESTED TO IN COURT.



AERIAL SPEED CHECK ZONES



Note: All dimensions are in INCHES (millimeters) unless otherwise shown.

- ROUTES VARIOUS
- POSTING MITIGATION FY2011-1
- DEWITT / MCLEAN

DISTRICT 5 DETAIL NO. 7800BBBB

FILE NAME =	USER NAME = keysrb	DESIGNED -	REVISED - 11/06
ct:\pw\work\p\dot\keysrb\0248870\05708834-shit-Details.dgn		DRAWN -	REVISED -
PLOT SCALE = 40.0000' / IN.		CHECKED -	REVISED -
PLOT DATE = 2/3/2011		DATE -	REVISED -

STATE OF ILLINOIS
DEPARTMENT OF TRANSPORTATION

PAVEMENT MARKING (INTERSTATE & MULTI-LANE APPLICATIONS)

SCALE: SHEET NO. OF SHEETS STA. TO STA.

F.A.P. RTE.	SECTION	COUNTY	TOTAL SHEETS	SHEET NO.
•	••	•••	23	23
CONTRACT NO. 70894				
FED. ROAD DIST. NO. ILLINOIS FED. AID PROJECT				