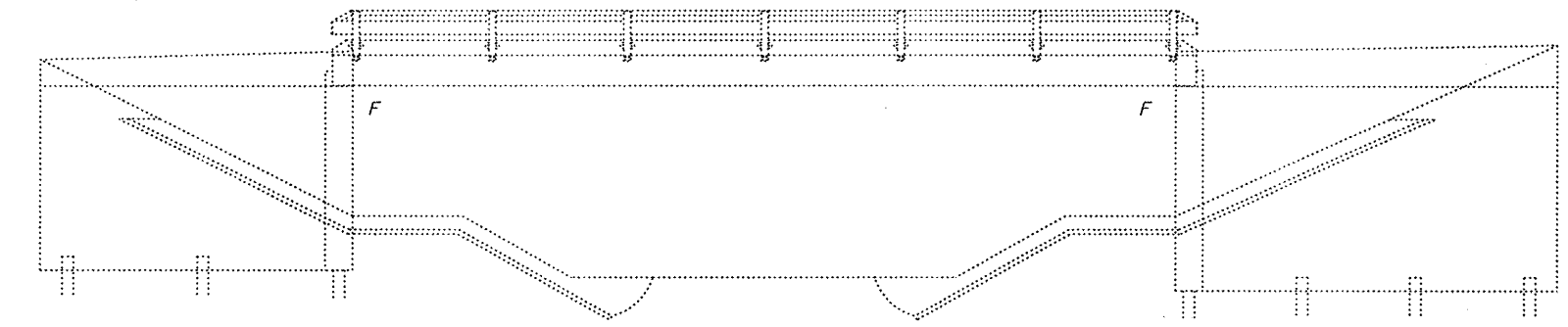
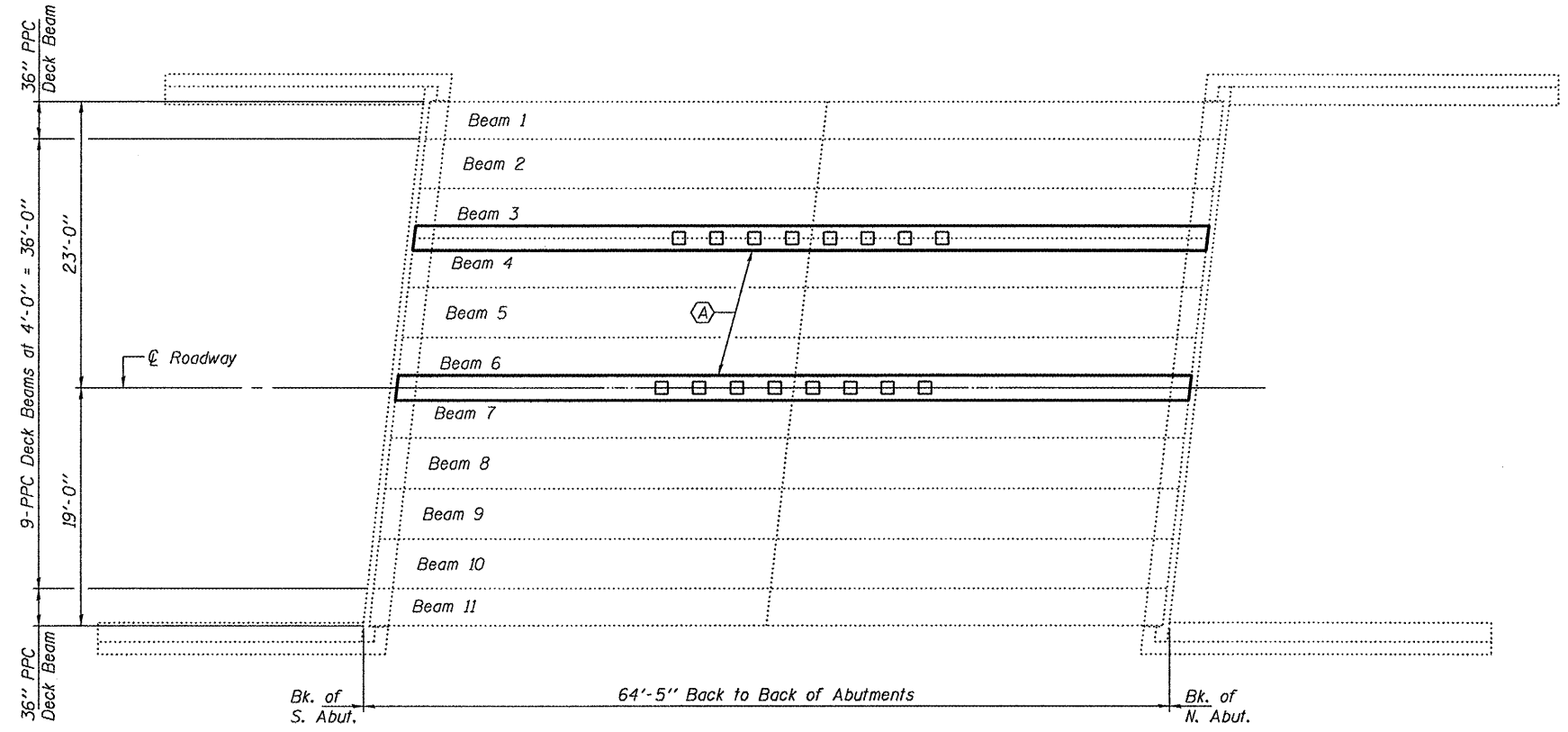


GENERAL NOTES

All structural steel shall conform to AASHTO Classification M-270 Gr. 36, unless otherwise noted.
 Plan dimensions and details relative to existing plans are subject to nominal construction variations. The Contractor shall field verify existing dimensions and details affecting new construction and make necessary approved adjustments prior to construction or ordering of materials. Such variations shall not be cause for additional compensation for a change in scope of the work, however, the Contractor will be paid for the quantity actually furnished at the unit price bid for the work.
 The shear key clamping devices shall be galvanized after shop fabrication according to AASHTO M111 and ASTM 385.

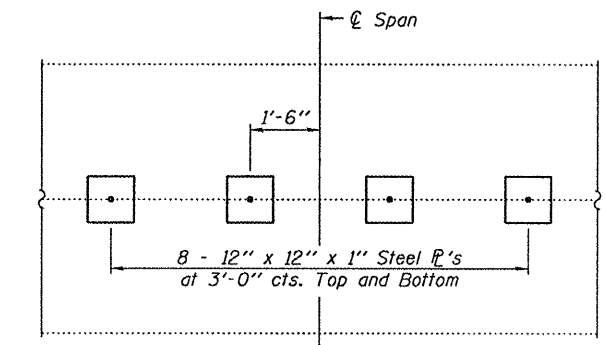


ELEVATION

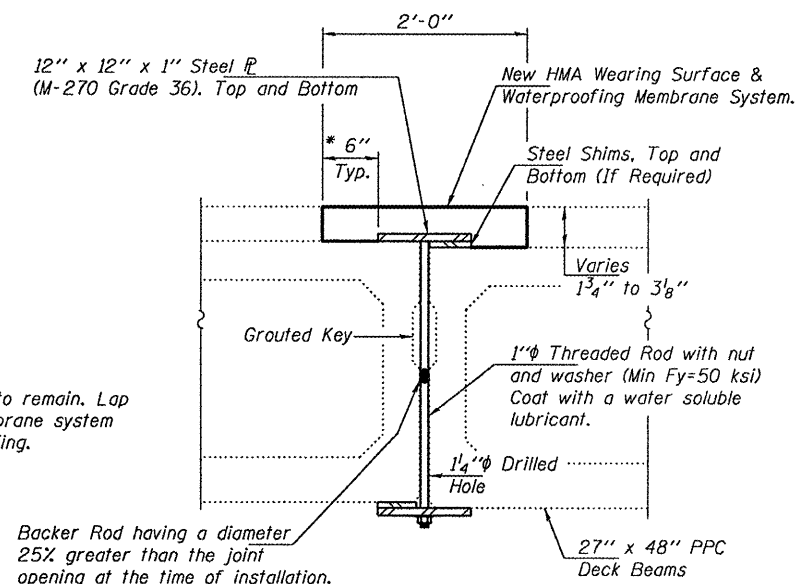


PLAN

(A) - Shear Key Clamping Device Installation & Keyway Repair



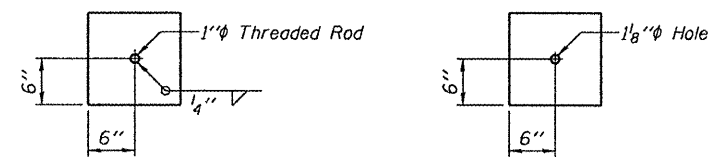
PLAN



SHEAR KEY CLAMPING DEVICE

Cost included with Keyway Repair (16 Required)

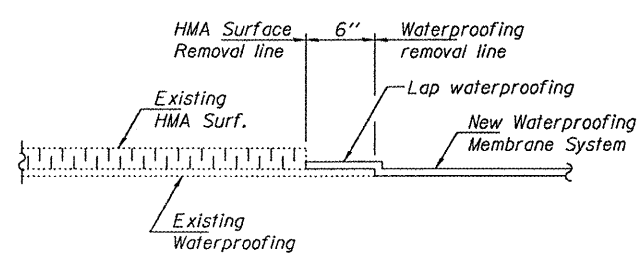
* Existing waterproofing to remain. Lap new waterproofing membrane system with existing waterproofing.



TOP CLAMPING I **BOTTOM CLAMPING I**

SHEAR KEY CLAMPING CONSTRUCTION SEQUENCE

1. Install 8 shear key clamping devices (4 on each side of \varnothing span).
2. Install backer rod in open joint.
3. Grout shear keys and cure for a minimum of 24 hours.



WATERPROOFING TREATMENT

TOTAL BILL OF MATERIAL

ITEM	UNIT	QUANTITY
Hot-Mix Asphalt Surface Course, Mix "D", N50	Tons	5.0
HMA Surface Removal (Deck)	Sq. Yd.	29
Waterproofing Membrane System	Sq. Yd.	29
PC Mortar Fairing Course	Foot	127
Keyway Repair	Foot	127



DESIGNED - <i>David Puzey</i>	EXAMINED - <i>John F. J...</i>	DATE - MARCH 14, 2011
CHECKED - <i>Kyle M. Steffen</i>	PASSED - <i>John F. J...</i>	
DRAWN - <i>Kyle M. Steffen</i>		
CHECKED - <i>ADY</i>		

STATE OF ILLINOIS
 DEPARTMENT OF TRANSPORTATION

GENERAL PLAN, ELEVATION & REPAIR DETAILS
 SN 020-0047

F.A.P. RTE. 322	SECTION Posting Mitigation FY2011-2	COUNTY DeWITT	TOTAL SHEETS 16	SHEET NO. 4
			CONTRACT NO. 70895	
ILLINOIS FED. AID PROJECT				

SHEET NO. 1 OF 1 SHEETS