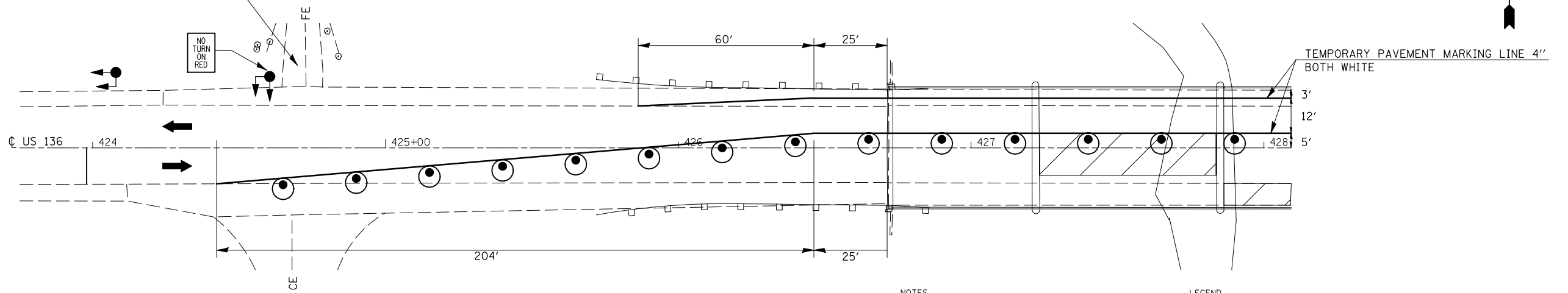


## STAGE II CONSTRUCTION DETAIL LOCATION #2

CLOSE THIS ENTRANCE FOR PROJECT DURATION  
USE ALTERNATE ENTRANCE TO THE WEST



**NOTES**

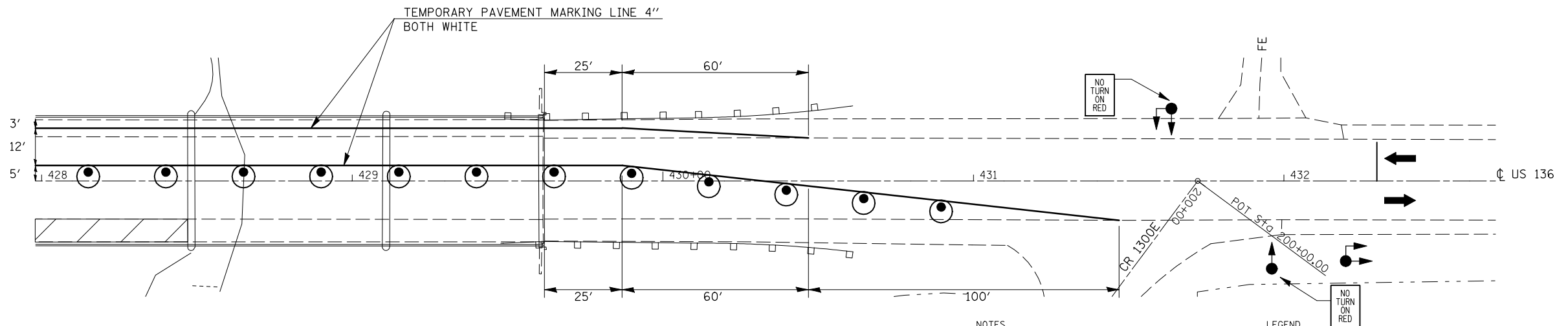
ALL DETAILS NOT SHOWN ARE TO BE PER THE REQUIREMENTS OF TC&P STD. 701316.  
FOR ADDITIONAL TRAFFIC CONTROL DETAILS, SEE THE TRAFFIC CONTROL PLAN IN THE CONTRACT PROVISIONS.

**LEGEND**

- DRUM W/ STEADY BURNING LIGHT
- TRAFFIC
- TEMPORARY TRAFFIC SIGNAL
- WORK AREA



## STAGE II CONSTRUCTION DETAIL LOCATION #2



**NOTES**

ALL DETAILS NOT SHOWN ARE TO BE PER THE REQUIREMENTS OF TC&P STD. 701316.  
FOR ADDITIONAL TRAFFIC CONTROL DETAILS, SEE THE TRAFFIC CONTROL PLAN IN THE CONTRACT PROVISIONS.

**LEGEND**

- DRUM W/ STEADY BURNING LIGHT
- TRAFFIC
- TEMPORARY TRAFFIC SIGNAL
- WORK AREA



FILE NAME =	USER NAME = keysrb	DESIGNED -	REVISED -
ct:\pw\work\p\dot\keysrb\0248810\0570895-sht-Details.dgn		DRAWN -	REVISED -
	PLOT SCALE = 40.0001' / IN.	CHECKED -	REVISED -
	PLOT DATE = 2/4/2011	DATE -	REVISED -

**STATE OF ILLINOIS  
DEPARTMENT OF TRANSPORTATION**

**STAGE II CONSTRUCTION DETAIL  
LOCATION #2**

SCALE: SHEET NO. OF SHEETS STA. TO STA.

F.A.P. RTE.	SECTION	COUNTY	TOTAL SHEETS	SHEET NO.
	**	***	16	8
CONTRACT NO. 70895			ILLINOIS FED. AID PROJECT	

• FAP 322 / FAP 315  
•• POSTING MITIGATION FY2011-2  
••• DEWITT / MCLEAN