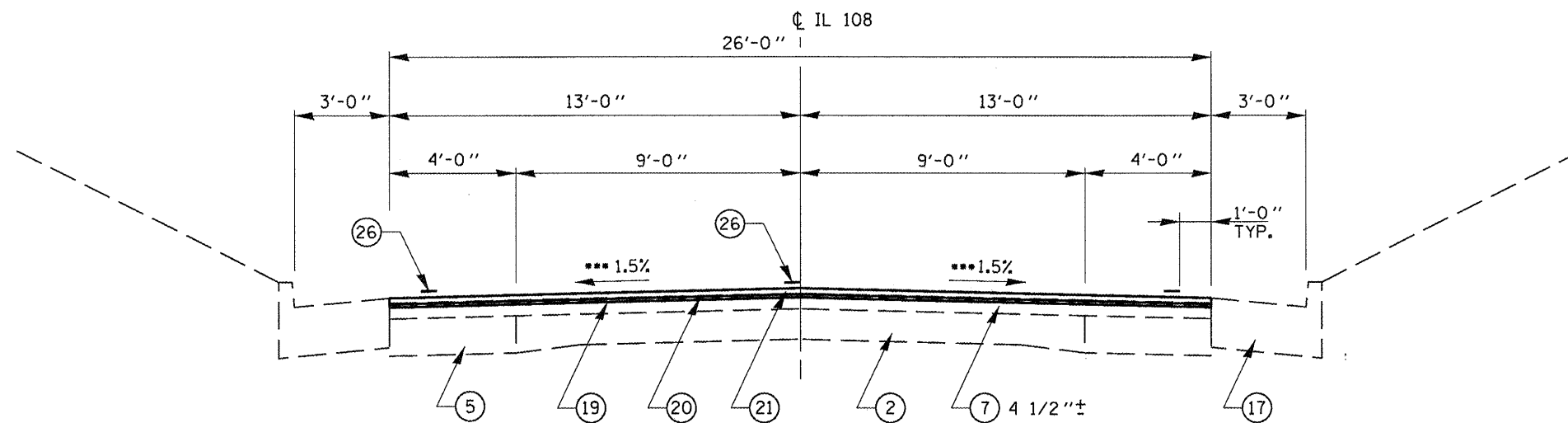


**TYPICAL SECTION #5**

STA. 359+20.17 TO STA. 360+00.00

**\*\*\* NOTE :**

FOR LIMITS OF SUPERELEVATION  
SEE SUPERELEVATION TRANSITION  
DETAIL FOR TWO LANE HIGHWAY  
SHEET



**TYPICAL SECTION #4**

STATION EQUATION STA. 354+94.31 BK. = STA. 355+54.89 AH.  
STA. 355+54.89 TO STA. 357+70.83  
BRIDGE OMISSION STA. 357+70.83 TO STA. 359+20.17

**LEGEND**

- ① EXIST. 9-7-9 PCC PAVEMENT
- ② EXIST. 9-7 1/2-9 PCC PAVEMENT
- ③ EXIST. 9-6-9 PCC PAVEMENT
- ④ EXIST. HMA BASE COURSE WIDENING 6"
- ⑤ EXIST. HMA BASE COURSE WIDENING 9"
- ⑥ EXIST. HMA BASE COURSE WIDENING 10"
- ⑦ EXIST. HMA OVERLAY
- ⑧ EXIST. HMA PAVEMENT (FULL-DEPTH)
- ⑨ EXIST. LEVELING BINDER (MACHINE METHOD)
- ⑩ EXIST. SUB-BASE GRANULAR MATERIAL, TYPE A (12")
- ⑪ EXIST. STRIP REFLECTIVE CRACK CONTROL
- ⑫ EXIST. HMA SHOULDER 8"
- ⑬ EXIST. HMA SHOULDER 6"
- ⑭ EXIST. AGGREGATE SHOULDER
- ⑮ EXIST. CONCRETE GUTTER, TYPE A
- ⑯ EXIST. PCC GUTTER
- ⑰ EXIST. COMBINATION CONCRETE CURB & GUTTER, TYPE B SPECIAL
- ⑱ PROP. HMA SURFACE REMOVAL (VARIABLE DEPTH)
- ⑲ PROP. HMA SURFACE REMOVAL 2 1/4"
- ⑳ PROP. LEVELING BINDER (MACHINE METHOD) N50 (3/4")
- ㉑ PROP. HMA SURFACE COURSE, MIX "C" N50 (1 1/2")
- ㉒ PROP. HMA SHOULDERS 6 1/2"
- ㉓ PROP. AGGREGATE SHOULDER, TYPE B
- ㉔ PROP. EXCAVATING AND GRADING SHOULDERS
- ㉕ PROP. RUMBLE STRIP
- ㉖ PROP. PAINT PAVEMENT MARKING 5"

**NOTES :**

1. MILL 1/2" MIN. AT  $\phi$  AND MAINTAIN 1.5% SLOPE ON TANGENT SECTIONS.
2. MILL 1/2" AS REQUIRED TO MAINTAIN SUPERELEVATED SECTION
3. IF SUPERELEVATION EXIST THE SHOULDER SLOPES ON THE HIGH SIDE MAXIMUM BREAK - OVER SHOULD BE NO GREATER THAN 8% AND ON THE LOW SIDE SAME AS S.E. IF OVER 4%
9. AREAS WITH HMA SURFACE REMOVAL 2 1/4" MAY REQUIRE TO BE MILLED VARIABLE DEPTH DEPENDING ON EXISTING SLOPES AND RUTTING.

\* FAP 765 & FAP 608  
\*\* 107RS-3, 108RS-1, 109RS-3

FILE NAME =	USER NAME = laughlin1	DESIGNED - RSC	REVISED -
c:\pwork\pwork\laughlin-1\d0215448\06	2C36-sh-typical.dgn	DRAWN - JWC	REVISED -
	PLDT SCALE = 48.0000' / in.	CHECKED - RSC	REVISED -
	PLOT DATE = Dec-17-2018 01:57:21PM	DATE -	REVISED -

**STATE OF ILLINOIS  
DEPARTMENT OF TRANSPORTATION**

**TYPICAL SECTIONS**

SCALE: NTS SHEET NO. OF SHEETS STA. TO STA.

F.A.P. RTE.	SECTION	COUNTY	TOTAL SHEETS	SHEET NO.
.	**	MACOUPIN	46	6
CONTRACT NO. 72C36				
ILLINOIS FED. AID PROJECT				