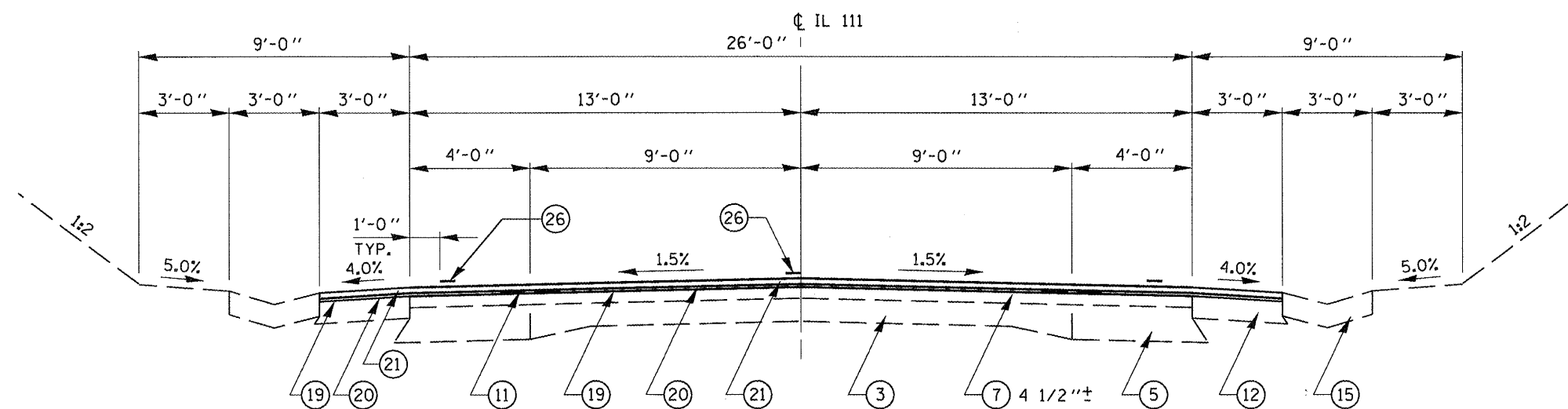


TYPICAL SECTION #11

STA. 933+00.00 TO STA. 934+06.00
 STA. 942+22.00 TO STA. 942+91.74
 STATION EQUATION STA. 942+91.74 BK. = STA. 943+00.00 AH.
 STA. 943+00.00 TO STA. 943+01.00



TYPICAL SECTION #10

LT. STA. 902+60.50 TO LT. STA. 907+00.00
 RT. STA. 901+92.00 TO RT. STA. 907+02.00
 LT. STA. 913+90.00 TO LT. STA. 922+57.00
 RT. STA. 913+74.00 TO RT. STA. 921+92.00

LEGEND

- ① EXIST. 9-7-9 PCC PAVEMENT
- ② EXIST. 9-7 1/2-9 PCC PAVEMENT
- ③ EXIST. 9-6-9 PCC PAVEMENT
- ④ EXIST. HMA BASE COURSE WIDENING 6"
- ⑤ EXIST. HMA BASE COURSE WIDENING 9"
- ⑥ EXIST. HMA BASE COURSE WIDENING 10"
- ⑦ EXIST. HMA OVERLAY
- ⑧ EXIST. HMA PAVEMENT (FULL-DEPTH)
- ⑨ EXIST. LEVELING BINDER (MACHINE METHOD)
- ⑩ EXIST. SUB-BASE GRANULAR MATERIAL, TYPE A (12")
- ⑪ EXIST. STRIP REFLECTIVE CRACK CONTROL
- ⑫ EXIST. HMA SHOULDER 8"
- ⑬ EXIST. HMA SHOULDER 6"
- ⑭ EXIST. AGGREGATE SHOULDER
- ⑮ EXIST. CONCRETE GUTTER, TYPE A
- ⑯ EXIST. PCC GUTTER
- ⑰ EXIST. COMBINATION CONCRETE CURB & GUTTER, TYPE B SPECIAL
- ⑱ PROP. HMA SURFACE REMOVAL (VARIABLE DEPTH)
- ⑲ PROP. HMA SURFACE REMOVAL 2 1/4"
- ⑳ PROP. LEVELING BINDER (MACHINE METHOD) N50 (3/4")
- ㉑ PROP. HMA SURFACE COURSE, MIX "C" N50 (1 1/2")
- ㉒ PROP. HMA SHOULDERS 6 1/2"
- ㉓ PROP. AGGREGATE SHOULDER, TYPE B
- ㉔ PROP. EXCAVATING AND GRADING SHOULDERS
- ㉕ PROP. RUMBLE STRIP
- ㉖ PROP. PAINT PAVEMENT MARKING 5"

NOTES

- 1. MILL 1/2" MIN. AT CL AND MAINTAIN 1.5% SLOPE ON TANGENT SECTIONS.
- 2. MILL 1/2" AS REQUIRED TO MAINTAIN SUPERELEVATED SECTION
- 9. AREAS WITH HMA SURFACE REMOVAL 2 1/4" MAY REQUIRE TO BE MILLED VARIABLE DEPTH DEPENDING ON EXISTING SLOPES AND RUTTING.

• FAP 765 & FAP 608
 • 107RS-3, 108RS-1, 109RS-3

FILE NAME =	USER NAME = laughlinr1	DESIGNED - RSC	REVISED -	STATE OF ILLINOIS DEPARTMENT OF TRANSPORTATION	TYPICAL SECTIONS			F.A.P. RTE.	SECTION	COUNTY	TOTAL SHEETS	SHEET NO.
c:\pwork\pwork\laughlinr1\d0215448\062c36-shr-typical.dgn		DRAWN - JWC	REVISED -		SCALE: NTS	SHEET NO. OF	SHEETS	STA. TO STA.	MACOUPIN	46	9	
PLOT SCALE = 48.0000' / in.		CHECKED - RSC	REVISED -		CONTRACT NO. 72C36							
PLOT DATE = Dec-17-2018 01:57:23PM		DATE -	REVISED -		ILLINOIS FED. AID PROJECT							