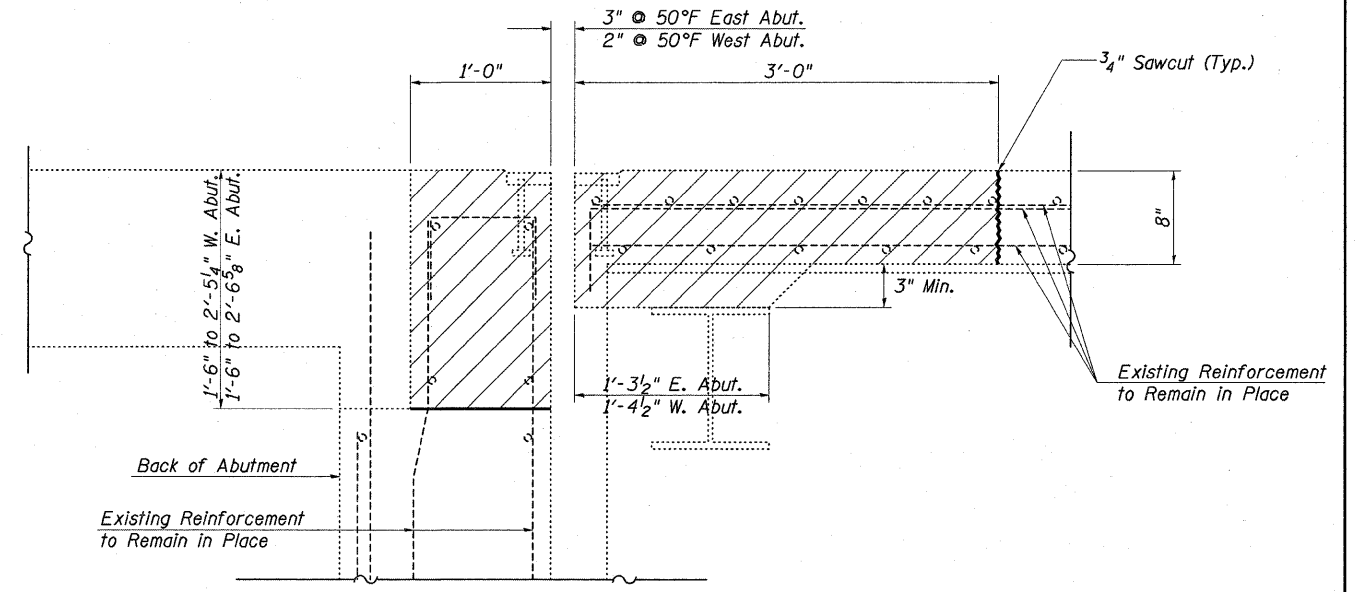
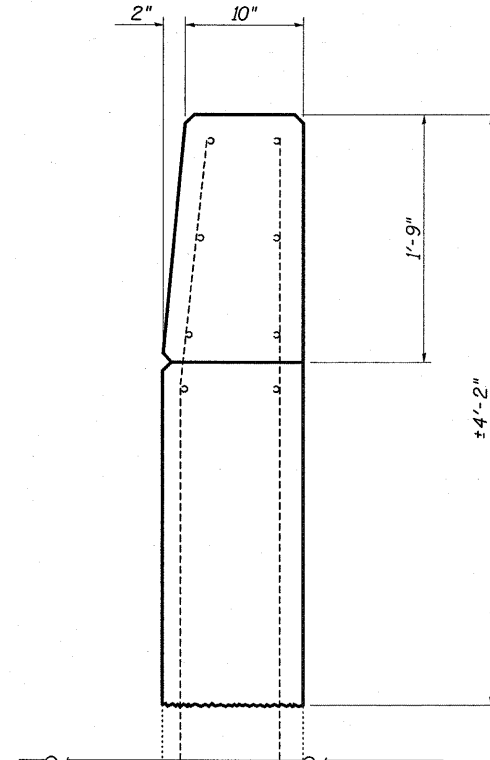
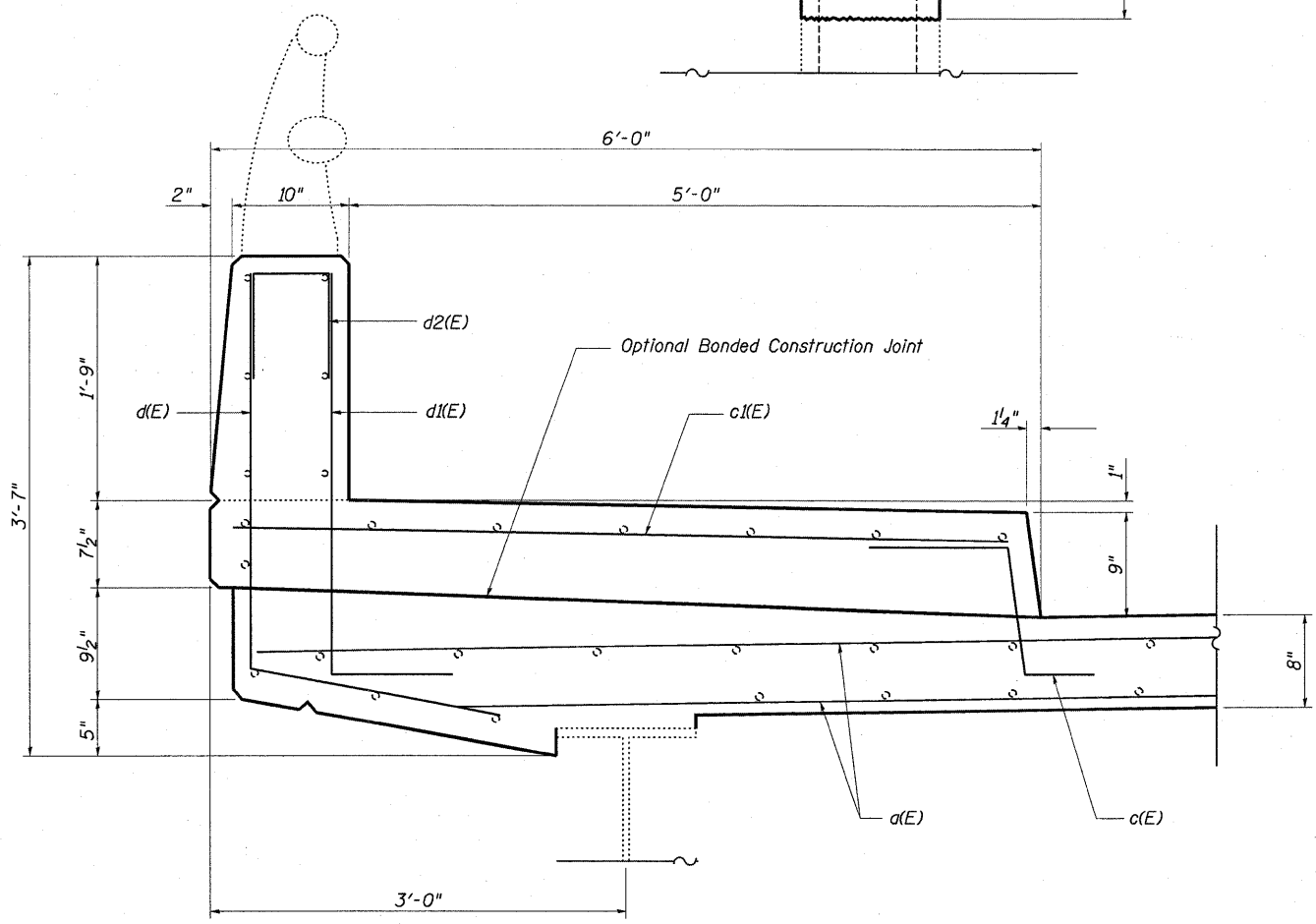


**TYPICAL WINGWALL
REMOVAL AND REPLACEMENT**

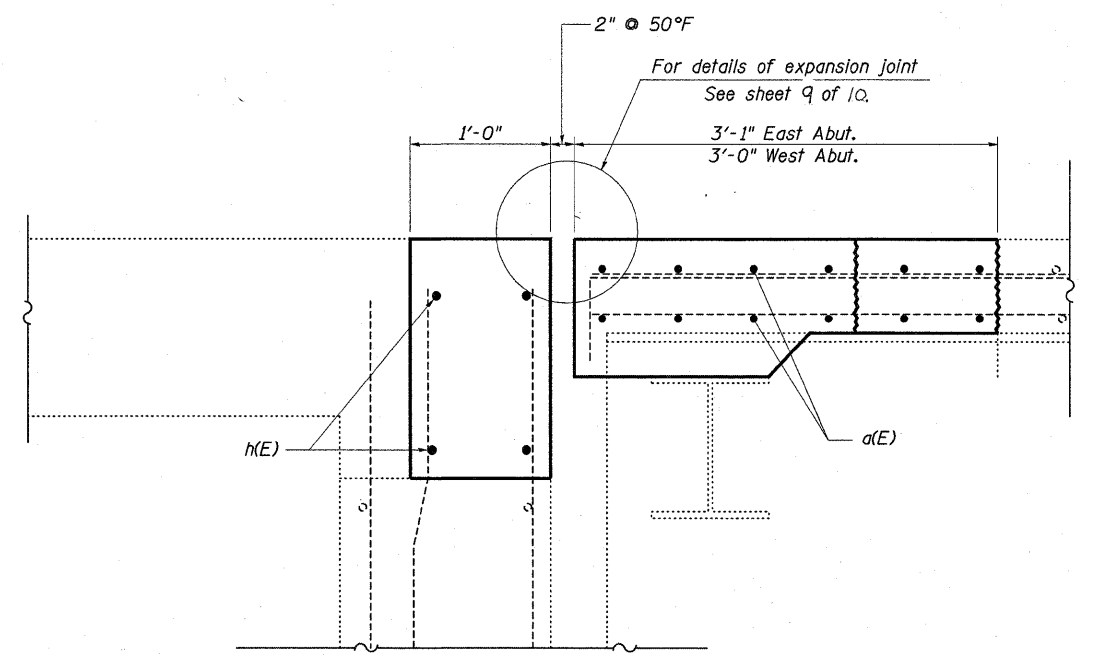


SECTION A-A
(Dimensions at Rt. L's to end of deck)

- Existing Reinforcement
- Proposed Reinforcement



SECTION THRU PARAPET



SECTION B-B
(Dimensions at Rt. L's to end of deck)