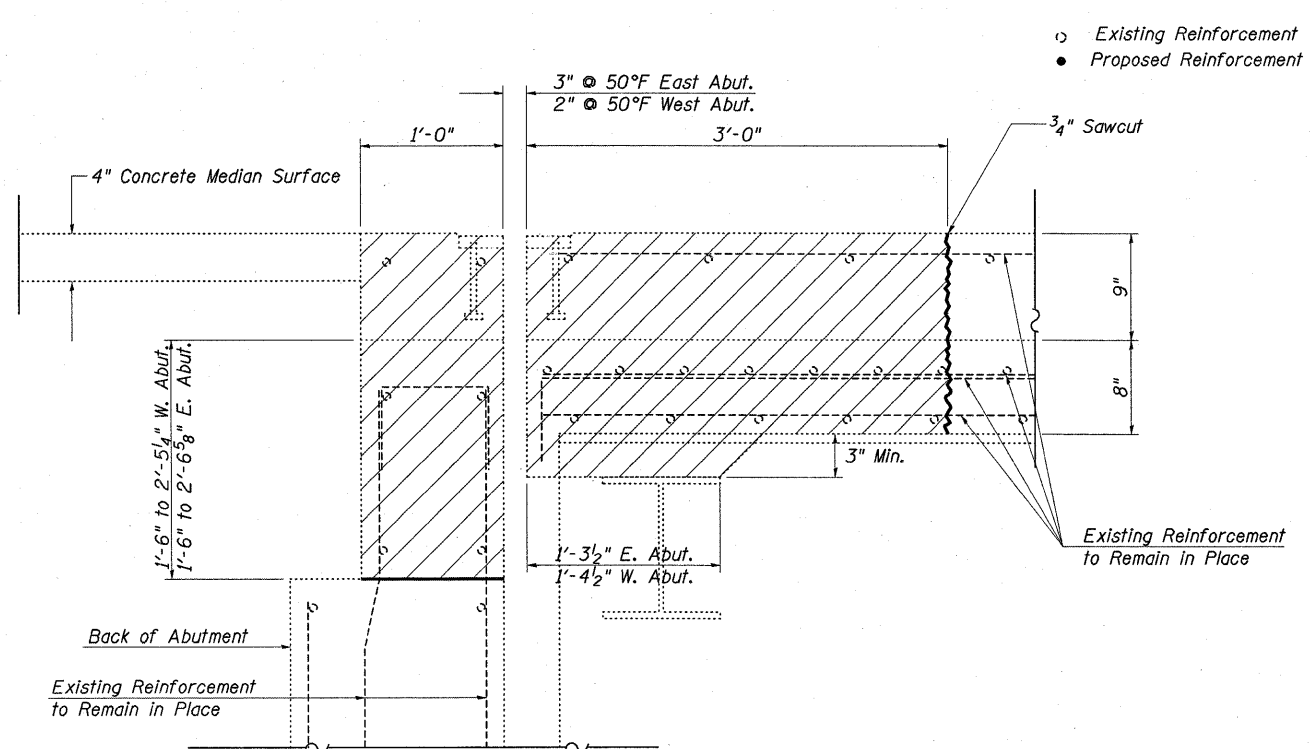


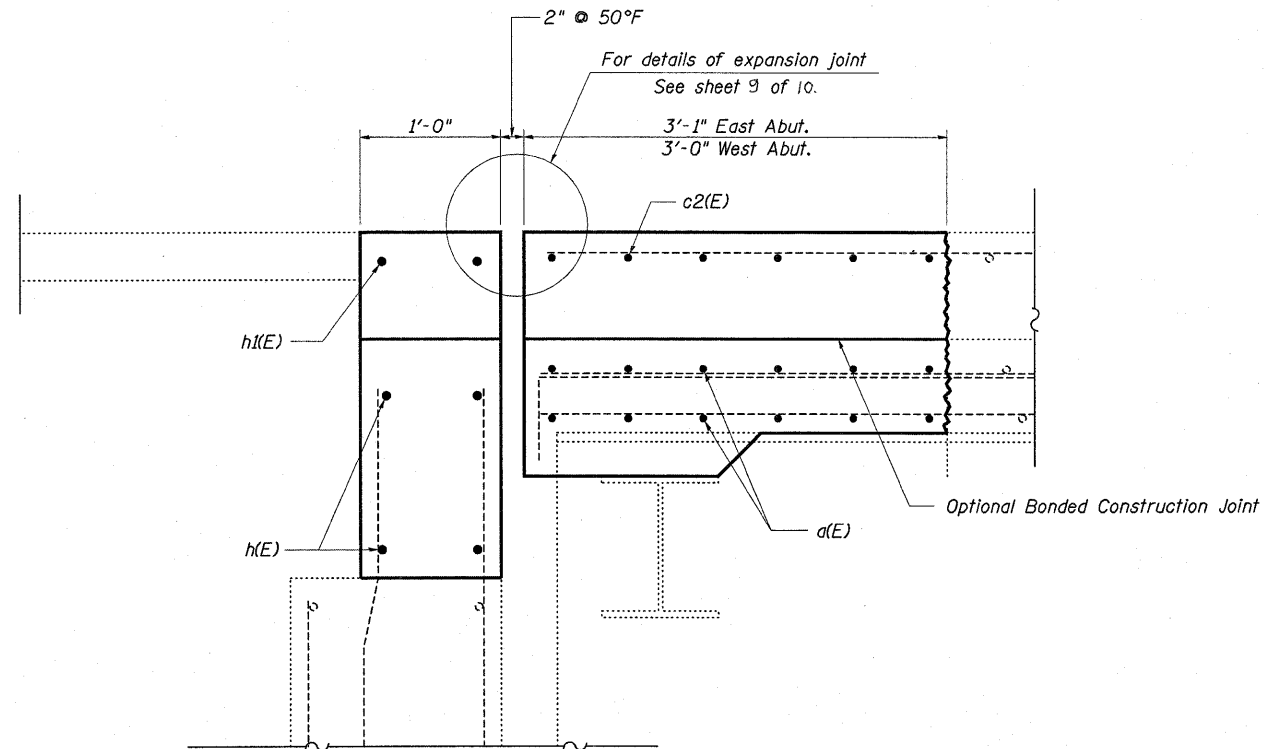
SECTION THRU MEDIAN

(Dimensions at Rt. L's to end of deck)



SECTION C-C

(Dimensions at Rt. L's to end of deck)



SECTION D-D

(Dimensions at Rt. L's to end of deck)

FILE NAME =
c:\pwwork\pwwidot\teasleyck\10289576\07

USER NAME = teasleyck
4491-sht-brdetails-0580111.dgn

DESIGNED - KLB
DRAWN - KLB

REVISED -
REVISED -
CHECKED - MEA
DATE - 12/22/10

**STATE OF ILLINOIS
DEPARTMENT OF TRANSPORTATION**

**EXPANSION JOINT REPLACEMENT DETAILS
SN. 058-0111**

F.A.P. RTE. 320	SECTION	COUNTY Macon	TOTAL SHEETS 32	SHEET NO. 27
-----------------	---------	--------------	-----------------	--------------

SCALE: SHEET NO. 5 OF 10 SHEETS STA. TO STA.

CONTRACT NO. 74491