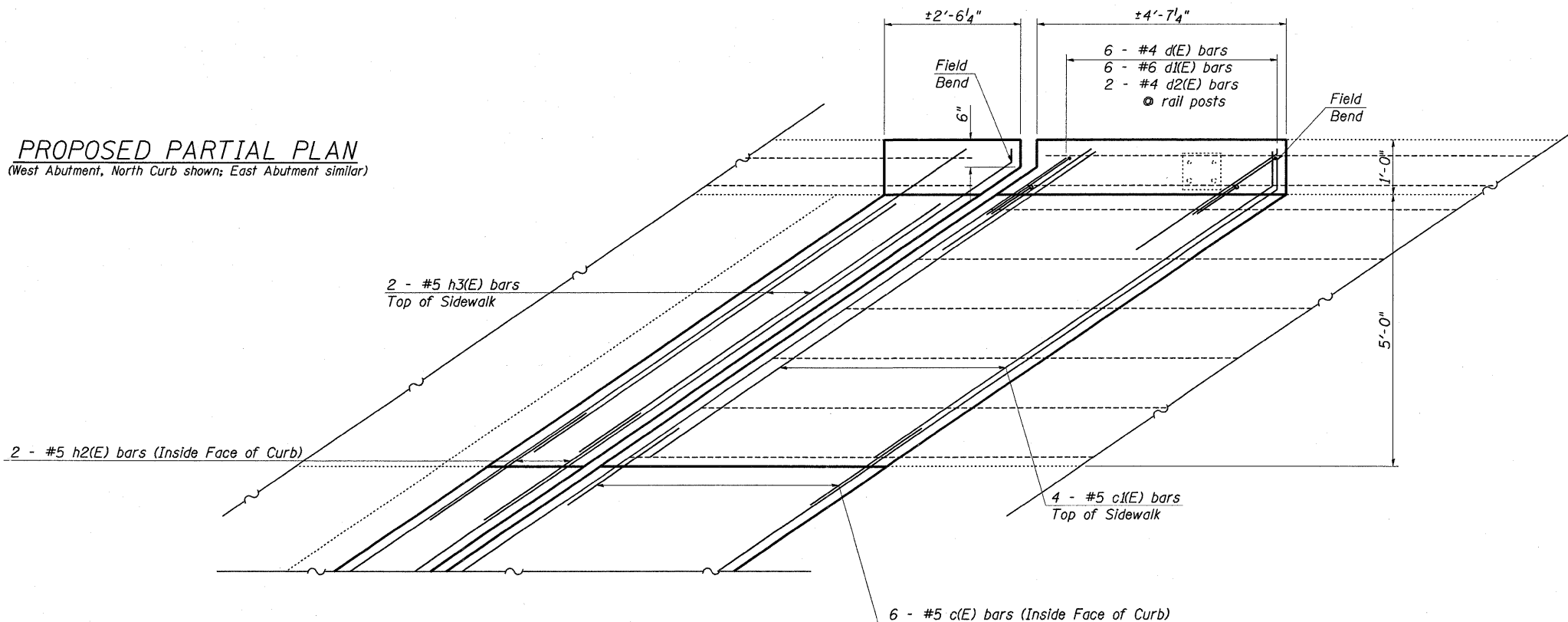
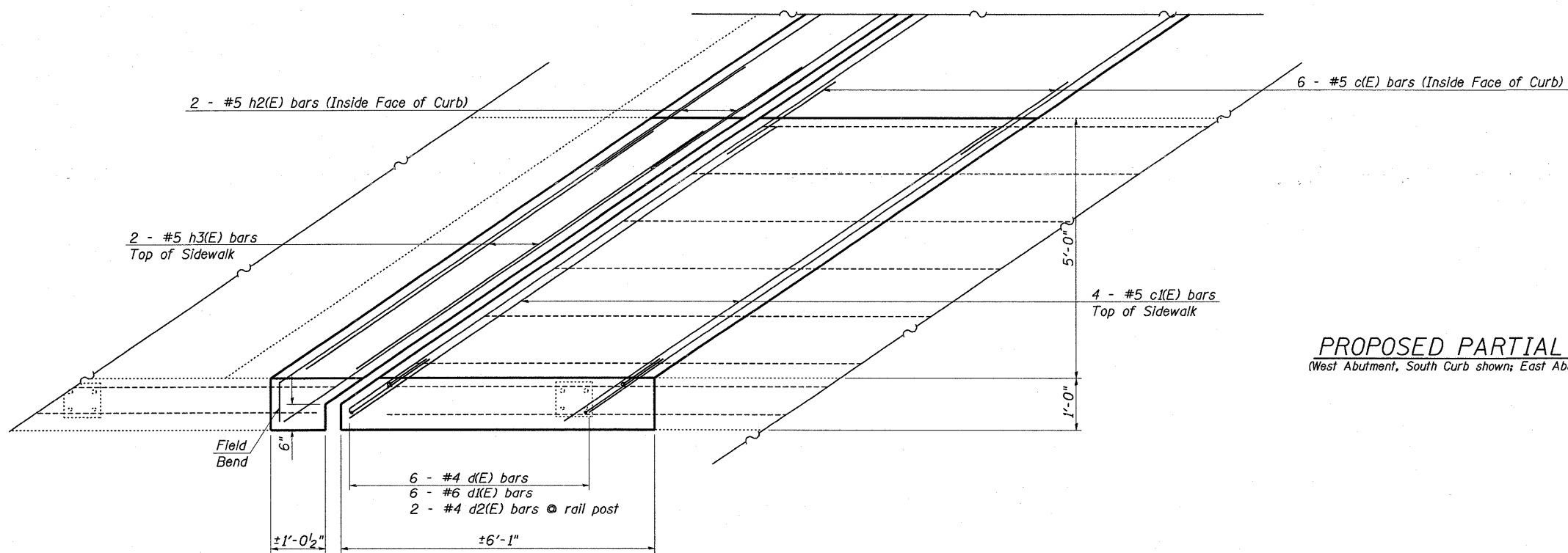




**PROPOSED PARTIAL PLAN**  
(West Abutment, North Curb shown; East Abutment similar)



**PROPOSED PARTIAL PLAN**  
(West Abutment, South Curb shown; East Abutment similar)



FILE NAME =  
c:\pwork\pwidot\teesleyok\d2029576.dwg

USER NAME = teesleyok  
4491-sht-brdetails-0580111.dgn

DESIGNED - ---  
DRAWN - ---  
CHECKED - ---  
DATE - ---

REVISED - ---  
REVISED - ---  
REVISED - ---  
REVISED - ---

**STATE OF ILLINOIS  
DEPARTMENT OF TRANSPORTATION**

**EXPANSION JOINT REPLACEMENT DETAILS  
SN. 058-0111**

SCALE: SHEET NO. 6 OF 10 SHEETS STA. TO STA.

F.A.P. RTE. 320	SECTION	COUNTY Macon	TOTAL SHEETS 22	SHEET NO. 28
-----------------	---------	--------------	-----------------	--------------

CONTRACT NO. 7449J  
ILLINOIS FED. AID PROJECT