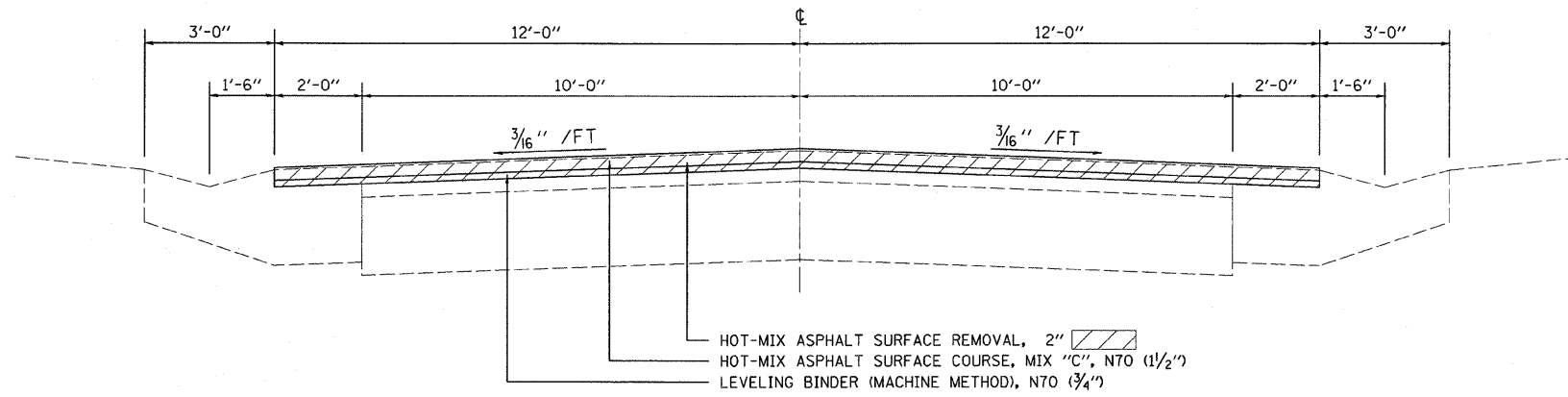


PAVING OMISSION

STATION 349+34.54 TO STATION 351+86.46

PROPOSED TYPICAL CROSS SECTION

STATION 334+16.00 TO STATION 349+34.54
STATION 351+86.46 TO STATION 361+10.00



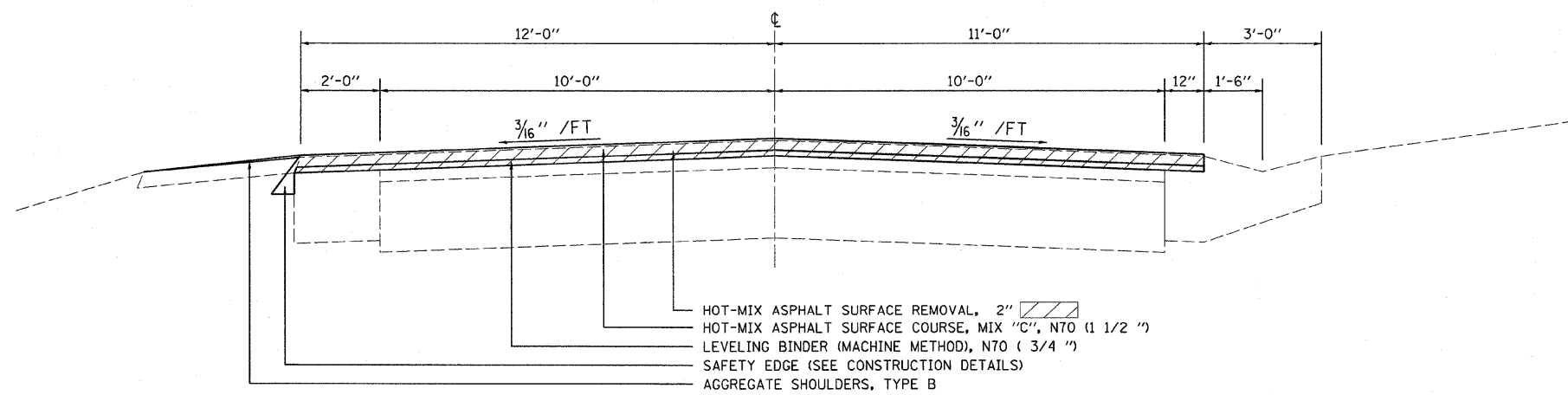
NOTE: NOT DRAWN TO SCALE

PAVING OMISSION

STATION 480+89.50 TO STATION 480+98.60

PROPOSED TYPICAL CROSS SECTION

STATION 472+00.00 TO STATION 480+89.50



NOTE: NOT DRAWN TO SCALE

FILE NAME =	USER NAME = swartzw	DESIGNED -	REVISED -	STATE OF ILLINOIS DEPARTMENT OF TRANSPORTATION	PROPOSED TYPICAL CROSS SECTION			F.A.S. RTE.	SECTION	COUNTY	TOTAL SHEETS	SHEET NO.	
c:\pw_work\pwidot\swartzw\d8242172\d77	507-shr-typicals.dgn	DRAWN -	REVISED -		SCALE: NA	SHEET NO. 3 OF 4 SHEETS	STA.	TO STA.	677	(15-2,15-1,15,11)RS-1	COLES	63	11
	PLOT SCALE = 20,0000 ' / IN.	CHECKED -	REVISED -										
	PLOT DATE = 1/31/2011	DATE -	REVISED -										
ILLINOIS FED. AID PROJECT													