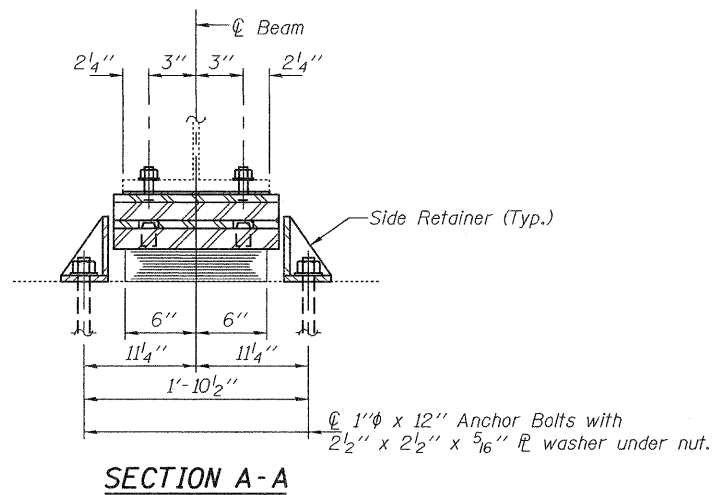


ELEVATION AT ABUTMENT

TYPE I ELASTOMERIC EXP. BRG.

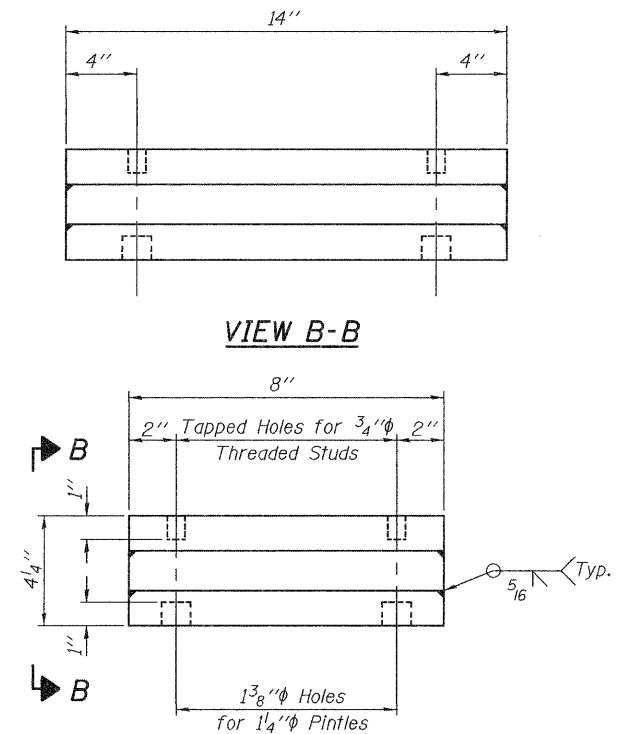


SECTION A-A

BEAM REACTIONS

RP	(K)	15.3
Rt	(K)	28.7
Imp.	(K)	7.6
R (Total)	(K)	51.6

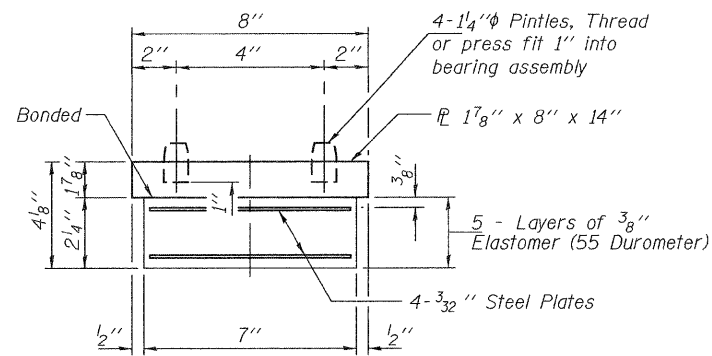
Notes:
 Diaphragm removal and reinstallation may be required to facilitate drilling holes. Cost included with Furnishing and Erecting Structural Steel.
 New steel extensions, shim plates and connection bolts are included with Furnishing and Erecting Structural Steel.
 Prior to ordering any material, the Contractor shall verify in the field all bearing height and shim thickness dimensions. Min. jack capacity = 30 Tons.
 Anchor bolts shall be ASTM F1554 all-thread (or an Engineer-approved alternate material) of the grade(s) and diameter(s) specified. ASTM A307 Grade C anchor bolts may be used in lieu of ASTM F1554 Grade 36 (Fy=36ksi). The corresponding specified grade of AASHTO M314 anchor bolts may be used in lieu of ASTM F1554.
 Drilled and set anchor bolts shall be installed according to Article 521.06 of the Standard Specifications.
 Side retainers shall be included in the cost of Elastomeric Bearing Assembly, Type I.



VIEW B-B

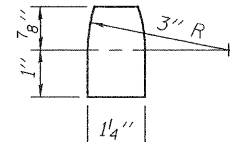
STEEL EXTENSION DETAIL

One or more plates may be used. Number of individual plates to be determined by fabricator. Minimum thickness of individual plates shall be 1 inch.

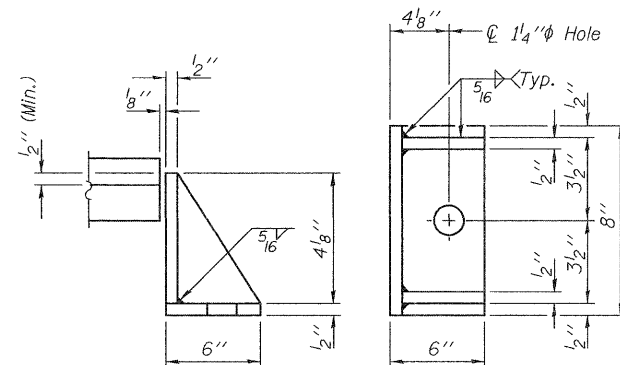


BEARING ASSEMBLY

Note:
 Shim plates shall not be placed under Bearing Assembly.

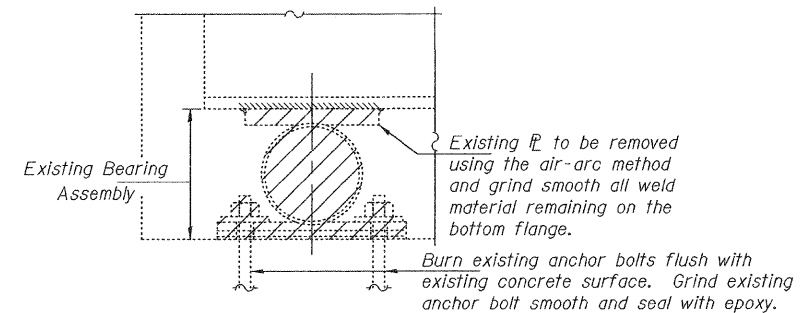


PINTLE



SIDE RETAINER

Equivalent rolled angle with stiffeners will be allowed in lieu of welded plates.



EXISTING BEARING REMOVAL DETAIL

Cost included with Jack and Remove Existing Bearings.

BILL OF MATERIAL

Item	Unit	Total
Elastomeric Bearing Assembly, Type I	Each	6
Jack and Remove Existing Bearings	Each	6
Furnishing and Erecting Structural Steel	Pound	870
Anchor Bolts 1 inch	Each	12

DESIGNED - ADY	EXAMINED - <i>Joyce F. Jelliffe</i>	DATE - MARCH 4, 2011
CHECKED - IJL	ACTING ENGINEER OF STRUCTURAL SERVICES	
DRAWN - Kyle M. Steffen	PASSED - <i>Carl Meyer</i>	
CHECKED - ADY IJL	ACTING ENGINEER OF BRIDGES AND STRUCTURES	

**STATE OF ILLINOIS
 DEPARTMENT OF TRANSPORTATION**

**BEARING REPLACEMENT DETAILS AT NORTH ABUTMENT
 SN 015-0036**

SHEET NO. 5 OF 10 SHEETS

F.A.S. RTE. 677	SECTION (15-2, 15-1, 15, 11)RS-1	COUNTY COLES	TOTAL SHEETS 63	SHEET NO. 43
			CONTRACT NO. 74507	
ILLINOIS FED. AID PROJECT				