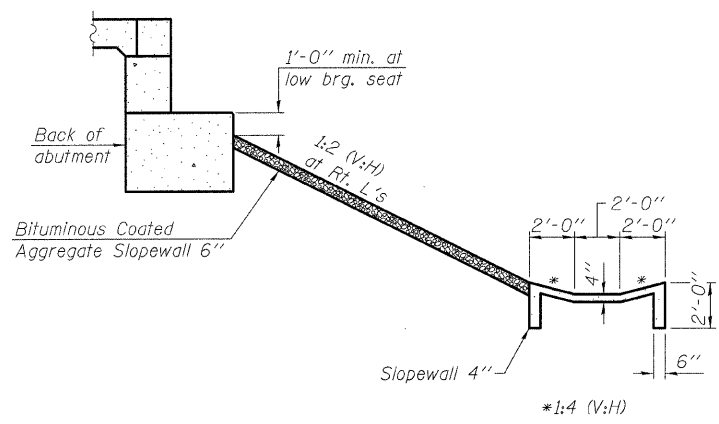
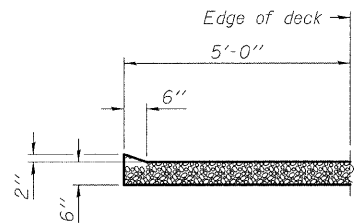


STATE OF ILLINOIS
DEPARTMENT OF TRANSPORTATION



SECTION A-A

Note:
Slope wall shall be reinforced with welded wire fabric, 6 in. x 6 in. -W4.0 x W4.0, weighing 58 lbs. per 100 sq. ft.



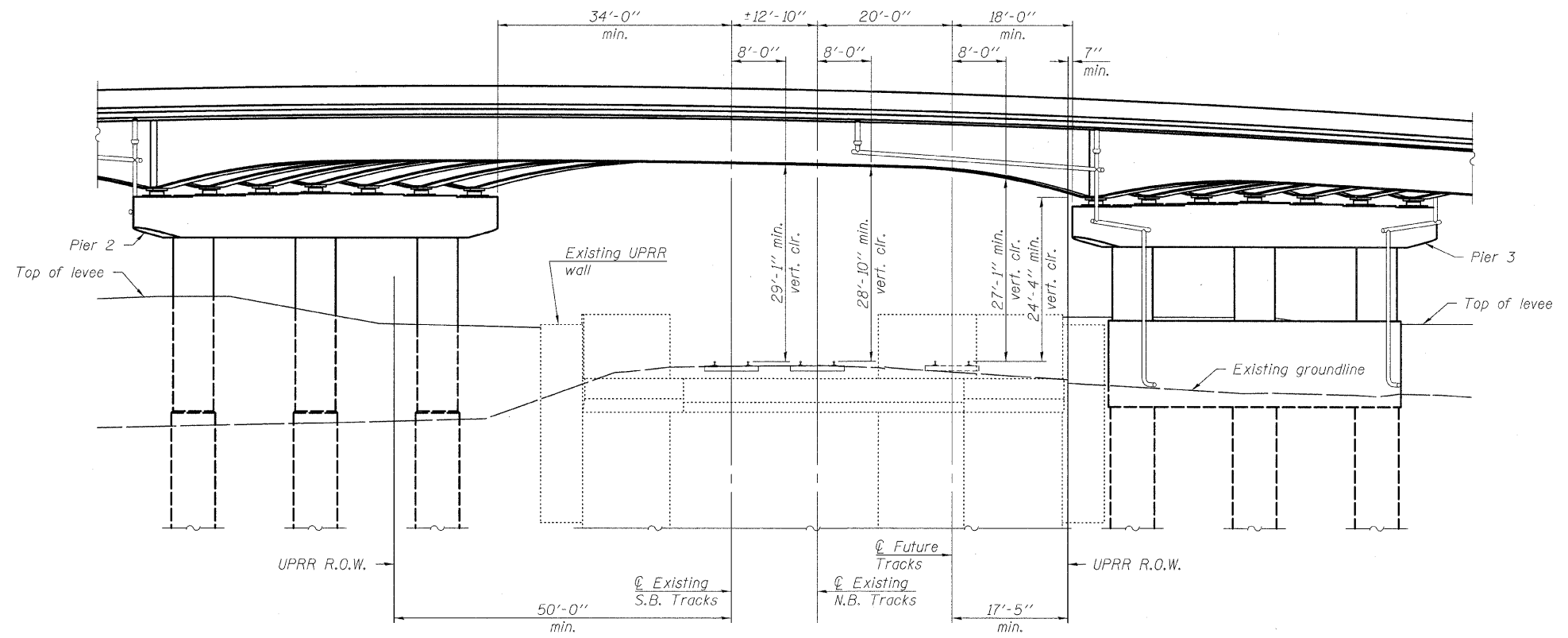
SECTION B-B

Sta. 290+00.00	Elev. 420.81
Sta. 291+00.00	Elev. 421.09
Sta. 292+00.00	Elev. 421.28
Sta. 293+00.00	Elev. 421.49
Sta. 294+00.00	Elev. 421.69
Sta. 295+00.00	Elev. 421.81
Sta. 296+00.00	Elev. 421.95
Sta. 297+00.00	Elev. 422.05
Sta. 298+00.00	Elev. 422.16
Sta. 299+00.00	Elev. 422.30
Sta. 300+00.00	Elev. 422.38
Sta. 301+00.00	Elev. 422.52
Sta. 302+00.00	Elev. 422.59
Sta. 303+00.00	Elev. 422.55
Sta. 304+00.00	Elev. 422.65
Sta. 305+00.00	Elev. 422.50
Sta. 306+00.00	Elev. 422.44
Sta. 307+00.00	Elev. 422.37
Sta. 308+00.00	Elev. 422.27
Sta. 309+00.00	Elev. 422.06
Sta. 310+00.00	Elev. 421.77
Sta. 311+00.00	Elev. 421.44
Sta. 312+00.00	Elev. 421.92
Sta. 313+00.00	Elev. 420.56
Sta. 314+00.00	Elev. 420.08
Sta. 315+00.00	Elev. 419.57
Sta. 316+00.00	Elev. 419.15
Sta. 317+00.00	Elev. 419.07
Sta. 318+00.00	Elev. 418.58

PROFILE GRADE
(Along southbound tracks of UPRR)

Sta. 290+00.00	Elev. 420.95
Sta. 291+00.00	Elev. 421.17
Sta. 292+00.00	Elev. 421.39
Sta. 293+00.00	Elev. 421.64
Sta. 294+00.00	Elev. 421.77
Sta. 295+00.00	Elev. 421.83
Sta. 296+00.00	Elev. 421.95
Sta. 297+00.00	Elev. 422.13
Sta. 298+00.00	Elev. 422.24
Sta. 299+00.00	Elev. 422.31
Sta. 300+00.00	Elev. 422.38
Sta. 301+00.00	Elev. 422.50
Sta. 302+00.00	Elev. 422.62
Sta. 303+00.00	Elev. 422.57
Sta. 304+00.00	Elev. 422.65
Sta. 305+00.00	Elev. 422.47
Sta. 306+00.00	Elev. 422.49
Sta. 307+00.00	Elev. 422.42
Sta. 308+00.00	Elev. 422.41
Sta. 309+00.00	Elev. 422.27
Sta. 310+00.00	Elev. 421.98
Sta. 311+00.00	Elev. 421.57
Sta. 312+00.00	Elev. 421.12
Sta. 313+00.00	Elev. 420.70
Sta. 314+00.00	Elev. 420.22
Sta. 315+00.00	Elev. 419.61
Sta. 316+00.00	Elev. 419.16
Sta. 317+00.00	Elev. 418.81
Sta. 318+00.00	Elev. 418.59

PROFILE GRADE
(Along northbound tracks of UPRR)



PARTIAL ELEVATION
(Looking North along @ Tracks, showing Span 3)

Notes:
Horizontal dimensions shown at Rt. L's to @ Tracks.
Horizontal dimensions from @ Tracks to UPRR R.O.W. are measured near Piers 2 and 3, respectively.
Existing roadway structure not shown for clarity.

DESIGNED	EML
CHECKED	KAK
DRAWN	EML
CHECKED	JJD

GENERAL DATA
STRUCTURE NO. 082-0038

HORNER & SHIFRIN, INC.
ENGINEERS

SHEET NO. 3 48 SHEETS	F.A.P. RTE.	SECTION	COUNTY	TOTAL SHEETS	SHEET NO.
	312	64-1VBR	ST. CLAIR	259	55
			CONTRACT NO. 76882		
ILLINOIS FED. AID PROJECT					