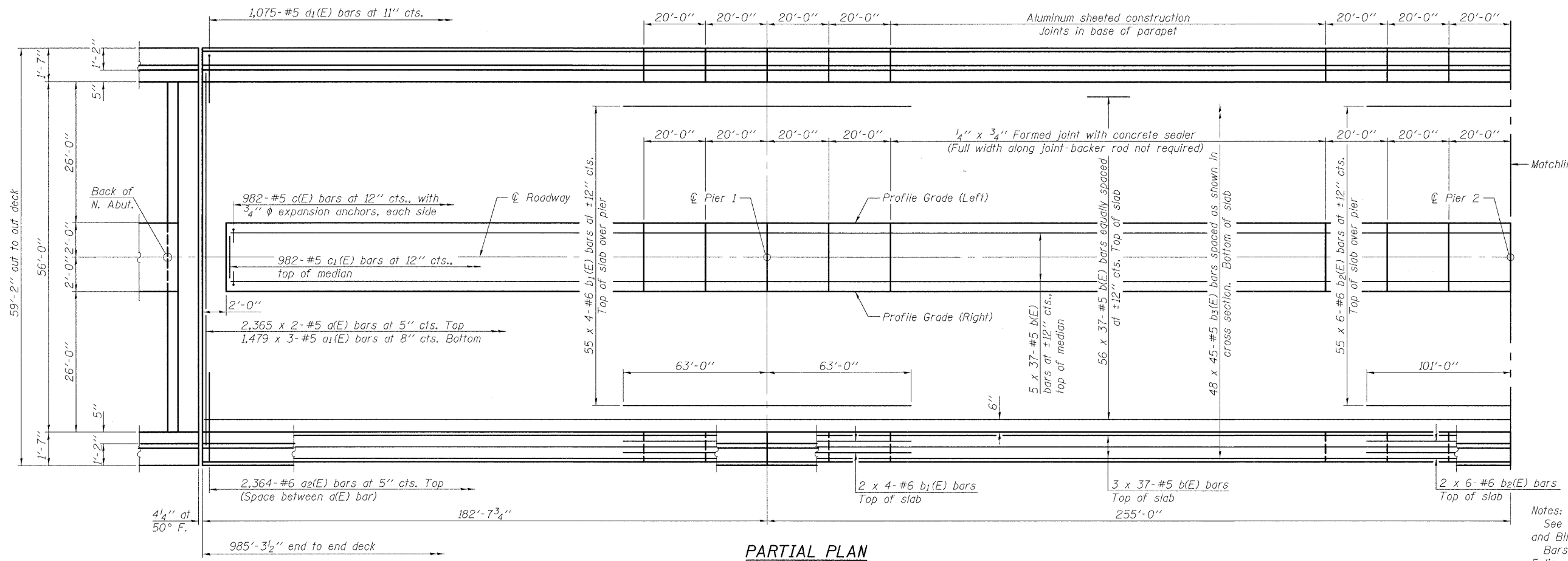


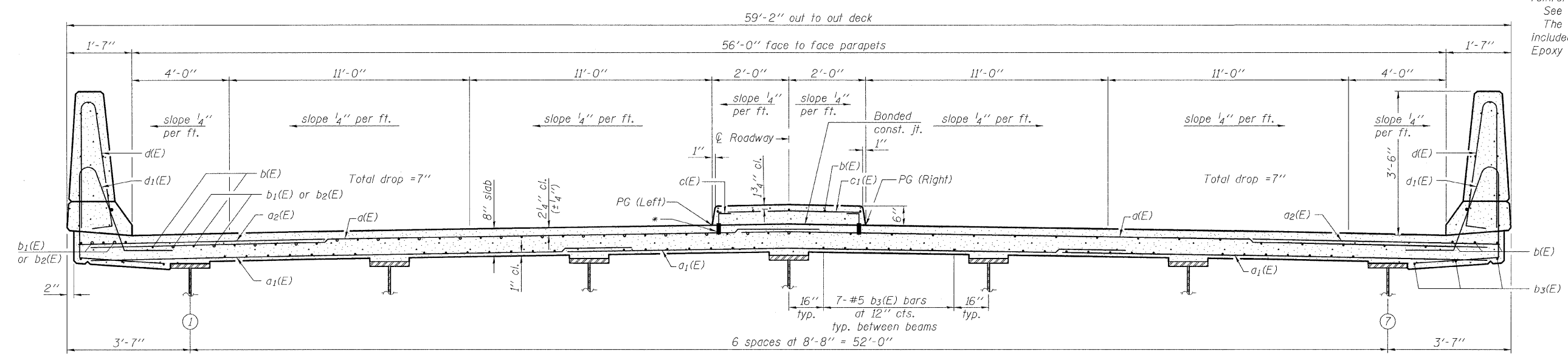
STATE OF ILLINOIS  
DEPARTMENT OF TRANSPORTATION



PARTIAL PLAN

**MINIMUM BAR LAP**  
#5 bar = 3'-3"  
#6 bar = 3'-10"

Notes:  
See sheet 18 of 48 for superstructure details and Bill of Material.  
Bars indicated thus 5 x 37-#5 etc. indicates 5 lines of bars with 37 lengths per line.  
See sheets 17 thru 18 of 48 for parapet reinforcement.  
See sheet 16 of 48 for spans 3 and 4.  
The cost of expansion anchors/inserts is included in the cost of Reinforcement Bars, Epoxy coated.



CROSS SECTION  
(Looking South)

NEAR PIER

NEAR MIDSPAN

**SUPERSTRUCTURE**  
**STRUCTURE NO. 082-0038**

DESIGNED	JJD
CHECKED	EML
DRAWN	AJF
CHECKED	JJD

\*3/4" Galvanized expansion anchor or Ferrule loop slab insert (proof load 6,600 lbs.)



SHEET NO. 15 48 SHEETS	F.A.P. RTE. 312	SECTION 64-1VBR	COUNTY ST. CLAIR	TOTAL SHEETS 259	SHEET NO. 67
	CONTRACT NO. 76882				
ILLINOIS FED. AID PROJECT					