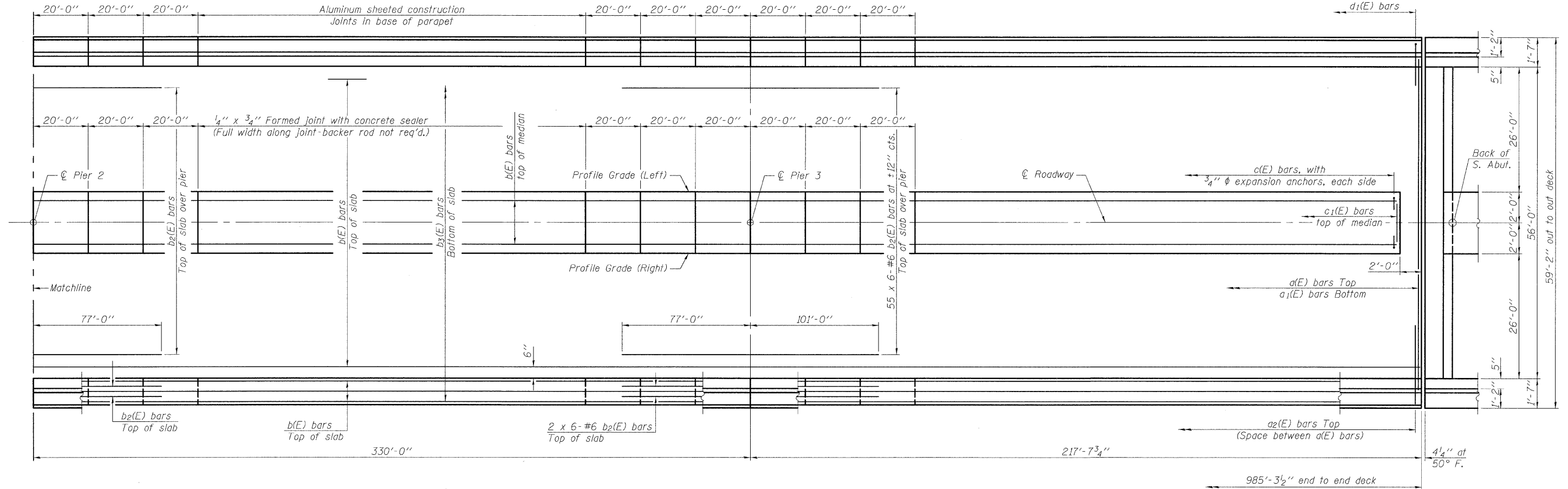
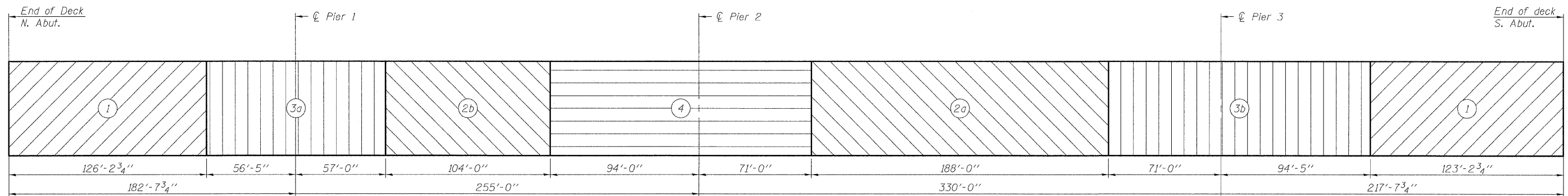


STATE OF ILLINOIS
DEPARTMENT OF TRANSPORTATION



PARTIAL PLAN



DECK POURING SEQUENCE

Notes:
See sheet 15 of 48 for spans 1 and 2.
When the deck pour is stopped for the day at one or more of the transverse bonded construction joints in the deck pouring sequence as shown above, the next pour shall not be made until both of the following are met:

1. At least 72 hours shall have elapsed from the end of the previous pour.
2. The concrete strength shall have attained a minimum flexural strength of 650 psi or a minimum compressive strength of 3500 psi.
Numbers within the deck pouring sequence indicate the number of pours as well as the sequence used to calculate the "Top of Slab Elevations". Letters within the second and third pours indicate the pours can be subdivided further but re-analysis of the "Top of Slab Elevations" will be required.

DESIGNED	JJD
CHECKED	EML
DRAWN	AJF
CHECKED	JJD

SUPERSTRUCTURE
STRUCTURE NO. 082-0038

HORNER & SHIFRIN, INC.
ENGINEERS

SHEET NO. 16 48 SHEETS	F.A.P. RTE. 312	SECTION 64-1VBR	COUNTY ST. CLAIR	TOTAL SHEETS 259	SHEET NO. 68
	CONTRACT NO. 76882				
ILLINOIS FED. AID PROJECT					