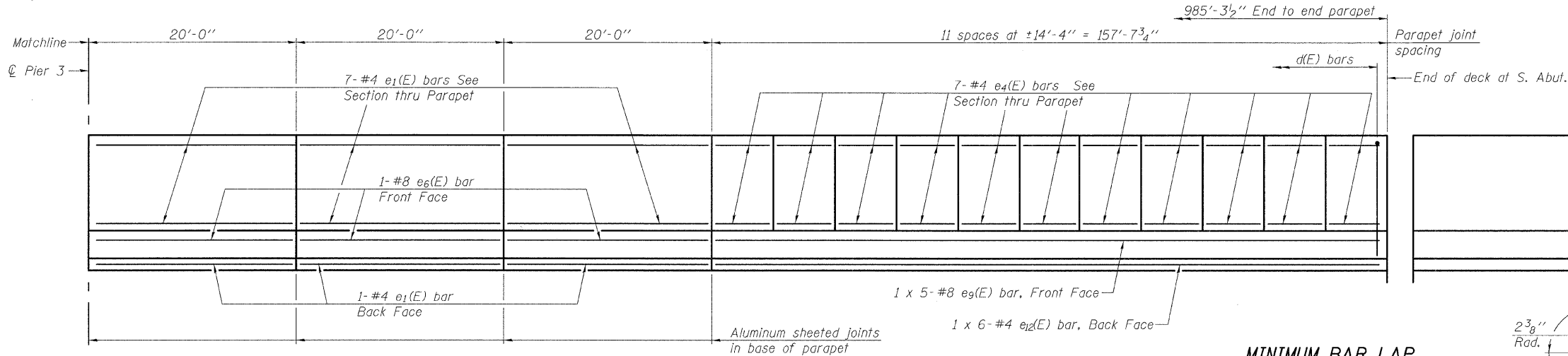
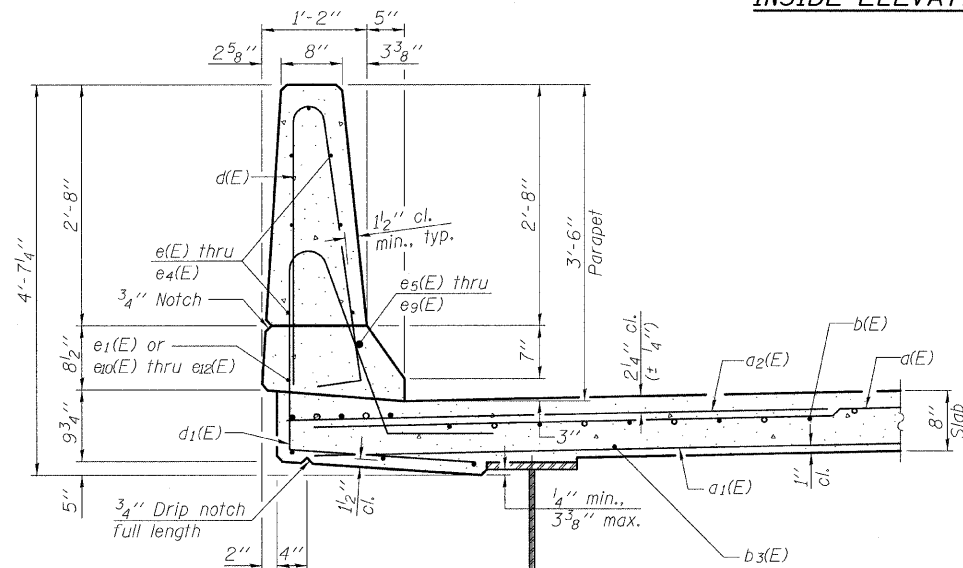


STATE OF ILLINOIS  
DEPARTMENT OF TRANSPORTATION

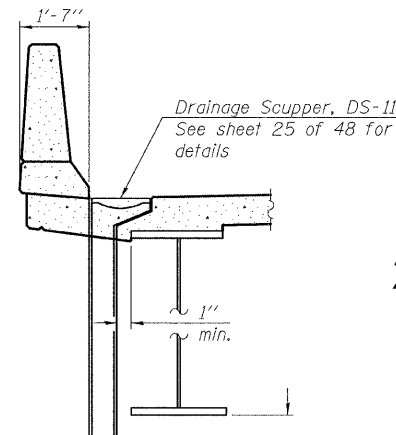


INSIDE ELEVATION OF PARAPET - SPAN 4

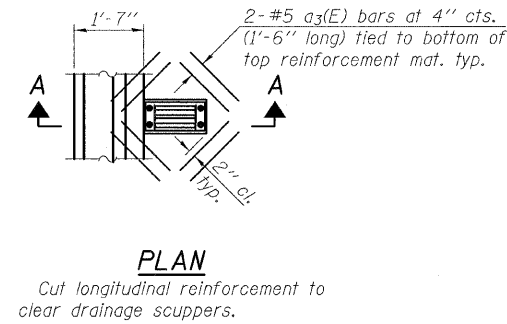
**MINIMUM BAR LAP**  
(Parapet)  
#4 bar = 2'-0"  
#8 bar = 5'-2"



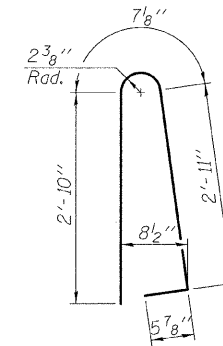
SECTION THRU PARAPET



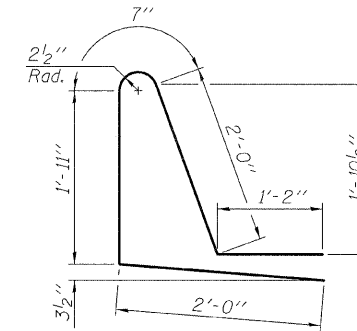
SECTION A-A



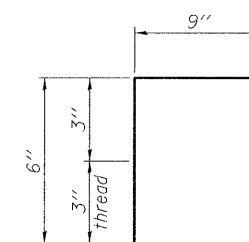
PLAN



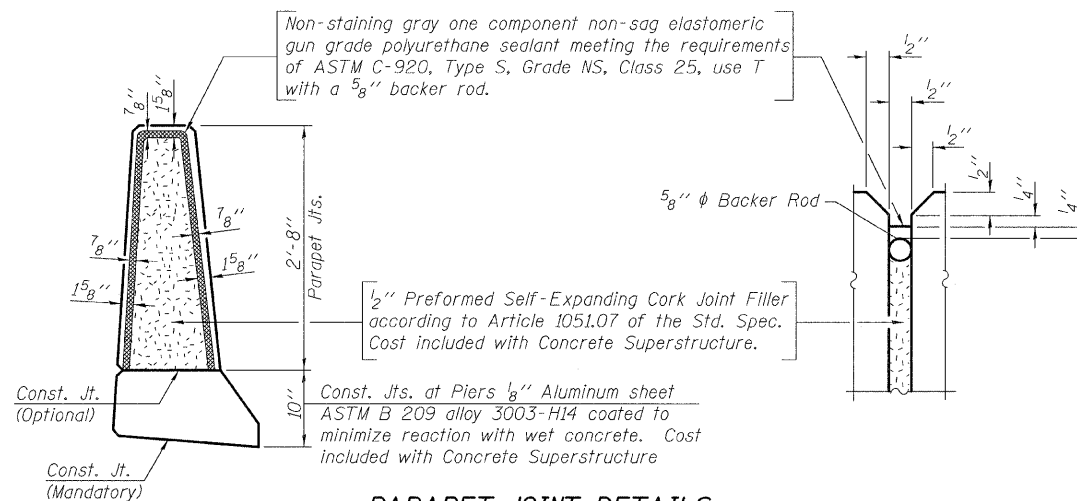
BAR d(E)



BAR d1(E)



BAR c(E)



PARAPET JOINT DETAILS

**SUPERSTRUCTURE  
BILL OF MATERIAL**

Bar	No.	Size	Length	Shape
a(E)	4,730	#5	31'-0"	—
a1(E)	4,437	#5	21'-8"	—
a2(E)	4,728	#6	6'-6"	—
a3(E)	144	#5	1'-6"	—
b(E)	2,479	#5	30'-0"	—
b1(E)	236	#6	34'-5"	—
b2(E)	708	#6	33'-0"	—
b3(E)	2,160	#5	25'-1"	—
c(E)	1,964	#5	1'-3"	┌
c1(E)	982	#5	3'-6"	—
d(E)	2,150	#5	6'-10"	└
d1(E)	2,150	#5	7'-8"	└
e(E)	112	#4	17'-6"	—
e1(E)	256	#4	19'-8"	—
e2(E)	140	#4	15'-2"	—
e3(E)	168	#4	17'-2"	—
e4(E)	154	#4	14'-0"	—
e5(E)	10	#8	32'-8"	—
e6(E)	32	#8	19'-8"	—
e7(E)	10	#8	35'-1"	—
e8(E)	14	#8	34'-5"	—
e9(E)	10	#8	35'-8"	—
ea(E)	12	#4	25'-5"	—
eb(E)	12	#4	27'-6"	—
ec(E)	28	#4	28'-0"	—
Reinforcement Bars, Epoxy Coated			Pound	535,770
Concrete Superstructure			Cu. Yds.	1,885.4

Bars indicated thus 1 x 5 - #8 etc. indicates 1 line of bars with 5 lengths per line.

**SUPERSTRUCTURE DETAILS  
STRUCTURE NO. 082-0038**

DESIGNED	JJD
CHECKED	EML
DRAWN	AJF
CHECKED	JJD

**HORNER &  
SHIFRIN, INC.  
ENGINEERS**

SHEET NO. 18 48 SHEETS	F.A.P. RTE. 312	SECTION 64-1VBR	COUNTY ST. CLAIR	TOTAL SHEETS 259	SHEET NO. 70
	CONTRACT NO. 76882				
ILLINOIS FED. AID PROJECT					