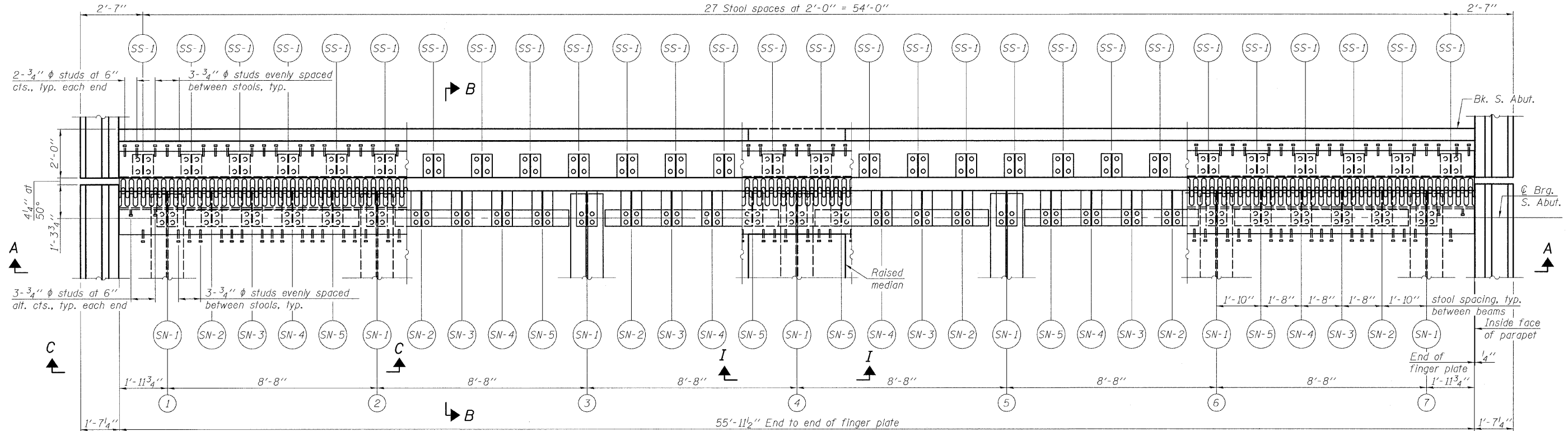
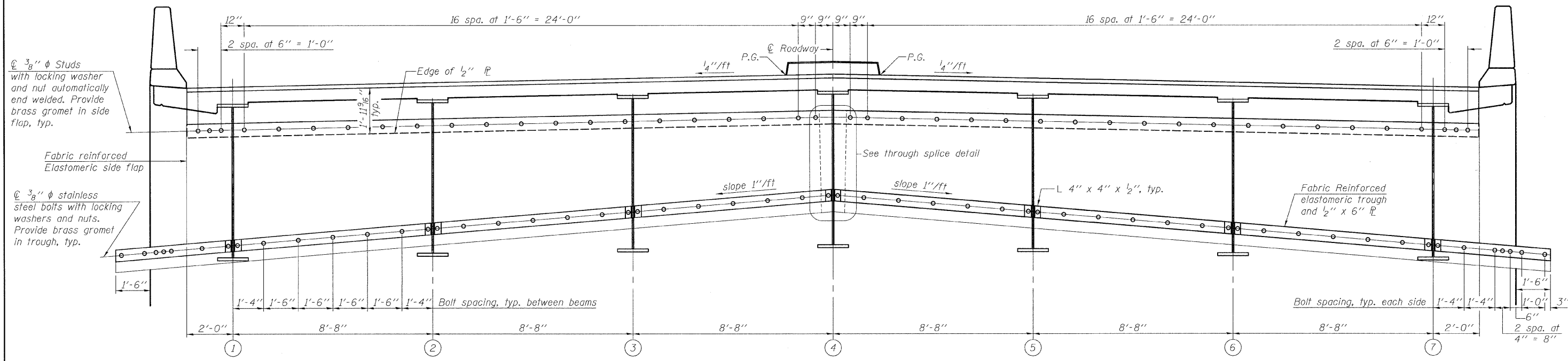


STATE OF ILLINOIS
DEPARTMENT OF TRANSPORTATION

27 Stool spaces at 2'-0" = 54'-0"



PLAN AT SOUTH ABUTMENT



SECTION A-A

SOUTH ABUTMENT FINGER PLATE
EXPANSION JOINT DETAILS
STRUCTURE NO. 082-0038

DESIGNED	KAK
CHECKED	JJD
DRAWN	KAK/AJF
CHECKED	JJD

Notes:
See sheet 23 of 48 for Section B-B and trough splice detail.
See sheet 24 of 48 for Section C-C and Section I-I.

**HORNER &
SHIFRIN, INC.**
ENGINEERS

SHEET NO. 22 48 SHEETS	F.A.P. RTE.	SECTION	COUNTY	TOTAL SHEETS	SHEET NO.
	312	64-1VBR	ST. CLAIR	259	74
CONTRACT NO. 76882					
ILLINOIS FED. AID PROJECT					