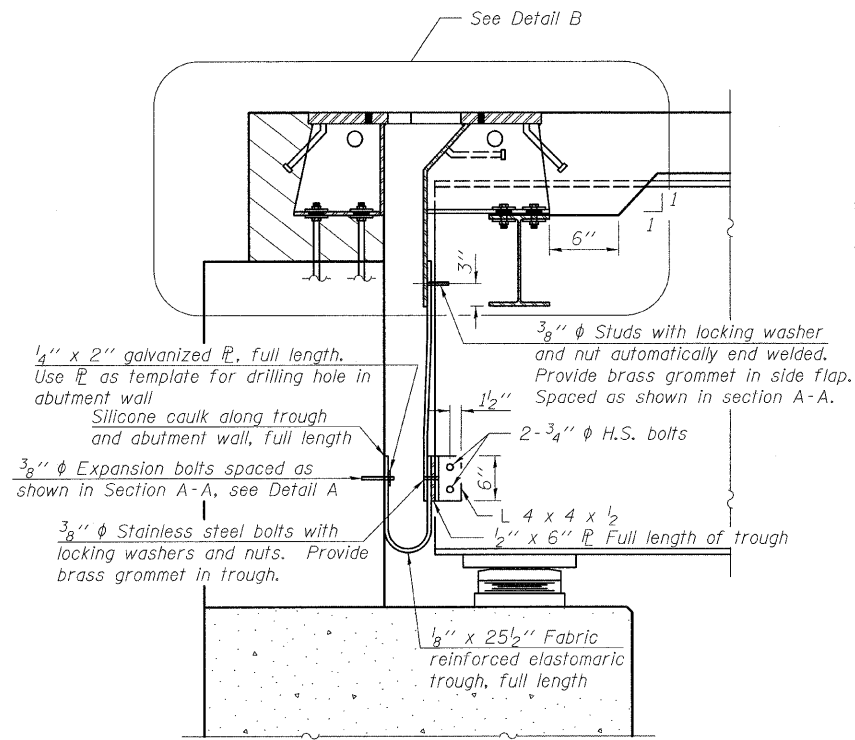
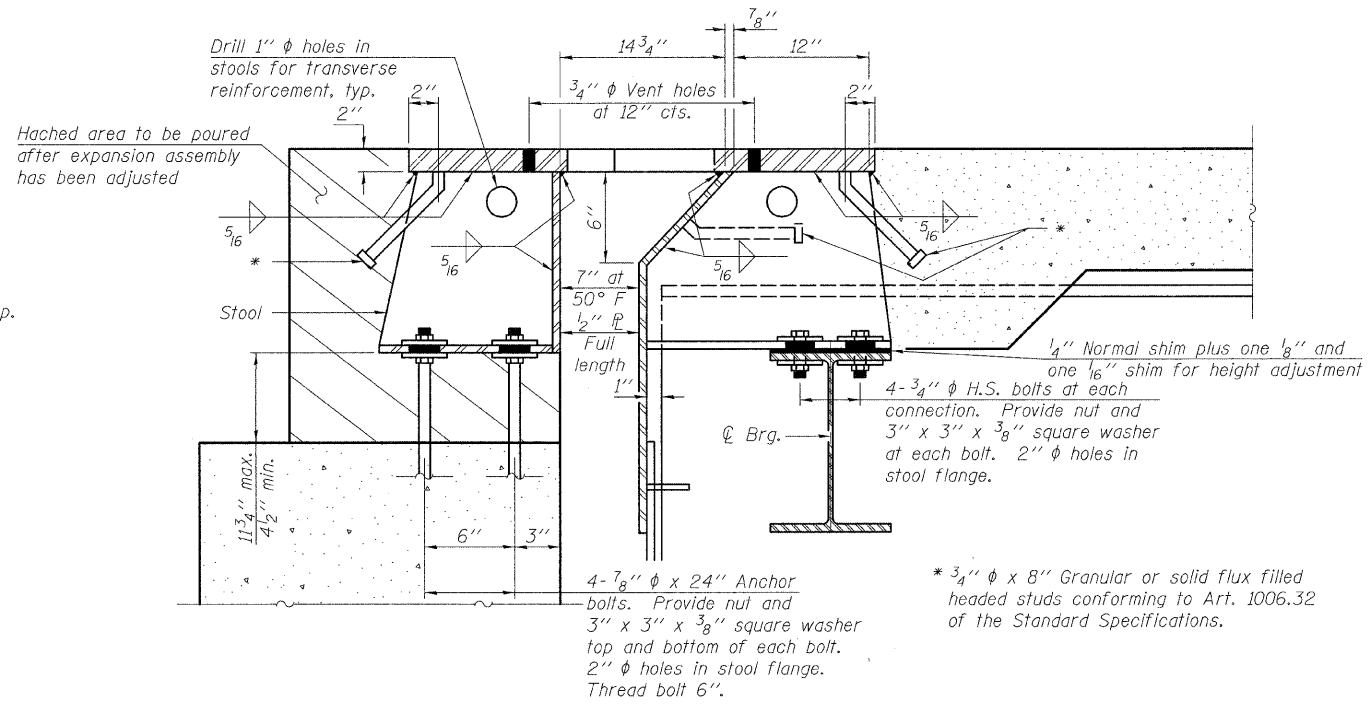


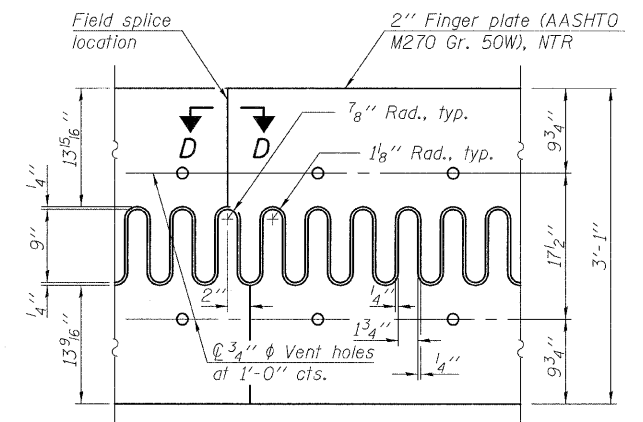
STATE OF ILLINOIS
DEPARTMENT OF TRANSPORTATION



SECTION B-B

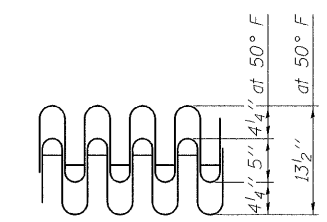


DETAIL B

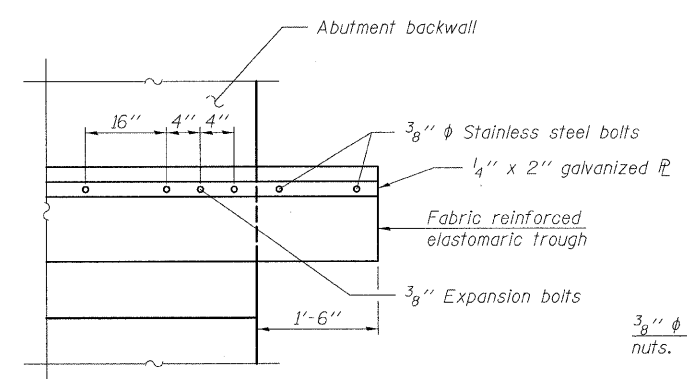


FLAME CUTTING DIAGRAM

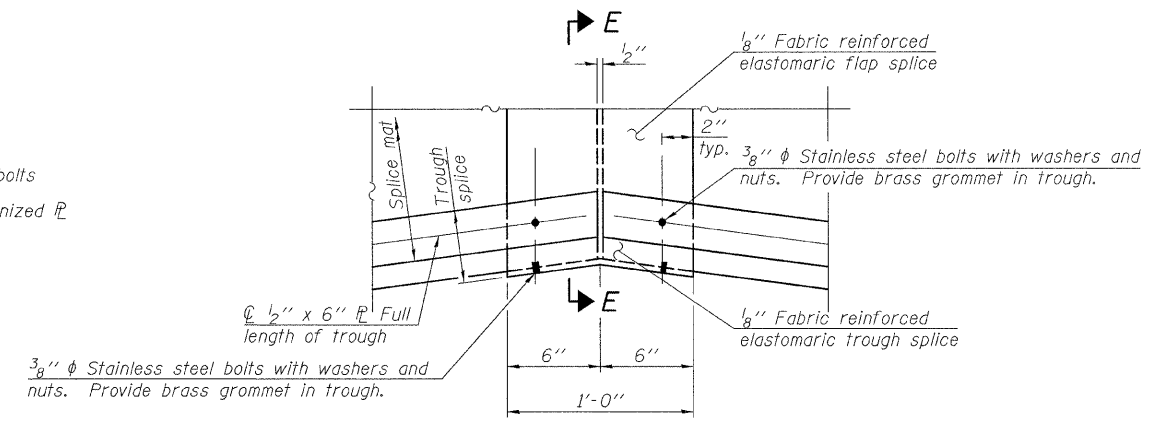
"NTR" denotes plates to which notch toughness requirements are applicable.



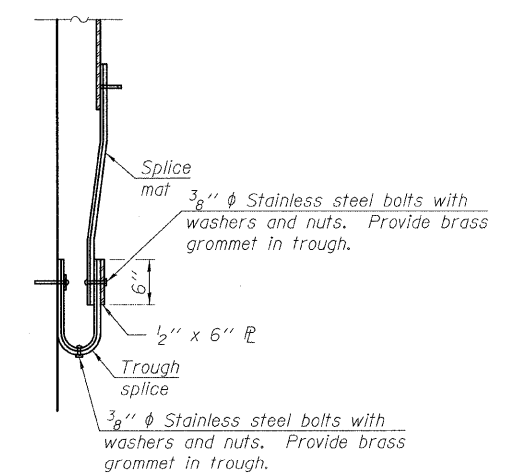
FINGER PLATE SETTING DIAGRAM



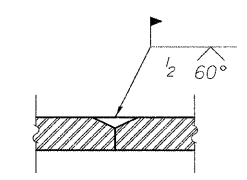
DETAIL A



TROUGH SPLICE DETAIL



SECTION E-E



SECTION D-D

Notes:
Finger plate expansion joints shall be assembled in their final relative position with ends in place for shop inspection and acceptance.
The Contractor shall determine the location(s) of the field splice(s) on the finger plate and trough, and coordinate with the fabricator.

FINGER PLATE EXPANSION
JOINT DETAILS
STRUCTURE NO. 082-0038

DESIGNED	KAK
CHECKED	JJD
DRAWN	AJF
CHECKED	JJD



SHEET NO. 23 48 SHEETS	F.A.P. RTE. 312	SECTION 64-1VBR	COUNTY ST. CLAIR	TOTAL SHEETS 259	SHEET NO. 75
	CONTRACT NO. 76882 ILLINOIS FED. AID PROJECT				