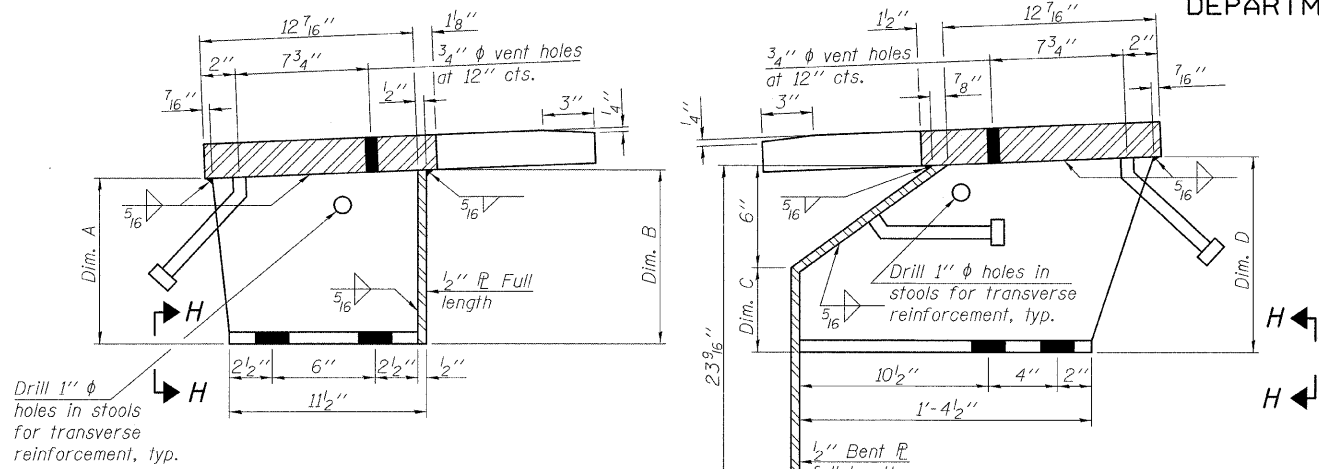
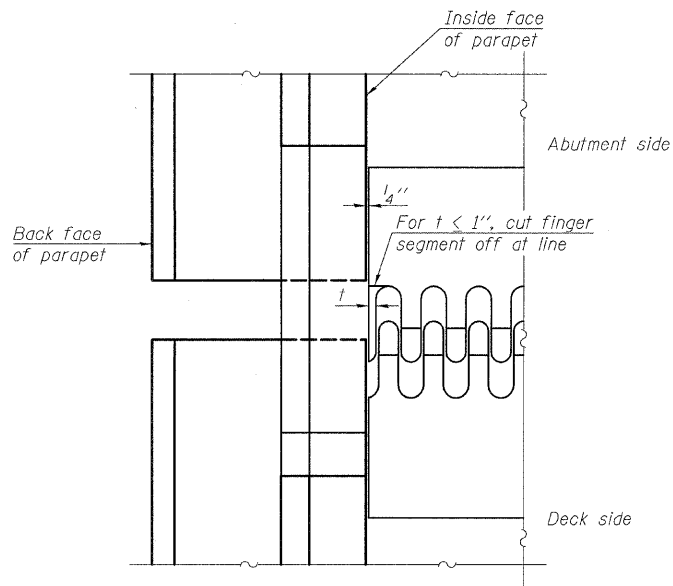


STATE OF ILLINOIS
DEPARTMENT OF TRANSPORTATION

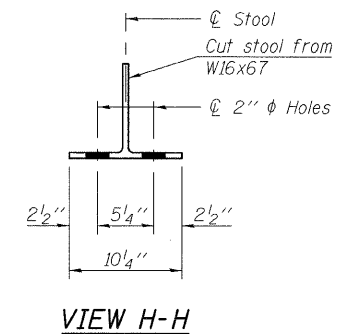


STOOLS NN-1 & SS-1

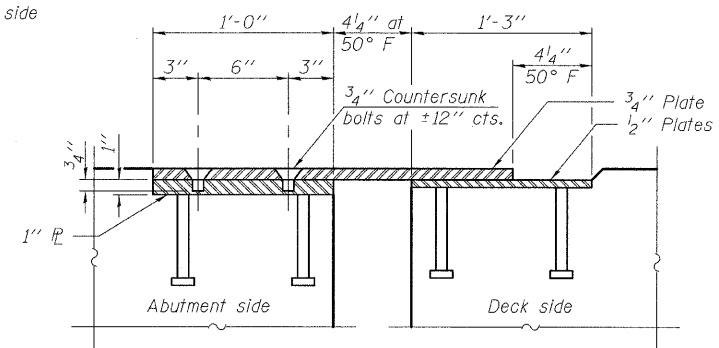
STOOLS NS-1 THRU NS-5
AND SN-1 THRU SN-5



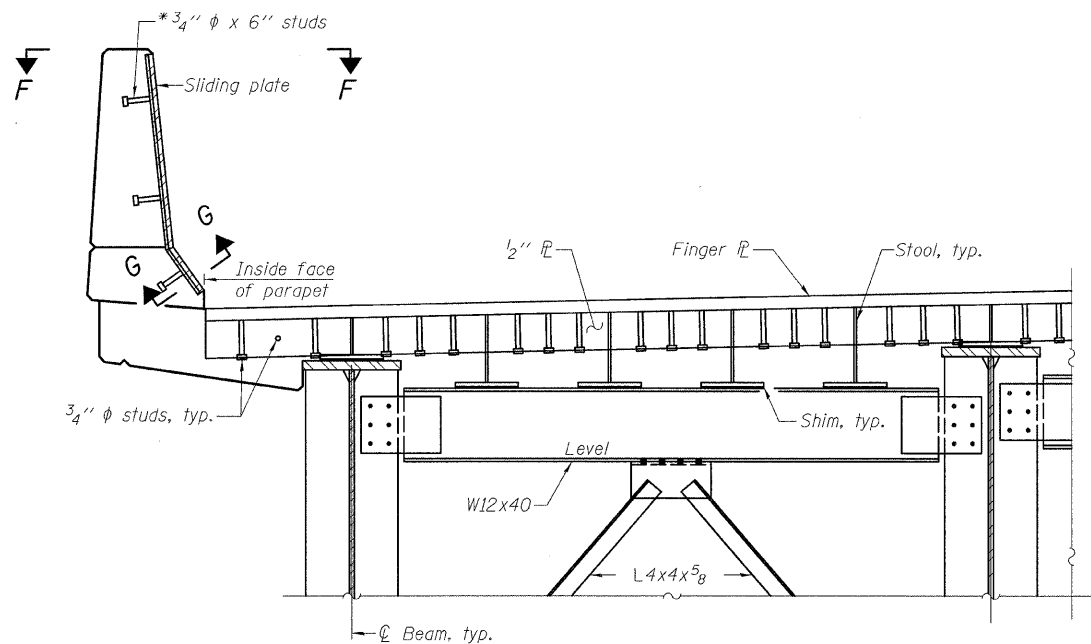
VIEW F-F



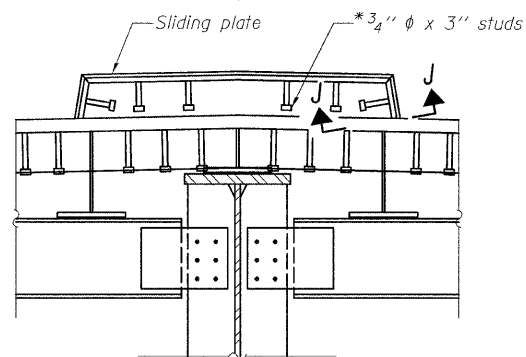
VIEW H-H



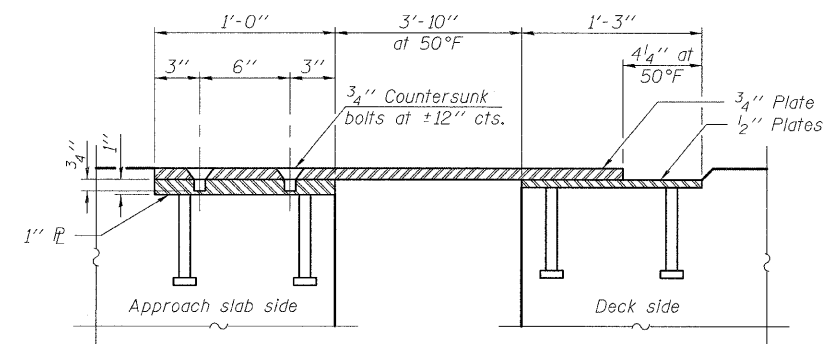
SECTION G-G



SECTION C-C



SECTION I-I



SECTION J-J

TABLE OF VARIABLE DIMENSIONS

Stool	Dim. A	Dim. B	Dim. C	Dim. D
NN-1	9 1/16"	10 3/16"	---	---
NS-1	---	---	5 5/8"	6 3/4"
NS-2	---	---	5 5/8"	11 5/8"
NS-3	---	---	5 13/16"	12 5/16"
NS-4	---	---	6 3/8"	12 3/4"
NS-5	---	---	6 3/8"	13 3/8"
SN-1	---	---	5 1/8"	6 1/16"
SN-2	---	---	5 3/8"	11 5/8"
SN-3	---	---	5 13/16"	12 3/4"
SN-4	---	---	6 4"	12 11/16"
SN-5	---	---	6 3/8"	13 3/8"
SS-1	9 5/8"	10 1/16"	---	---

* Granular or solid flux filled headed studs conforming to Art. 1006.32 of the Standard Specifications.

DESIGNED KAK
CHECKED JJD
DRAWN KAK/AJF
CHECKED JJD

BILL OF MATERIAL

Item	Unit	Quantity
Finger Plate Expansion Joint, 4"	Foot	112
Fabric Reinforced Elastomeric Trough	Foot	124

FINGER PLATE EXPANSION
JOINT DETAILS
STRUCTURE NO. 082-0038

HORNER &
SHIFRIN, INC.
ENGINEERS

SHEET NO. 24 48 SHEETS	F.A.P. RTE. 312	SECTION 64-1VBR	COUNTY ST. CLAIR	TOTAL SHEETS 259	SHEET NO. 76
	CONTRACT NO. 76882				
ILLINOIS FED. AID PROJECT					