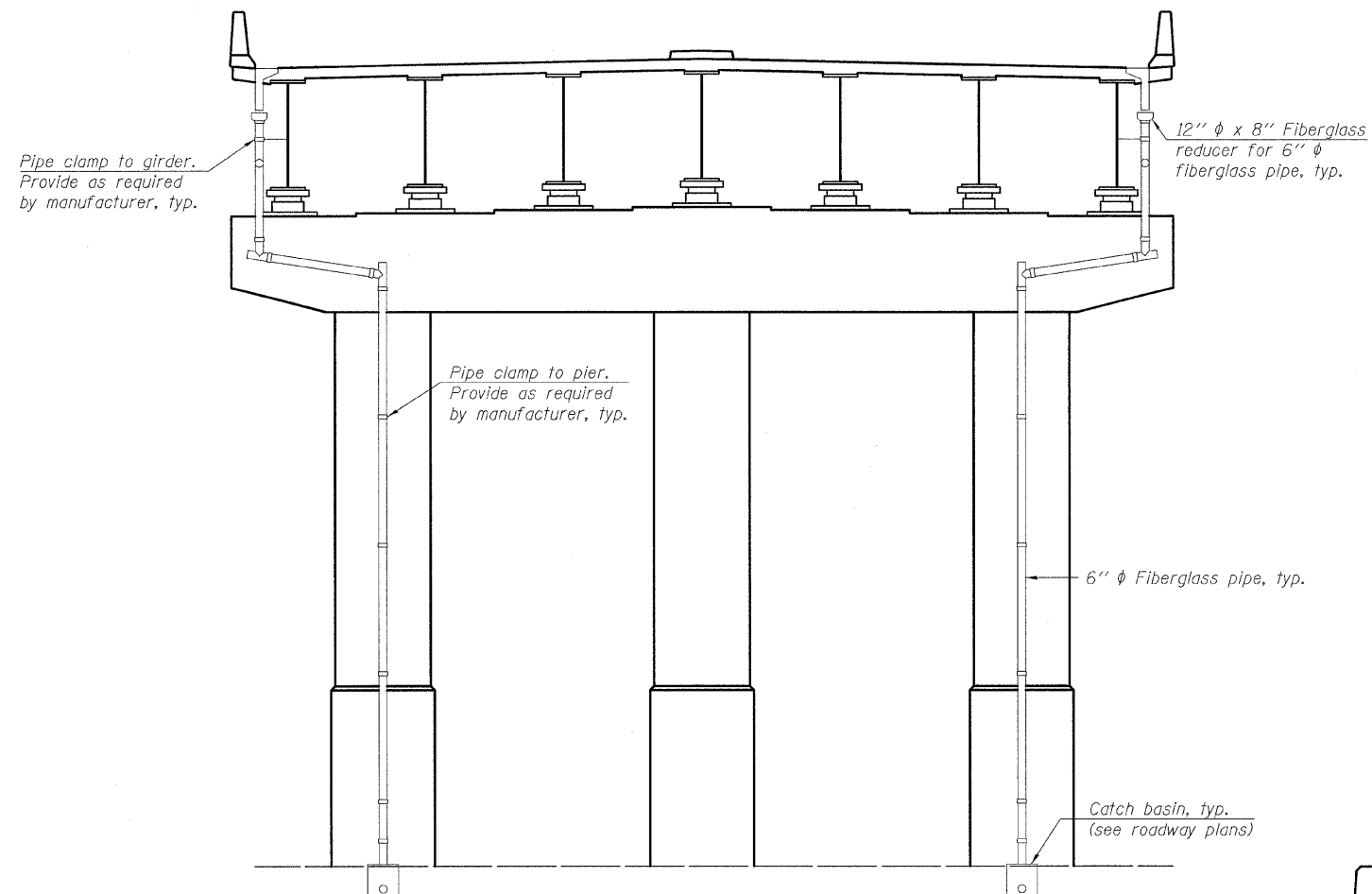
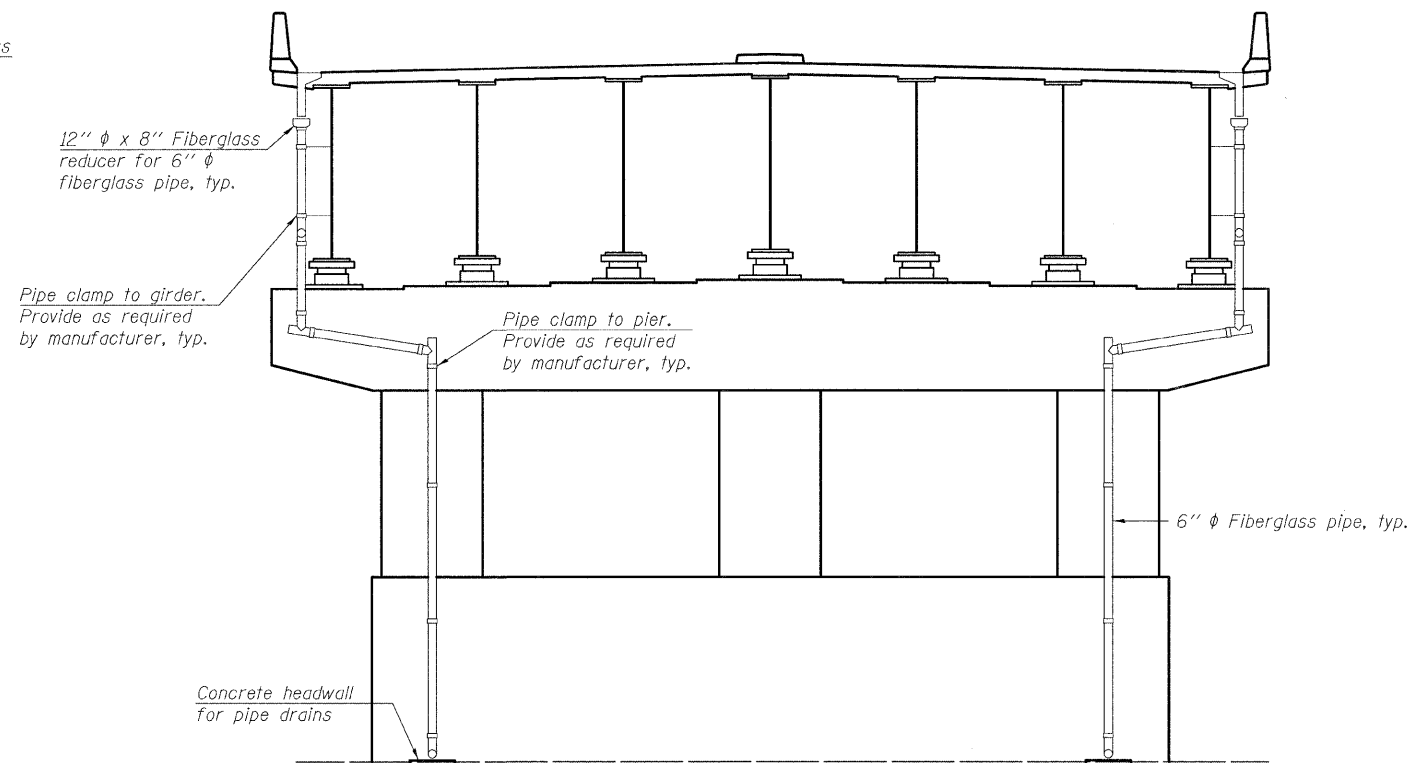


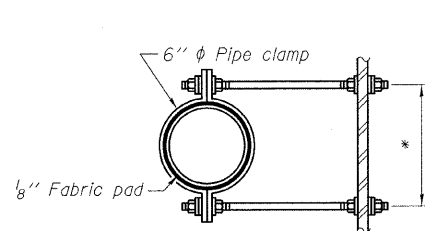
STATE OF ILLINOIS
DEPARTMENT OF TRANSPORTATION



SECTION A-A

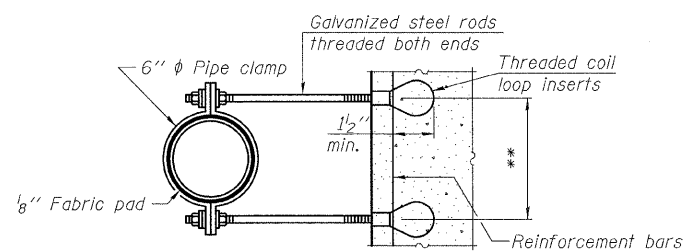


SECTION C-C



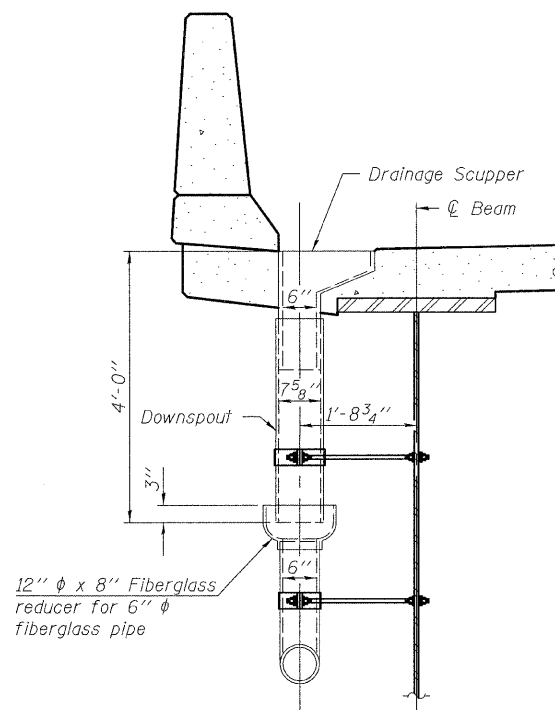
PIPE CLAMP DETAIL
AT GIRDER

* Dimension as required
by pipe clamp.



PIPE CLAMP DETAIL
FOR PIER

**Dimension as required
by pipe clamp.



PARTIAL SECTION B-B

Notes:

- The exterior surfaces of the furnished fiberglass pipe shall be coated or pigmented by the manufacturer with a color that matches the color of concrete.
- Fiberglass pipe shall conform to ASTM D2996, with short-time rupture strength hoop tensile stress of 30,000 psi minimum. The surface of the fiberglass pipe shall be free of bond inhibiting agents.
- The clamping device and inserts shall be galvanized according to AASHTO 232. Space pipe clamp to miss reinforcement.
- The cost of pipe, reducers, clamps, attachment hardware, fabric pad, concrete headwall and installation is included with "Drainage System".
- The holes for the pipe clamp shall be detailed on the girder shop drawings.
- For location of Section A-A, see sheet 26 of 48.
- For location of Section B-B, see sheets 26 and 27 of 48.
- For location of Section C-C, see sheet 27 of 48.

BILL OF MATERIAL

ITEM	UNIT	QUANTITY
Drainage System	L Sum	1

DRAINAGE SYSTEM DETAILS
STRUCTURE NO. 082-0038

DESIGNED	EML
CHECKED	JJD
DRAWN	EML/AJF
CHECKED	JJD

**HORNER &
SHIFRIN, INC.**
ENGINEERS

SHEET NO. 28 48 SHEETS	F.A.P. RTE. 312	SECTION 64-1VBR	COUNTY ST. CLAIR	TOTAL SHEETS 259	SHEET NO. 80
	CONTRACT NO. 76882				
ILLINOIS FED. AID PROJECT					