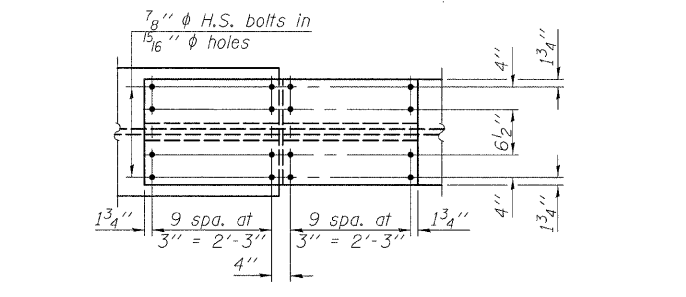
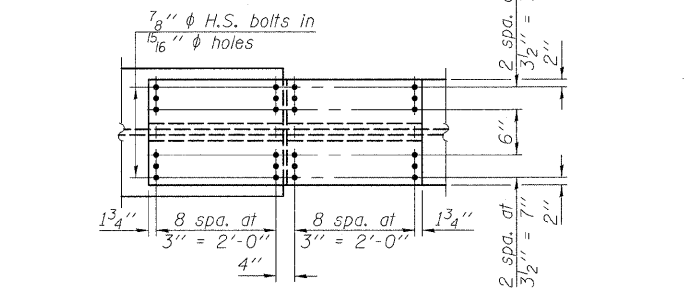
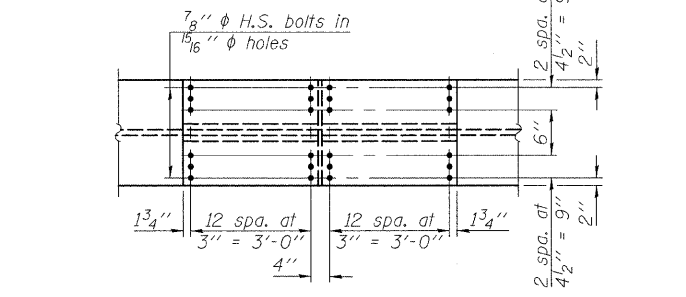
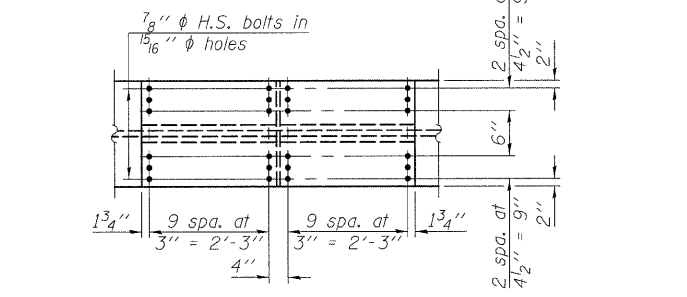
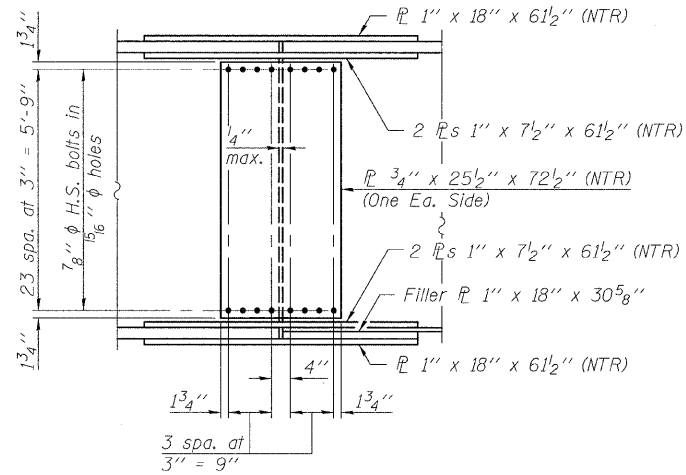
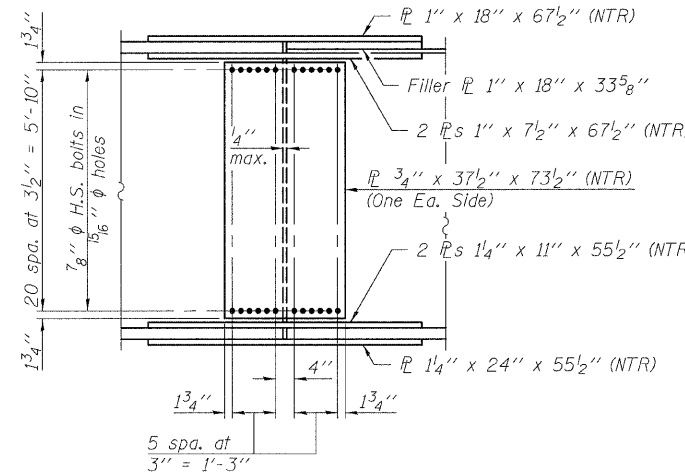
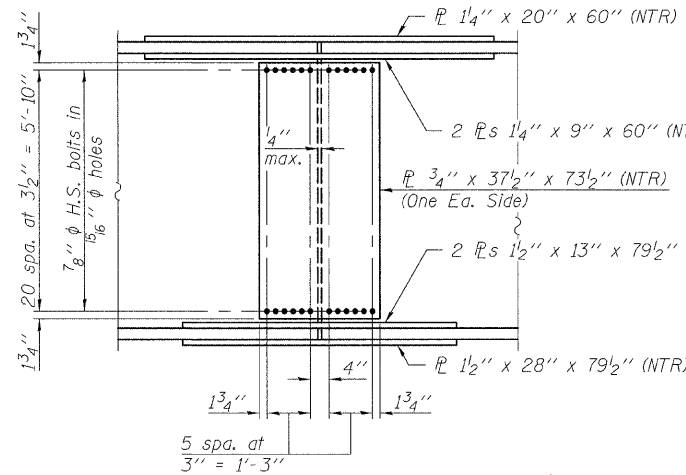
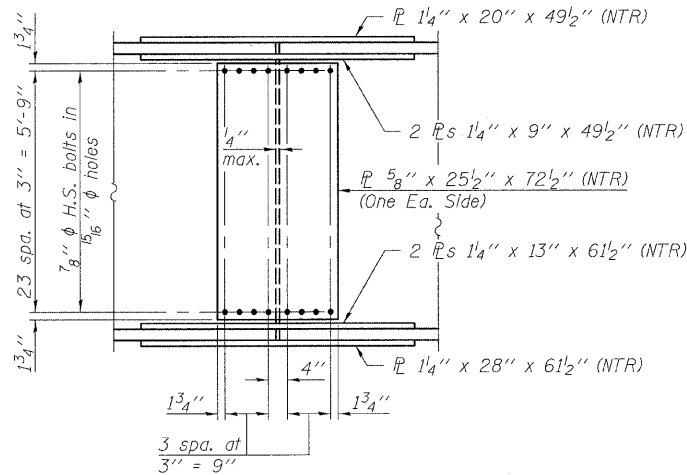
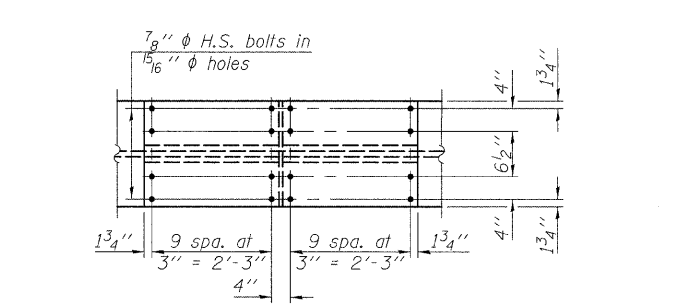
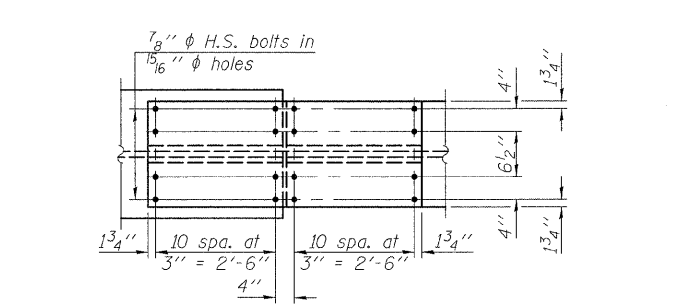
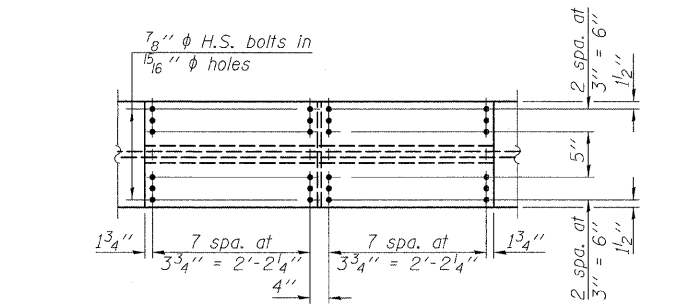
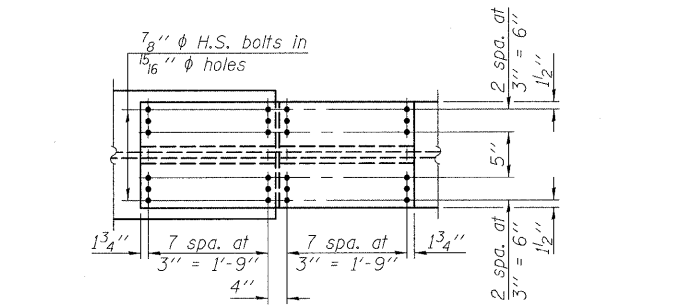


STATE OF ILLINOIS
DEPARTMENT OF TRANSPORTATION

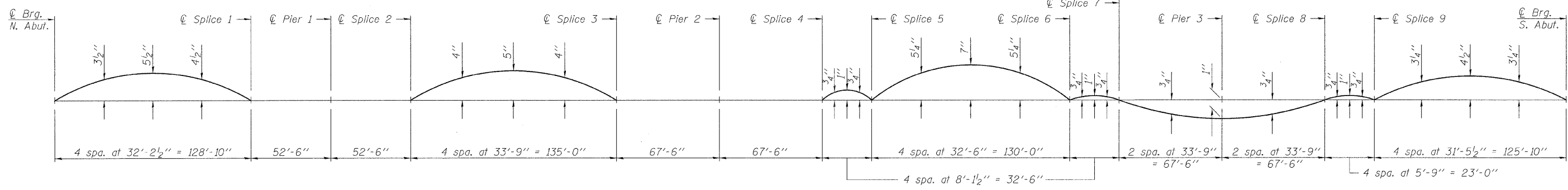


FIELD SPLICES 4 & 7 DETAIL
(14 Required)

FIELD SPLICES 5 & 6 DETAIL
(14 Required)

FIELD SPLICE 8 DETAIL
(7 Required)

FIELD SPLICE 9 DETAIL
(7 Required)



CAMBER DIAGRAM

STRUCTURAL STEEL DETAILS
STRUCTURE NO. 082-0038

DESIGNED	EML
CHECKED	JJD
DRAWN	EML
CHECKED	JJD



SHEET NO. 33 48 SHEETS	F.A.P. RTE. 312	SECTION 64-1VBR	COUNTY ST. CLAIR	TOTAL SHEETS 259	SHEET NO. 85
	CONTRACT NO. 76882				
ILLINOIS FED. AID PROJECT					