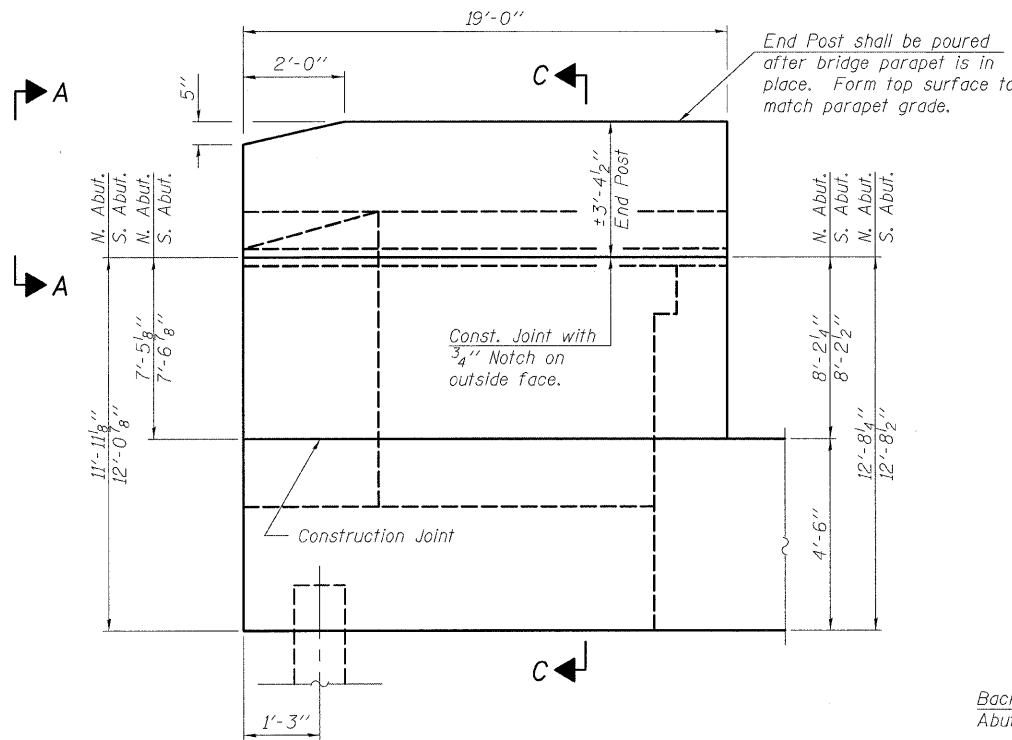
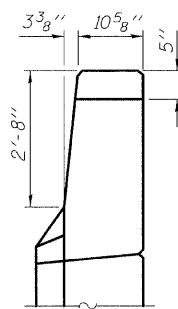


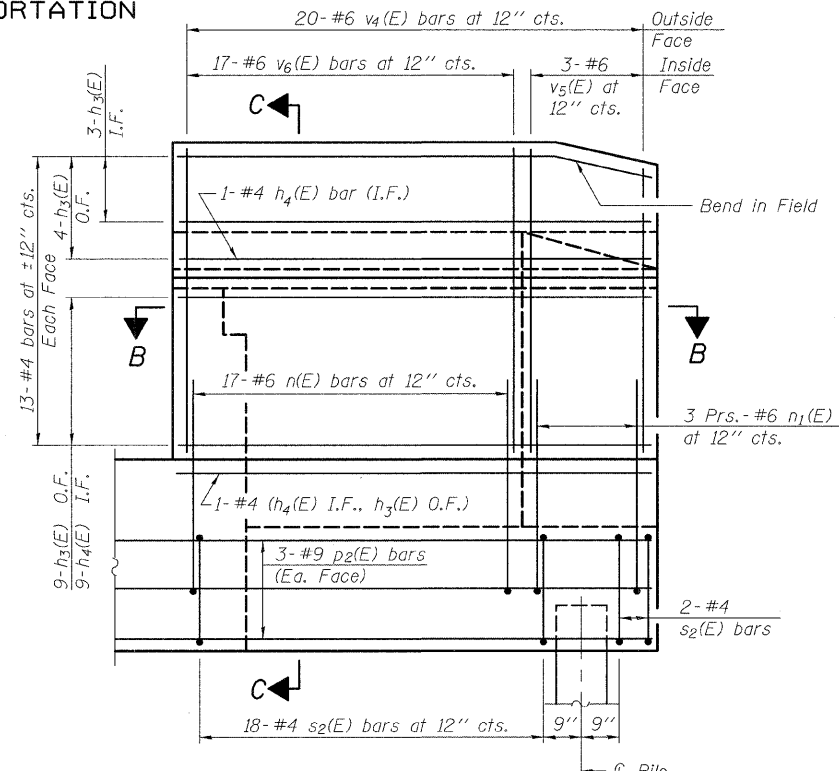
STATE OF ILLINOIS  
DEPARTMENT OF TRANSPORTATION



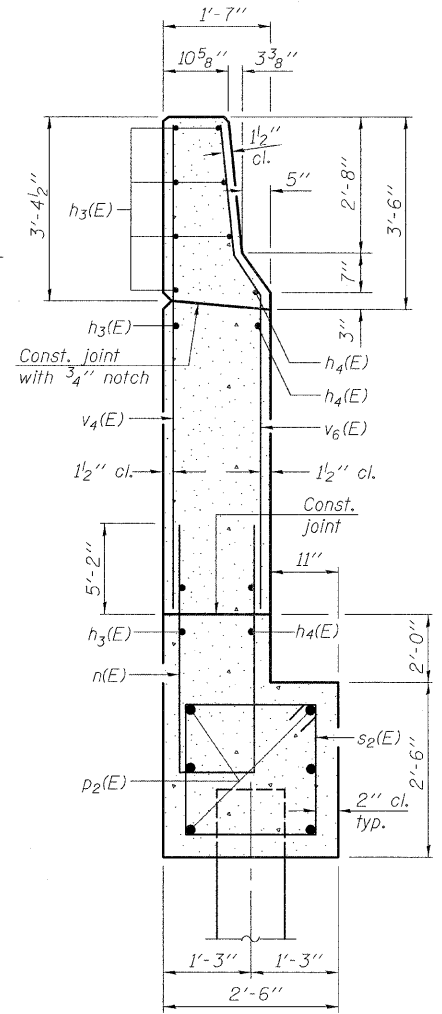
**WING WALL ELEVATION**  
Showing Dimensions



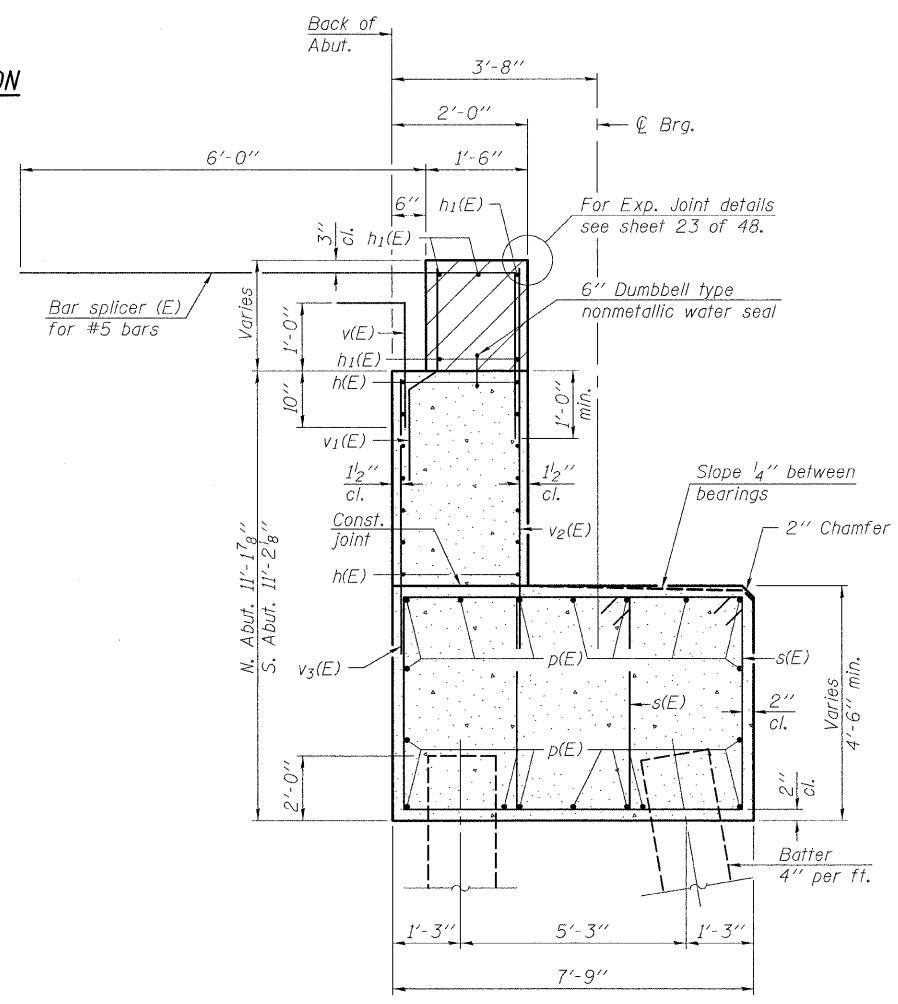
**VIEW A-A**



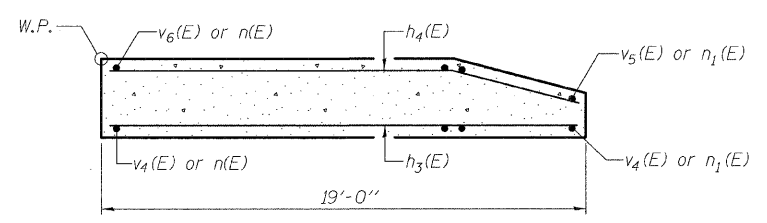
**WING WALL ELEVATION**  
Showing Reinforcement



**SECTION C-C**



**SEC. THRU ABUT.**



**SECTION B-B**

Notes:  
Hatched area to be poured after superstructure false work has been removed. Quantity of concrete included with Concrete Superstructure.  
Space reinforcement in cap to miss anchor bolts.  
Pour steps monolithically with cap.  
Quantity of concrete in end post included with Concrete Superstructure on sheet 18 of 48.  
For metal shell pile details, see sheet 42 of 48.  
Concrete sealer shall be applied to the backwall, bridge seat, and front face of both the North & South Abutments.  
For Bar Splicers details, see sheet 43 of 48.

DESIGNED	KAK
CHECKED	EML
DRAWN	AJF
CHECKED	EML

**ABUTMENT DETAILS**  
**STRUCTURE NO. 082-0038**

**HORNER & SHIFRIN, INC.**  
ENGINEERS

SHEET NO. 38 48 SHEETS	F.A.P. RTE. 312	SECTION 64-1VBR	COUNTY ST. CLAIR	TOTAL SHEETS 259	SHEET NO. 90
	CONTRACT NO. 76882				
ILLINOIS FED. AID PROJECT					