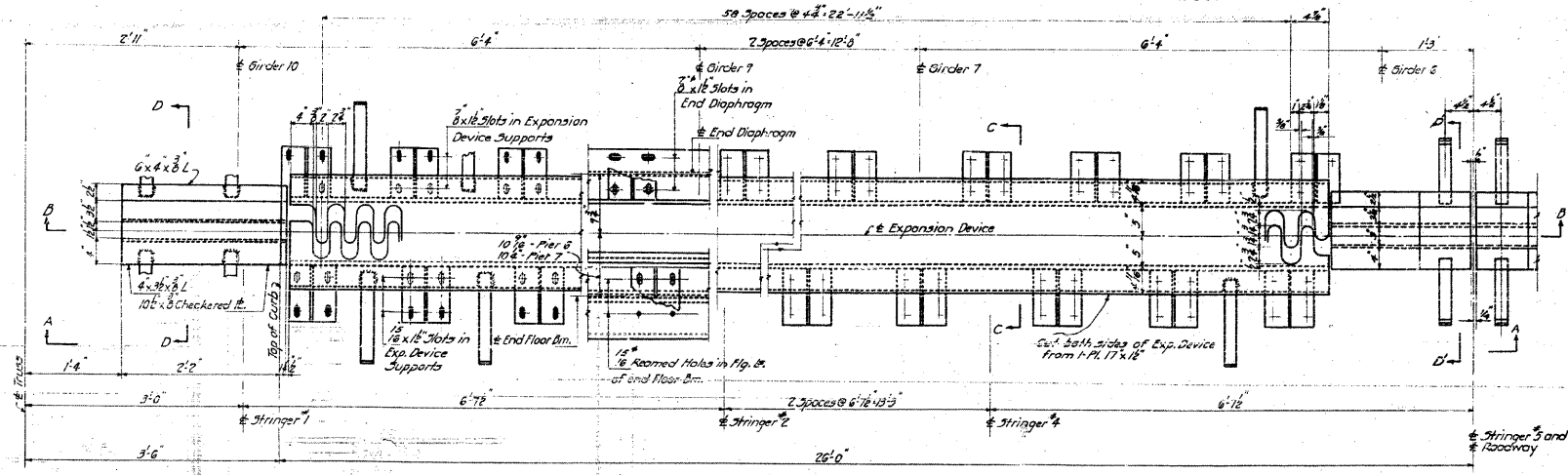
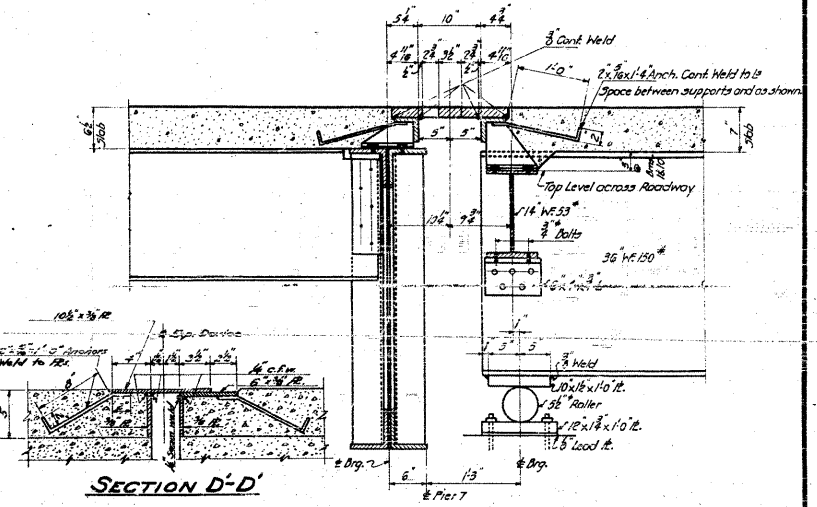


STATE OF ILLINOIS
DEPARTMENT OF PUBLIC WORKS & BUILDINGS
DIVISION OF HIGHWAYS

ROAD DIST. NO.	SECTION	COUNTY	TOTAL SHEETS	SHEET NO.
4	64-IVBR	ST. CLAIR	15	16
SHEET NO. 16				
30 SHEETS				

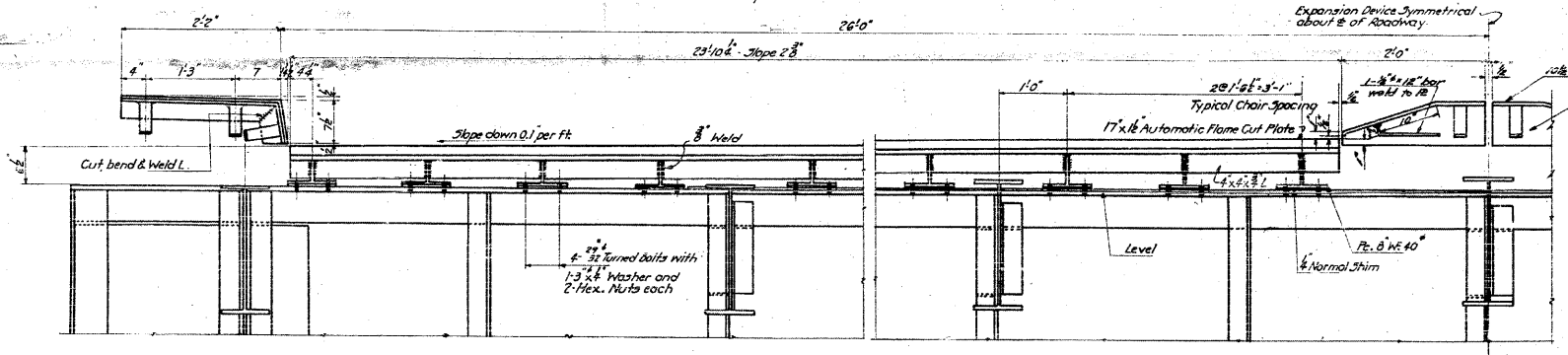


PLAN OF EXPANSION DEVICE AT PIER 6
Expansion Device of Pier 7 Similar



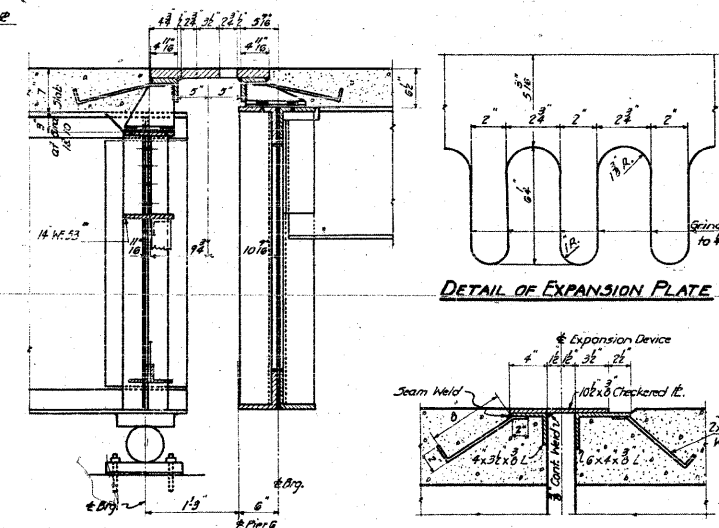
SECTION D-D

SECTION C-C AT PIER 7



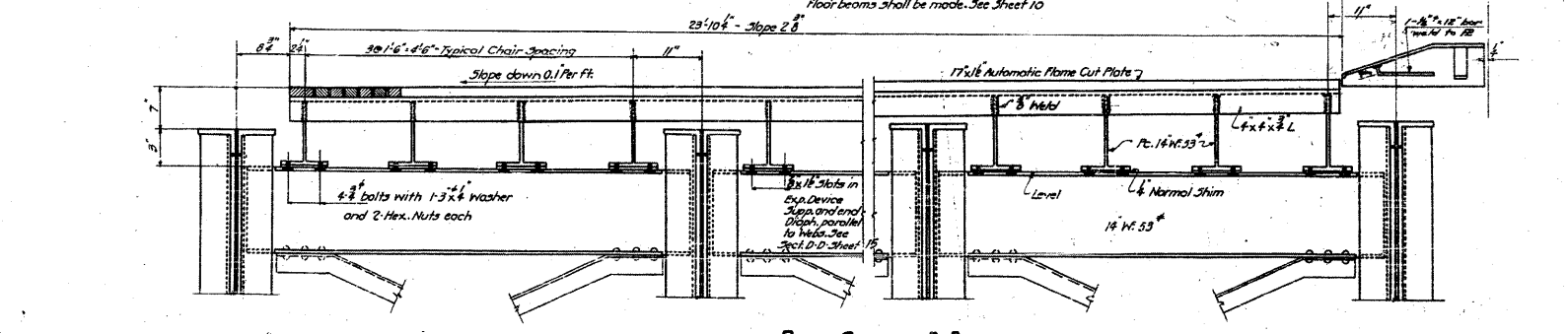
SECTION A-A

Note: Compensation for D.L. Deflection of End Floor Beams shall be made. See Sheet 10



SECTION C-C AT PIER 6

DETAIL OF EXPANSION PLATE



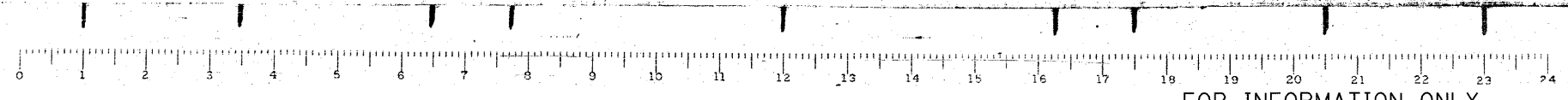
PART SECTION B-B

Exp. Device of Pier 6 Shown Device of Pier 7 Similar

Estimated weight of Expansion Devices Pier 6 & 7 included in Bill of Material Sheet 2. @ Structural Steel Carbon 17,010 lbs.

COMPUTED	W. J. Miller	EXAMINED	B-10 1954
CHECKED	W. M. Sommer	ENGINEER OF BRIDGE AND TRUSS STRUCTURES	W. E. Hanson
DRAWN	W. J. Miller	PASSED	[Signature]
CHECKED	W. J. Miller	APPROVED	R. R. [Signature]
ASSEMBLED			
CHECKED			

EXPANSION DEVICES - PIERS 6 & 7
GRADE SEPARATION
MISSOURI PACIFIC R.R.
NORTH OF DUPO
F.A. ROUTE 4 - SEC. 64 NW 1/4 E.
ST. CLAIR COUNTY



CB Coombe-Bloxdorf P.C.
- CIVIL ENGINEERS -
- STRUCTURAL ENGINEERS -
- LAND SURVEYORS -
Design Firm License No. 184-002703